

ASSEMBLY INSTRUCTIONS

Gnome tree, art. no. 4594-20

All installations, inspections, maintenance and operations have to be done according to the guidelines of the EN1176-7 !

The complete assembly instructions, the maintenance guidelines and the maintenance printout have to be forwarded to the operator !



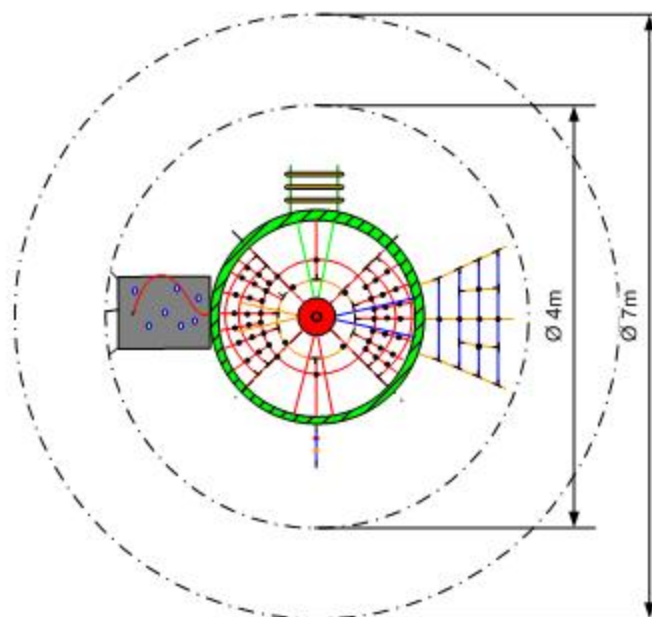
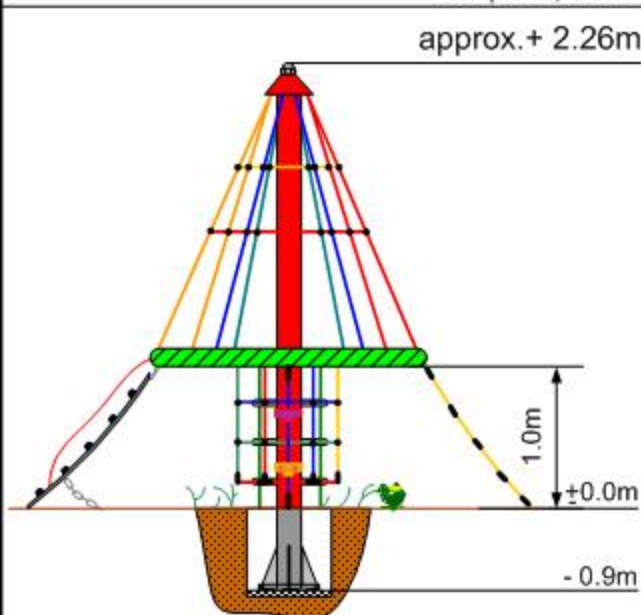
Before the installation, it's necessary to check the completeness of the several item parts and the fixations, according to the numbers of the enclosed list of material.

Package contents:	1 steel post - 3.0m long, Ø 159 mm	78kg	overall
	1 cardboard with accessories	15kg	weight
	1 main part 4.0m diameter	72kg	165kg

Required space :	4.0m diameter safety area 7.0m diameter
-------------------------	--

Required level surface:	fine gravel, bark mulch, sand (according to EN 1176)
--------------------------------	--

Required devices:	high-frequency compactor, excavator, water Red paint for steel post is included in delivery. If required, clean the post with thinner (or similar) previously.
--------------------------	--



It is not allowed to utilize, not to duplicate or to give and show this sketch to a third person without our written permission.

In case of violation we are allowed to claim compensation according to civil or criminal law.

HUCK
Seiltechnik

Art. no.: 4594-20

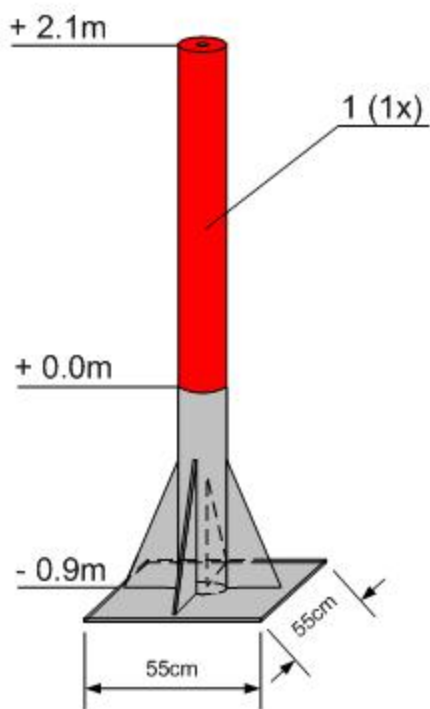
	Datum	Name
Bearb.	16.01.03	Henrich
Übers.	05.04.06	Roth

Gnome tree

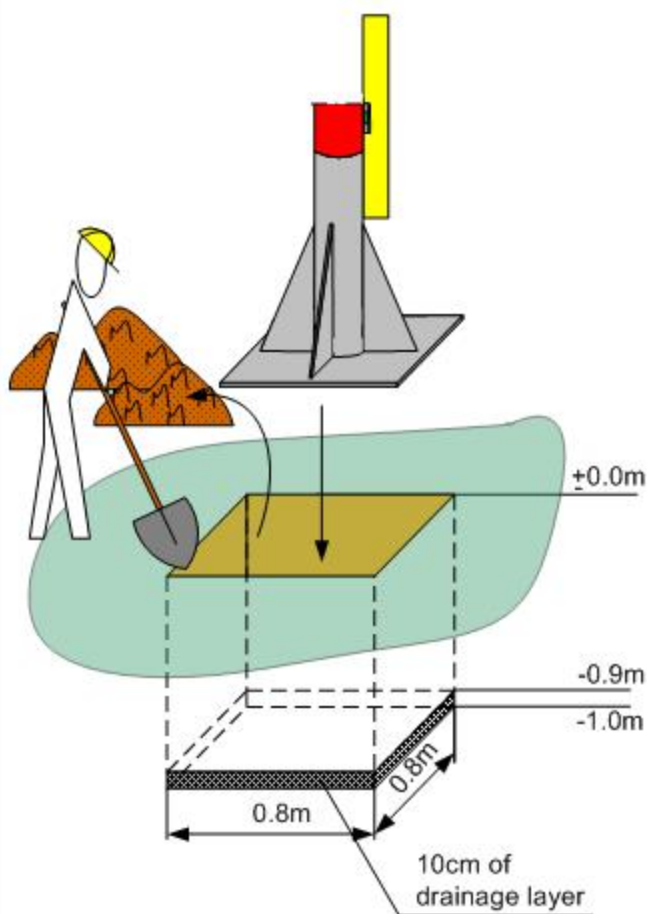
Huck Seiltechnik GmbH
Netz- und Seilspielgeräte
Dillerberg 4 D-35614 Aßlar-Berghausen
Postfach 1206 D-35608 Aßlar-Berghausen
Telefon (06443) 8311-0, Telefax (06443) 83 11-79

page 1/9

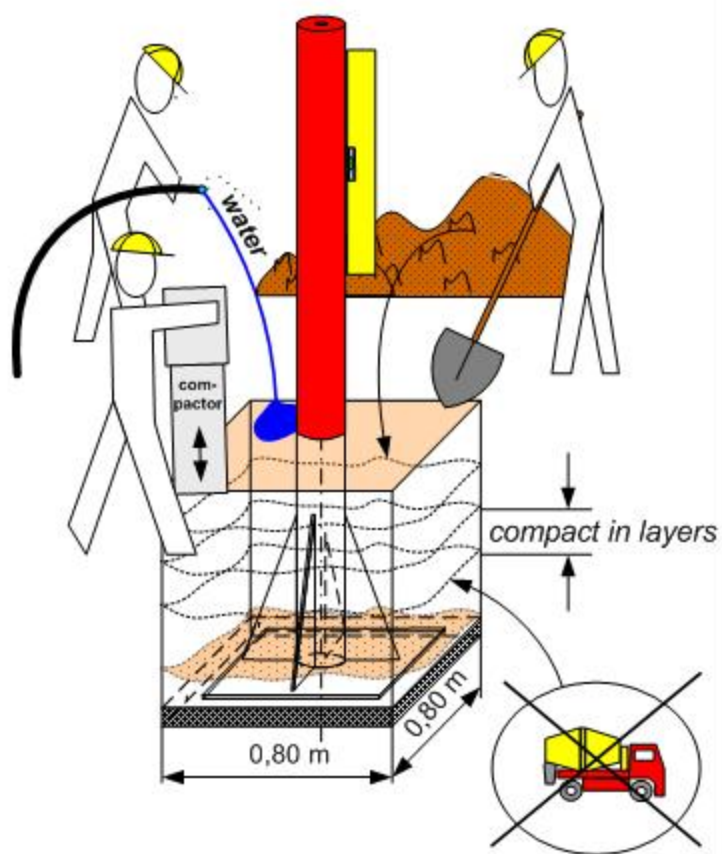
Index	Änderung	Datum	Name



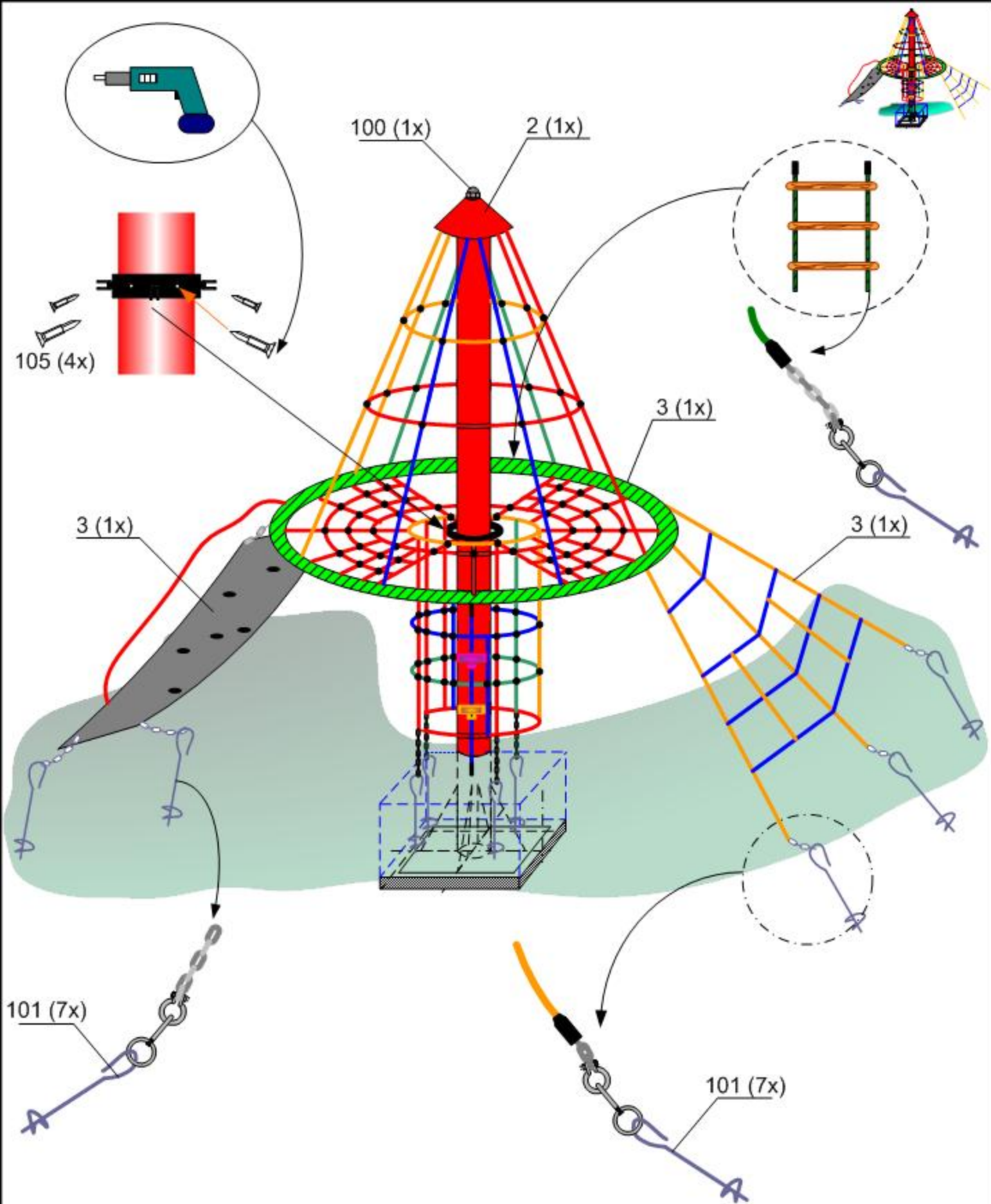
A



B



C



E

MAINTENANCE GUIDELINES

Tips for maintenance

Approximately 2 weeks after assembling each screwed connection has to be inspected and, if necessary, retightened

Keep increased attention to the check-up and maintenance if the equipment is installed at a high frequented playground.

In case of repair work, incomplete installation or maintenance operations, the equipment has to be blocked.

Please contact your supplier in case of any questions during installation or maintenance.

Gnome tree, art. no. 4594-20

m = monthly

y = yearly

m
1/4y
1/2y
y

1. check surface area underneath the equipment for dangerous objects

2. check stableness of standpoles, bracing, foundation

3. check wastage and tightness of fixations. Retighten or replace damaged items if necessary

4. check moving parts (joints, springs, etc.) for wastage and function - replace if necessary. Greasing of joints is not necessary - only maintenance-free ball-bearings are used.

5. check all added items (chains, ropes, nets, etc.) for wastage or damage - replace if necessary

6. check all rubber items, sleeves, etc. for wastage and damage - replace if necessary.

7. check surface of wooden parts for wastage and damage - replace if necessary

8. check surface of plastic and metal parts (slides etc.) for wastage and damage - replace if necessary

We recommend to carry out the checkup and maintenance operations according to our guidelines, because high strain, atmospheric influence or vandalism can cause the loss of safeness and function.

In case of damage which affects the safeness, the equipment has to be blocked or disassembled and repaired immediately.

Damage which affects the function, can cause the loss of safeness, decrease the fun of playing and excite to vandalism. In that case the equipemt has to be repaired immediately.

Any kind of repair work and maintenance has to be done by competent persons.

General remarks:

regularly checked playground equipments will not have the high amount of risks, because they can not be damaged like a playground equipment without any maintenance - precondition here is the replacement of all damaged parts.

Maintenance Record

Day of Inspection	Inspector's Name	Equipment is			Faults	Faults rectified by	Date
		OK	Useable	Out of order			

Maintenance Record

Day of Inspection	Inspector's Name	Equipment is			Faults	Faults rectified by	Date
		OK	Useable	Out of order			

