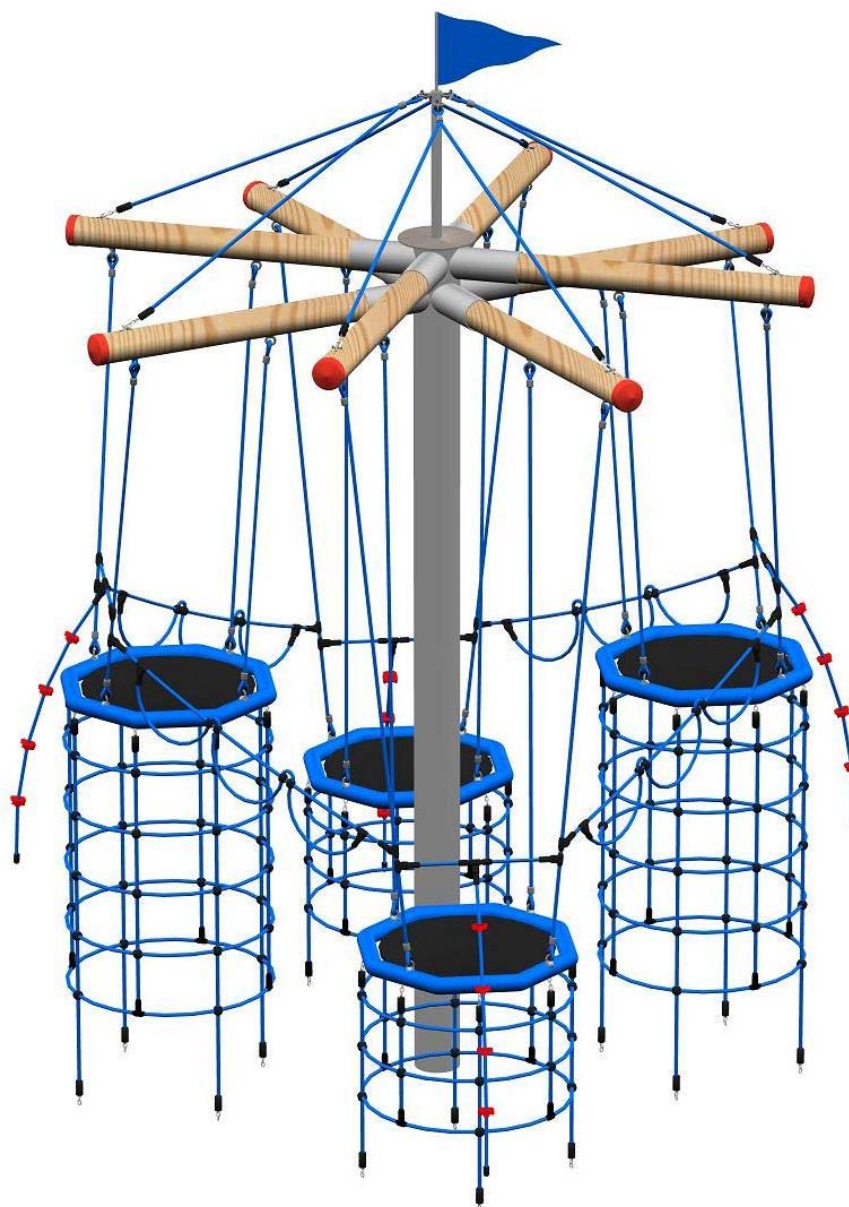


A Assembly Instructions Midi Birds Nest Tree

Art. 4652-10



Operator: _____

Location: _____

Revision 0 – 2009-08-06

The first allowed version

Safety area

Revision 4 – 2011-01-13

All rights reserved

© Copyright 2008 Huck Seiltechnik GmbH

Table of Contents

| | | |
|----------|---|-----------|
| A | Assembly instructions Midi Birds Nest Tree, Art. 4652-10 | 1 |
| 1.1 | General information..... | 4 |
| 2 | Datasheet: Midi Birds Nest Tree,Art.4652-10 | 6 |
| 3 | Scope of Delivery, inventory with serial numbers..... | 8 |
| 4 | Erection instructions..... | 12 |
| 5 | Post installation checks..... | 24 |
| B | Maintenance Instructions, Birds Nest Tree Midi, Art. 4652-10 | 25 |
| 6 | Introduction Maintenance | 27 |
| 7 | General maintenance information..... | 28 |
| 8 | Specific maintenance advice..... | 29 |
| 9 | Maintenance timetable | 30 |
| 10 | Monthly maintenance..... | 31 |
| 11 | Quarterly maintenance..... | 31 |
| 12 | Half- Yearly Inspection | 31 |
| 13 | Annual maintenance..... | 32 |
| 14 | Maintenance printout | 33 |
| 15 | Hand over document | 35 |

List of Tables

| | | |
|------------|---|---|
| Table 3-1: | Scope of delivery, inventory with serial numbers, in words | 8 |
| Table 3-2: | Scope of delivery, inventory with serial numbers, with symbols..... | 9 |

1.1 General information

This equipment should be installed, inspected, maintained and operated in accordance with EN1176-7 guidelines.

Before installation work commences, please check that you have all of the equipment and fixation components in the parts list provided (see Tables 3-1 and 3-2).

Please consider that the installation has to be carried out only on even terrain (max.slope up to 3%).

Any spare parts that may be required can be obtained directly from your supplier.

Please do not hesitate to call your supplier if you have any problems during installation or in case of any other questions.



Attention

Following installation, complete assembly instructions, maintenance instructions and a maintenance record must be sent to the operator who must confirm receipt in writing. See the last page of this document.



Attention

All nuts and bolts are hot-dip galvanised or stainless steel. One of the characteristics of stainless steel is that uncontrolled cold welding may occur when the nuts are tightened. To prevent this, it is necessary to spray the nuts and bolts with Teflon spray or another similar lubricant.

We hereby confirm that this play equipment has been tested and certified in accordance with the play equipment standard EN 1176-1.

Drawings / Views

All optical drawings are showing only the measurements/dimensions and are no mandatory technical views of the complete item.

We reserve the right to change technical details of our articles which are serving for the further development of our articles and are reasonable for the customer.

Measurement tolerances

Because of the properties and characteristics of the components, minor measurement tolerances compared to the indication on the sketches are possible.

This concerns all shown measurements except the foundation measurements resp. measurements below upper edge ground level/play area.

[The Images \(individual drawings\) are not to scale !!](#)

2 Datasheet: MIDI Birds Nest Tree, Art 4652-10

1. Space requirement: 4.0mØ and 7.50mØ including safety zone, height of fall 2:00 m
2. Required safety surface:

| Ground surface material | Description mm | Minimum thickness of layer mm | Maximum height of fall mm |
|-------------------------------|------------------------------|-------------------------------|---------------------------|
| Lawn top soil | | | ≤ 1000* |
| Chipped bark | Grain size 20 – 80 | 300 | ≤ 2000 |
| | | 400 | ≤ 3000 |
| Wood chippings | Grain size 5 – 30 | 300 | ≤ 2000 |
| | | 400 | ≤ 3000 |
| Sand | Grain size 0,2 – 2 | 300 | ≤ 2000 |
| | | 400 | ≤ 3000 |
| Gravel | Grain size 2 – 8 | 300 | ≤ 2000 |
| | | 400 | ≤ 3000 |
| Other ground surface material | Like tested according to HIC | | |

* in Germany, lawn is a sufficient surface material for heights of up to 1,50m

3. Name and overall dimension of the largest component:
Steel post (2 pieces) length 5.30 m / ø 193.7 mm
4. Name and weight of the heaviest component:
Steel posts (1 piece), approx. 132 kg
5. Intended age group: 6 years and over
6. **Please note that this equipment is set in concrete**
Concrete: C25/30
Required concrete: 2.7 m³
Foundations/area to be excavated:
Top edge of concrete 40 cm below ground level

4 x 1300mm long x 1300mm wide, total depth 700mm including 100 mm drainage layer.

1 x 1300mm long x 1300mm wide, total depth 1300mm including 100 mm drainage layer.

7.



Round off foundation edges (min.R = 100 mm)! Sizes of foundations are “4-5” (natural ground).

Soil class 4: soft to medium plasticity, interleave bound, with minor portion of stone (portion < 30% with bigger diameter of 63 mm grain size).

Soil class 5 : ground with soil class 3 and 4 with big portion of stones (portion > 30% with bigger diameter of 63 mm grain size).

In case of sandy and soft soils, the surface measure of foundations have to be enlarged for about 50%!

8. Assembly time, once foundations completed: 5 hours.
Required assistants: 3 persons.
9. **Not included in delivery contents:1 x sidewalk flag stone, 1 x plastic pipe Ø400mm**
10. Required tools: Backhoe with a lifting height of 5.0m, 4.50m long ladder, Level, Assorted wrenches.

3 Scope of Delivery, inventory with serial numbers



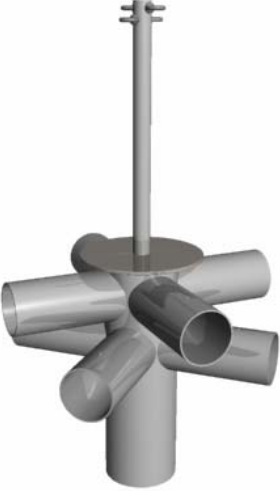


3.1 In words (please notice: piece numbers refer to 1 equipment)








Table 3-1: Scope of delivery, inventory with serial numbers, in words



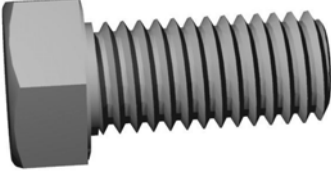

| Pos. | Quantity | Element / Description | Size | O.K. | Missing |
|------|----------|--|---------------------------------------|------|---------|
| 1 | 1 | Steel post | Ø 193.7 mm, 5,30 m lg. | | |
| 2 | 1 | Play component | | | |
| 3 | 1 | Steel crossbeam connector | ca.:Ø 0,8 m, 1,2 m | | |
| 4 | 8 | Crossbeams | Ø 140 mm, 1,65 m lg. | | |
| 5 | 4 | Top ropes | | | |
| 6 | 1 | Flag+ threaded bolt + 2x nuts , 1x washer, 1x nut cap | | | |
| 101 | 16 | 6mm shackle | | | |
| 102 | 16 | Rawlplug | M12 x 110 | | |
| 103 | 24 | Stop nut M12 +washer + blue/yellow cover cap | | | |
| 104 | 16 | Ring nut M12 | | | |
| 105 | 8 | Crossbeam caps | für Ø 140 mm (prefitted on Pos. 4) | | |
| 106 | 24 | Panhead Screws | 5 x 30 mm (prefitted on Pos. 4) | | |
| 107 | 8 | Wood screws | 10 x 100 | | |
| 108 | 2 | Loctite | 3 ml | | |
| 109 | 8 | Bolts | M12 x 30 mm | | |
| 110 | 12 | Screws | 4 x 25 | | |

3.2 With symbols

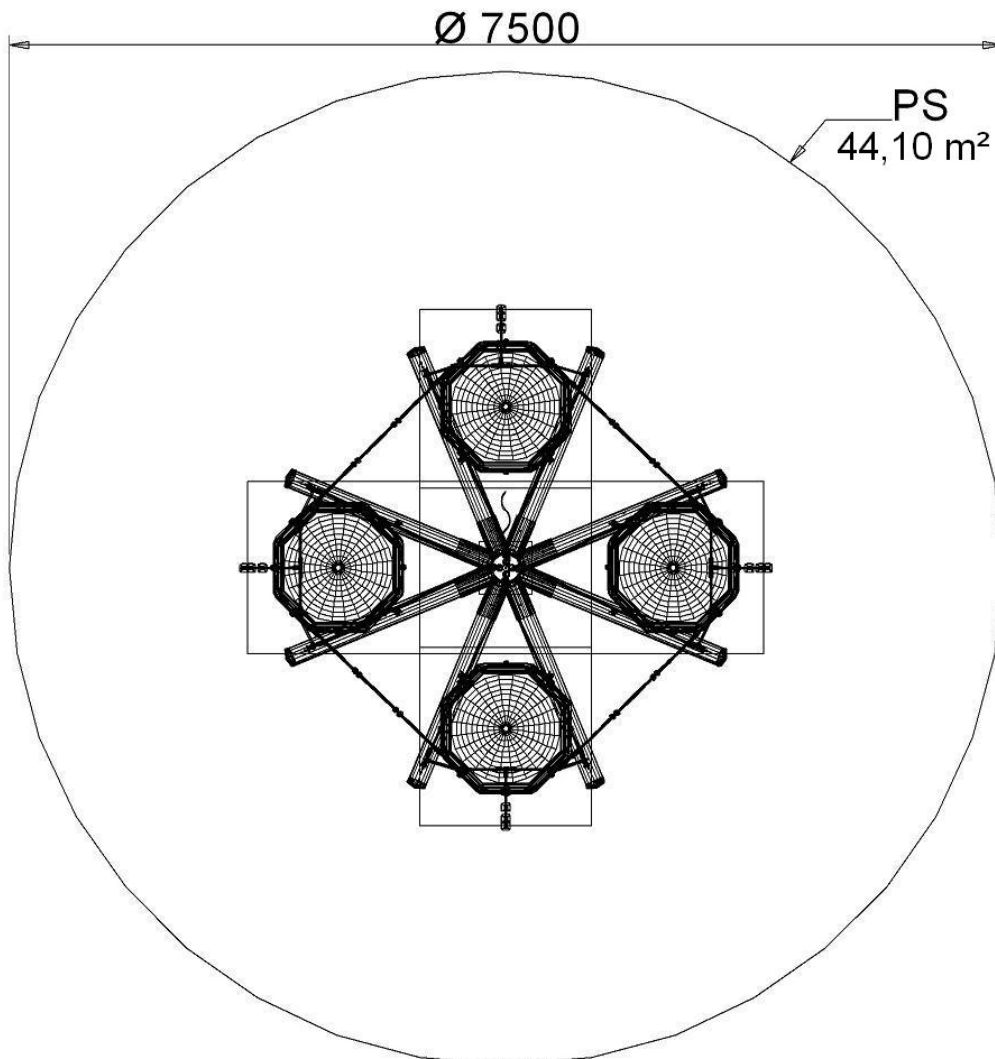
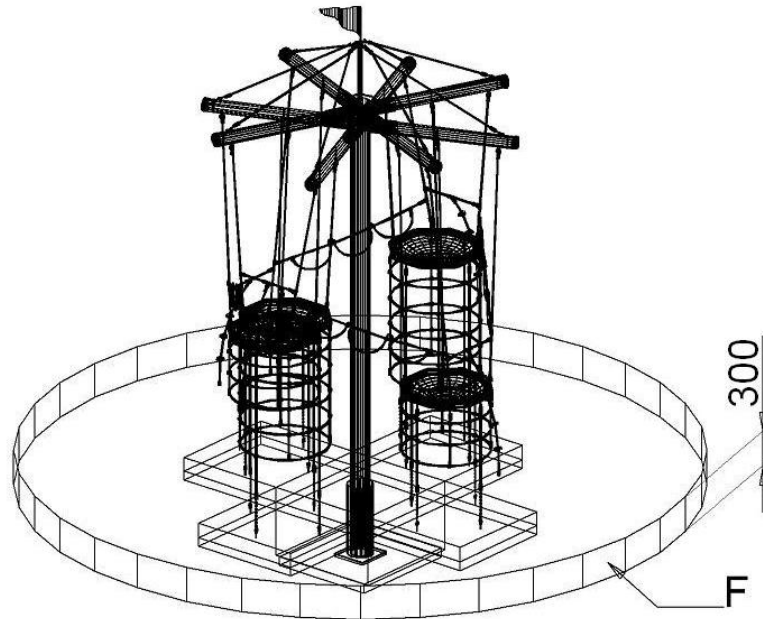
Table 3-2: Scope of delivery, inventory with serial numbers, with symbols

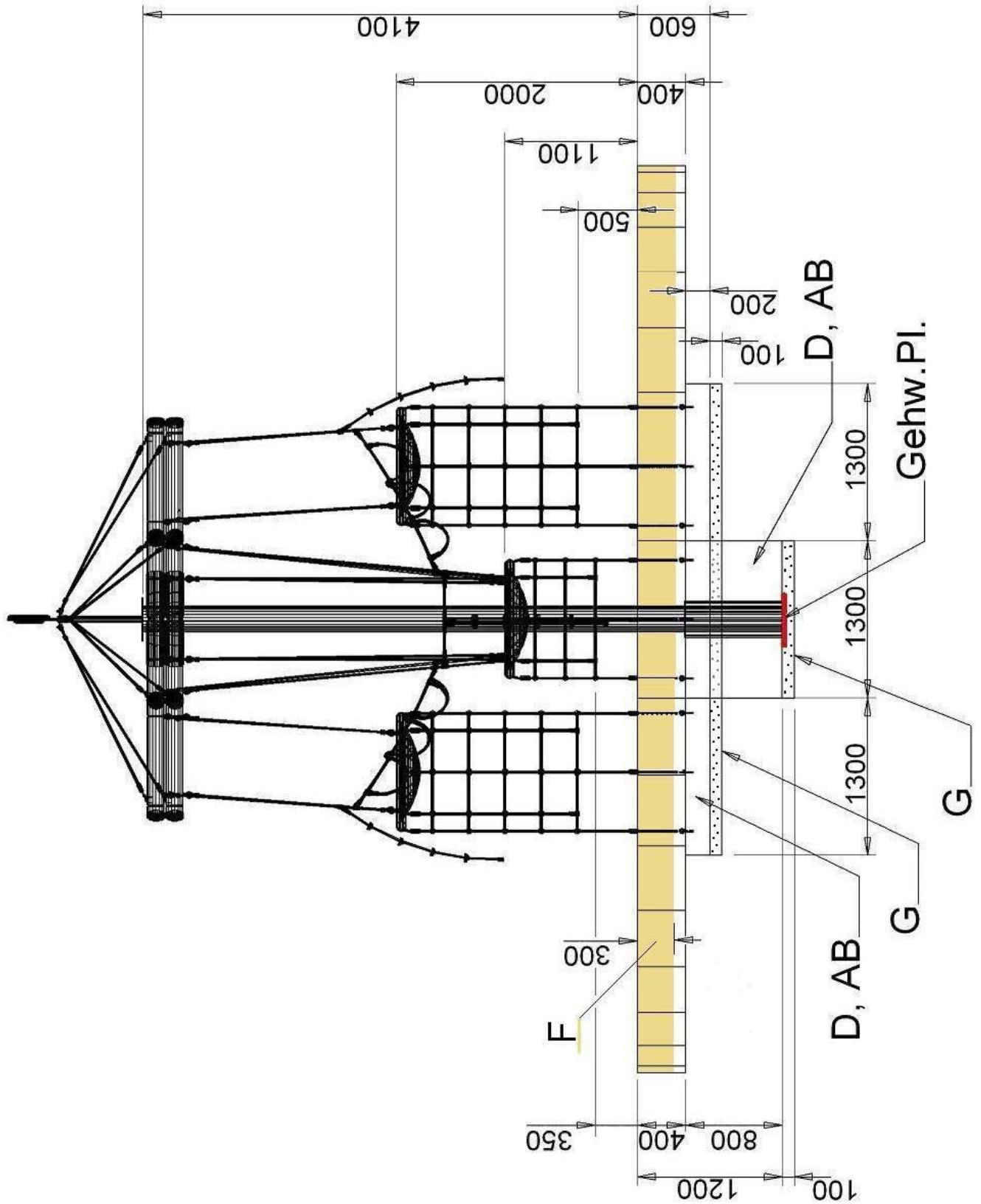
| Pos. | Quantity | Symbol |
|------|----------|--|
| 1 | 1 |  <p>Ø 193.7 mm, 5,30 m lg.</p> |
| 2 | 1 |  |
| 3 | 1 |  <p>1500 x 800 x 800</p> |
| 4 | 8 |  <p>Ø 140 mm, 1,65 m lg.</p> |
| 5 | 4 |  |

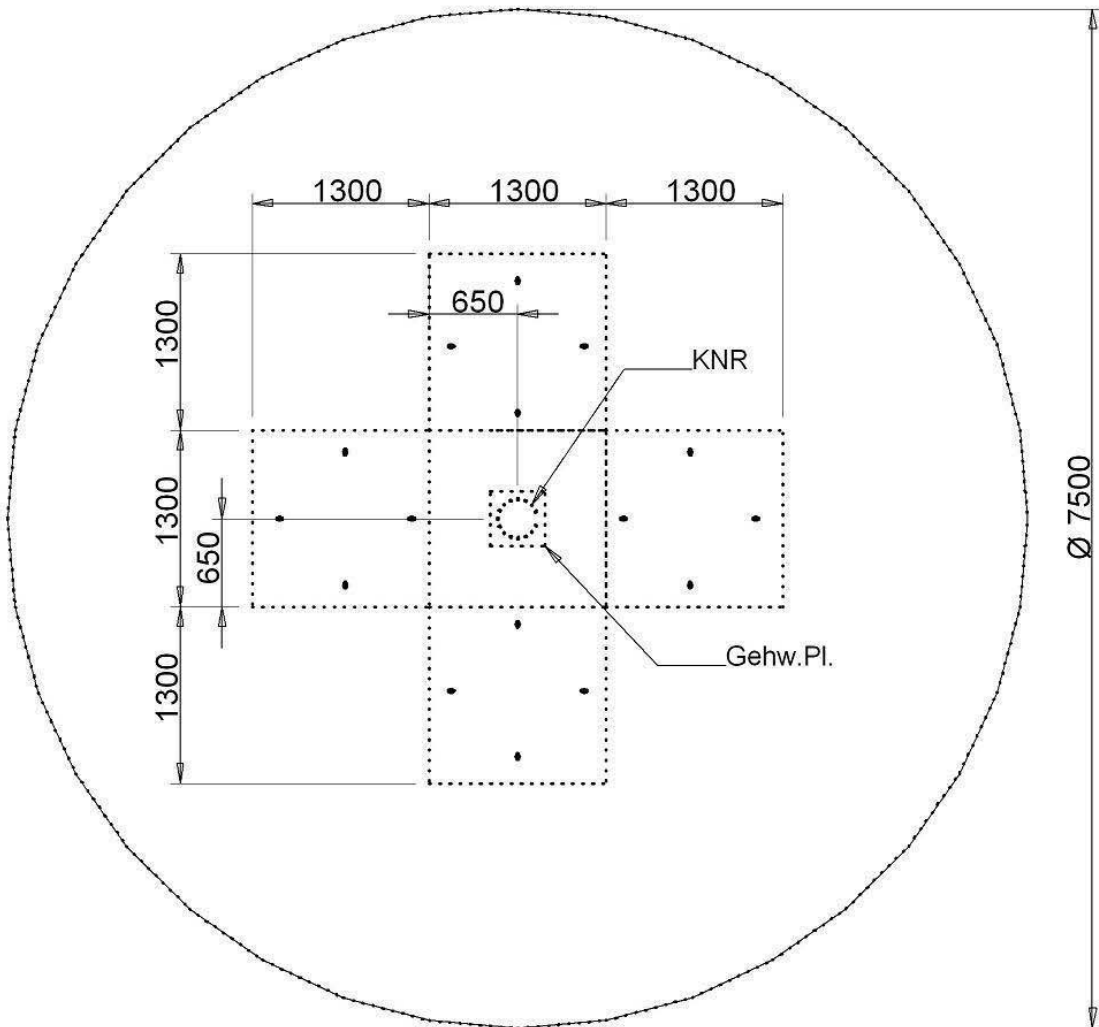
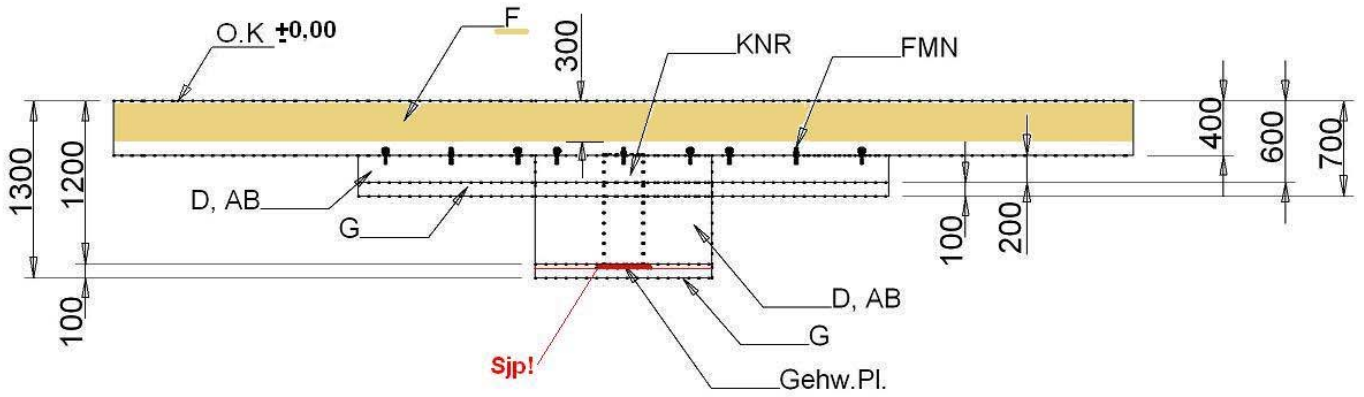
| Pos. | Quantity | Symbol |
|------|----------|--|
| 6 | 1 |  |
| 101 | 16 |  |
| 102 | 16 |  M12 x 110 |
| 103 | 24 |  |
| 104 | 16 |  Ringmutter M12 |
| 105 | 8 |  für Ø 140 mm (prefitted on Pos. 4) |
| 106 | 24 |  (prefitted on Pos. 4) |

| Pos. | Quantity | Symbol |
|------|----------|---|
| 107 | 8 |  10 x 100 |
| 108 | 2 |  Loctite 3 ml |
| 109 | 8 |  M12 x 30 |
| 110 | 12 |  |

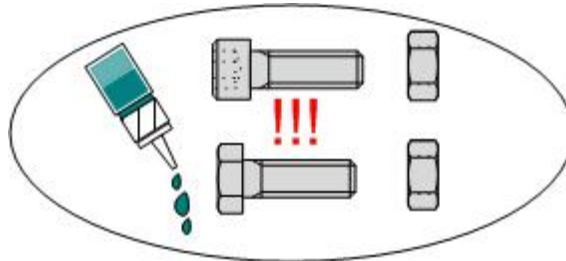
4 Erection instructions





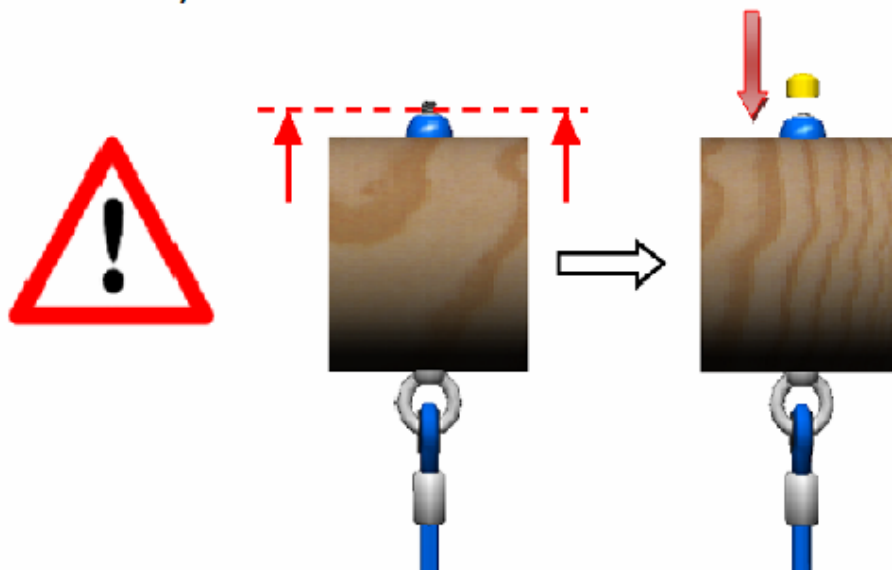


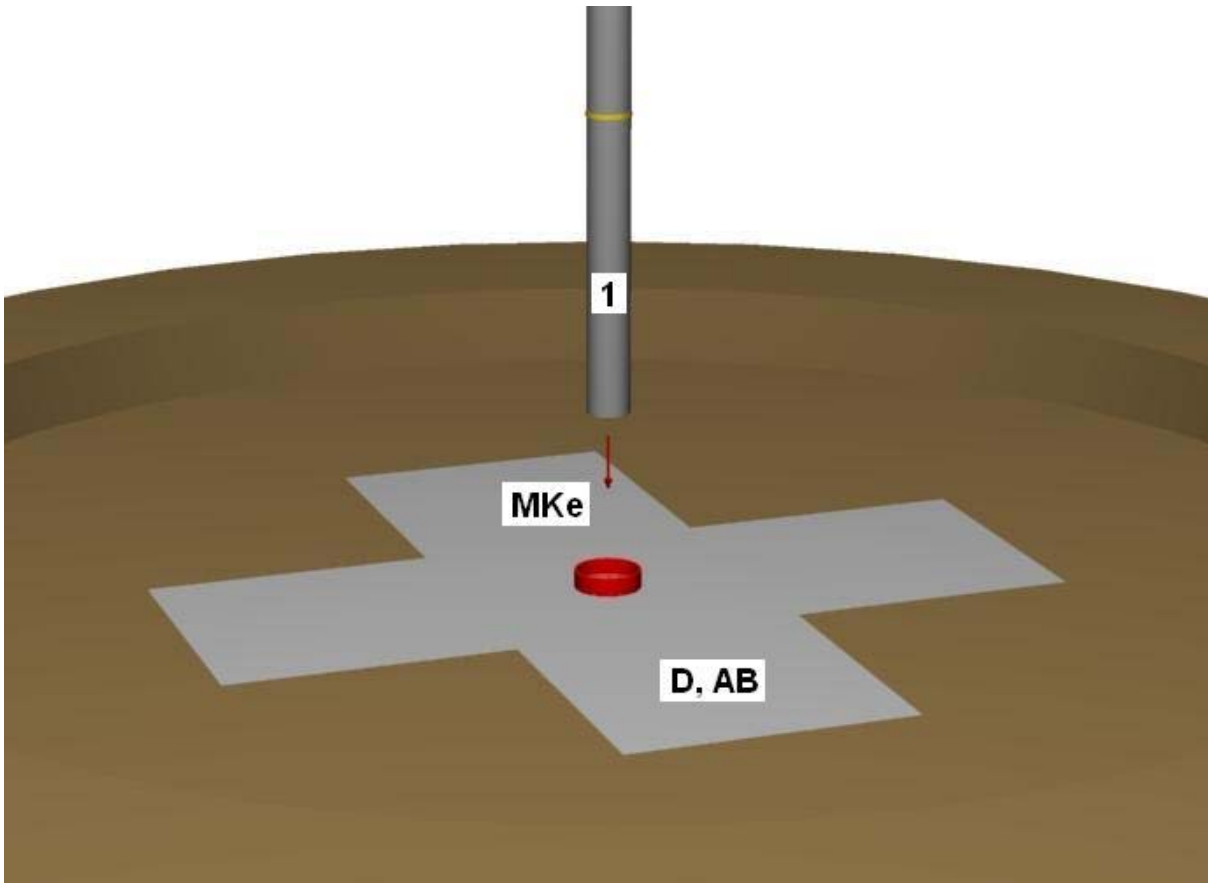
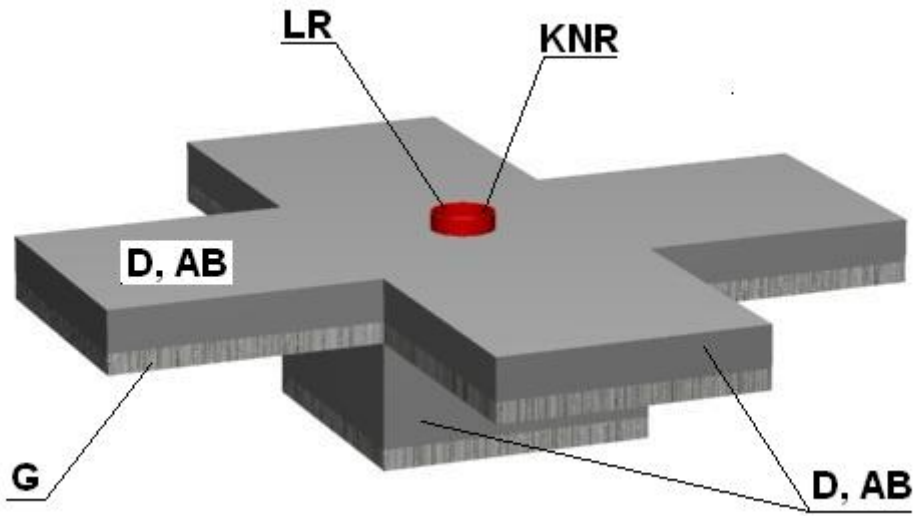
Screw locking device!

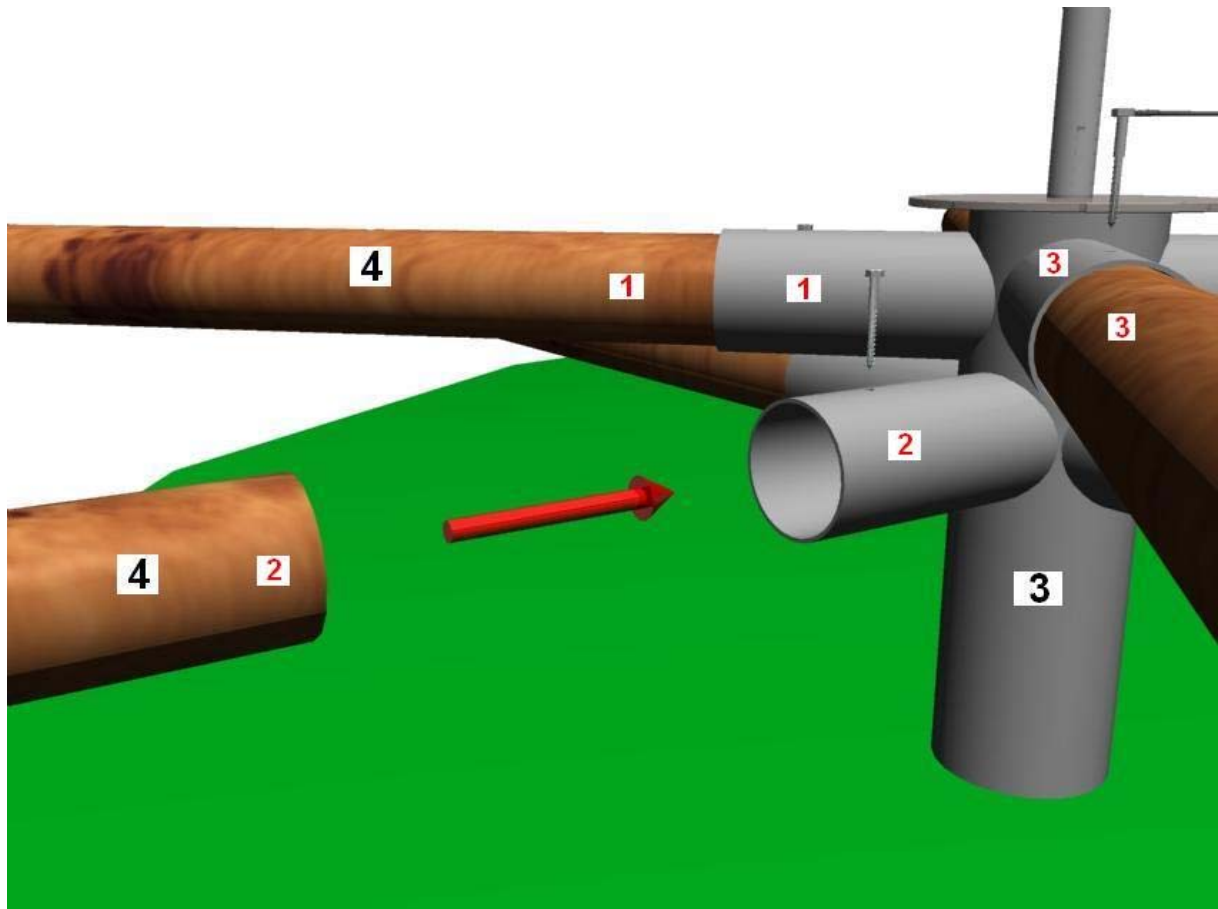
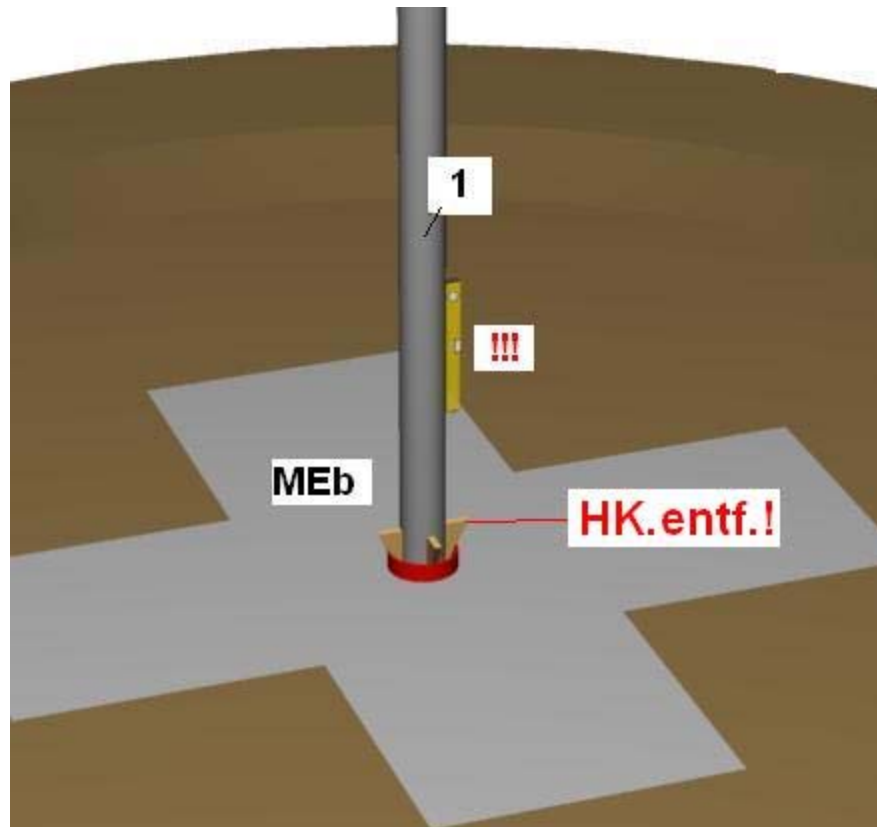


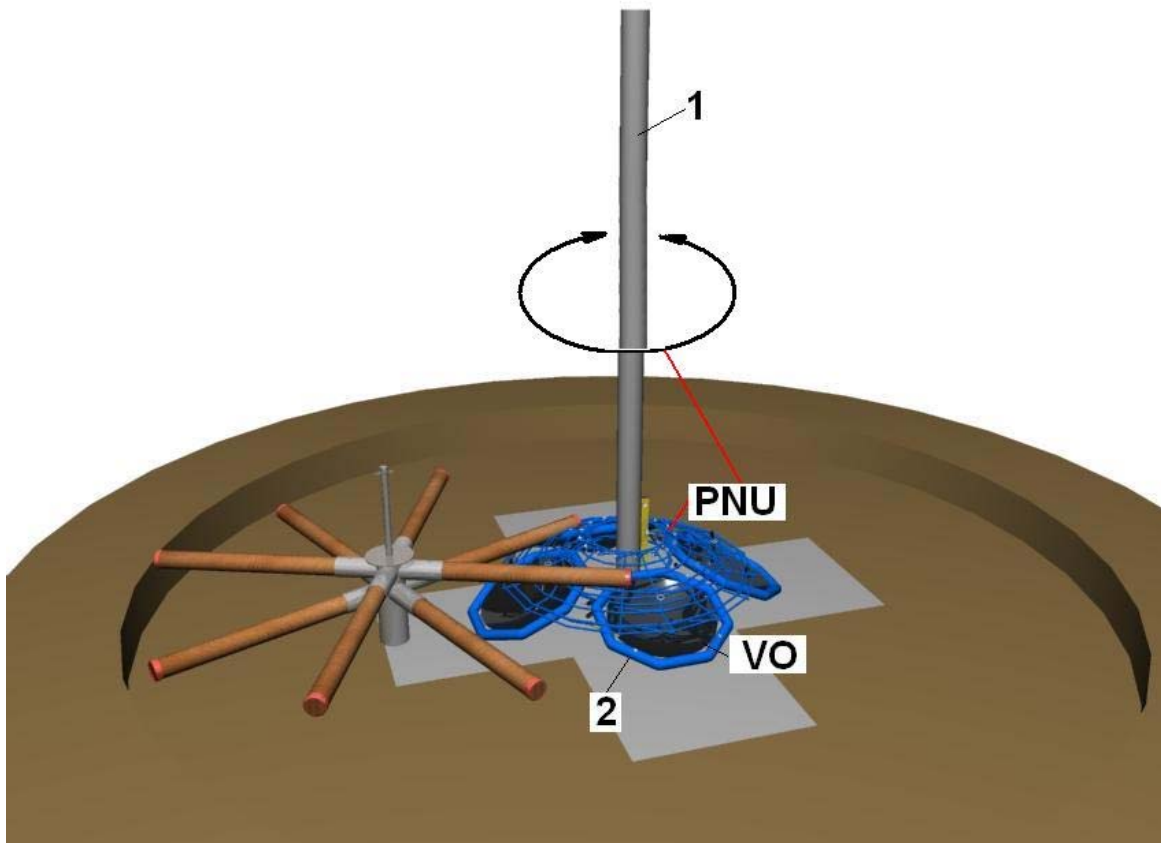
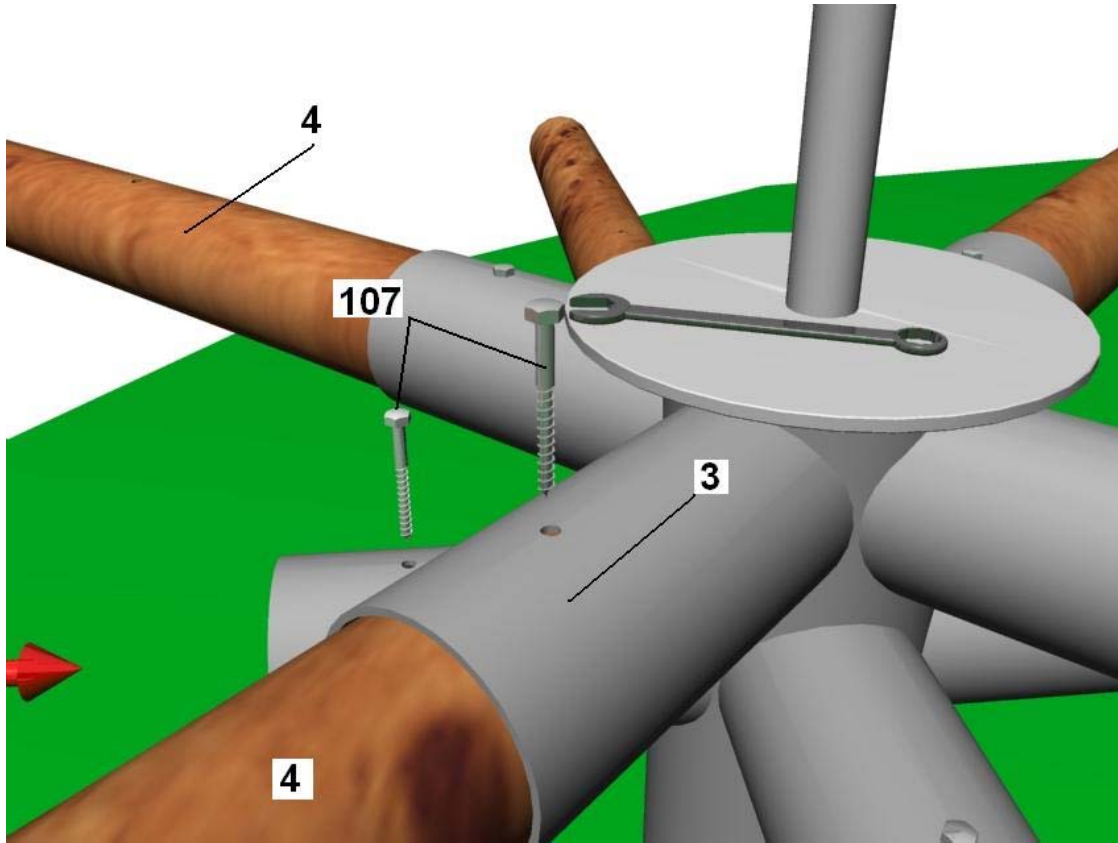
**glue all screws, nuts and sleeves with loctite.
(not less than 5 drops !)
(except for lock nuts)**

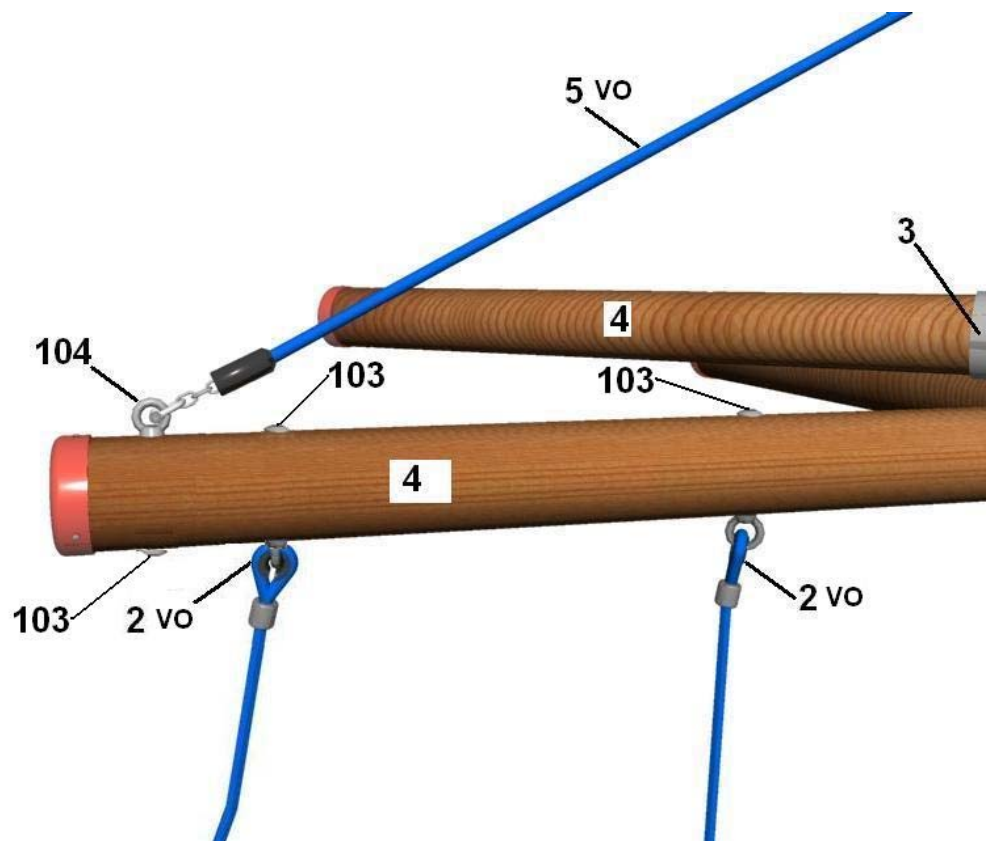
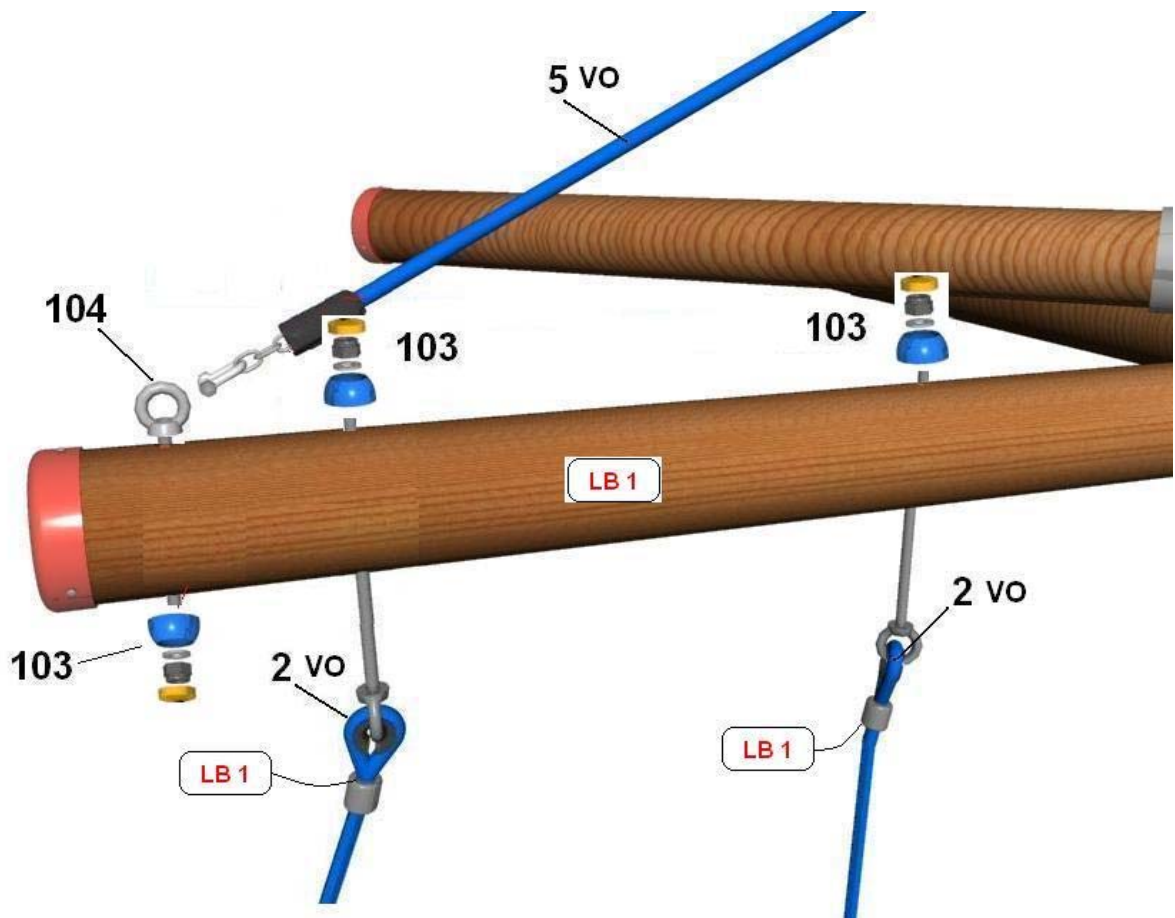
Because of the natural characteristics of wood it is normal that shrinking and swelling occur due to heat and moisture. For example a wood post with a \varnothing of 180mm can vary between 173mm and 183mm. In occurrence it is necessary that bolts and screws be retightened and eventually shortened!

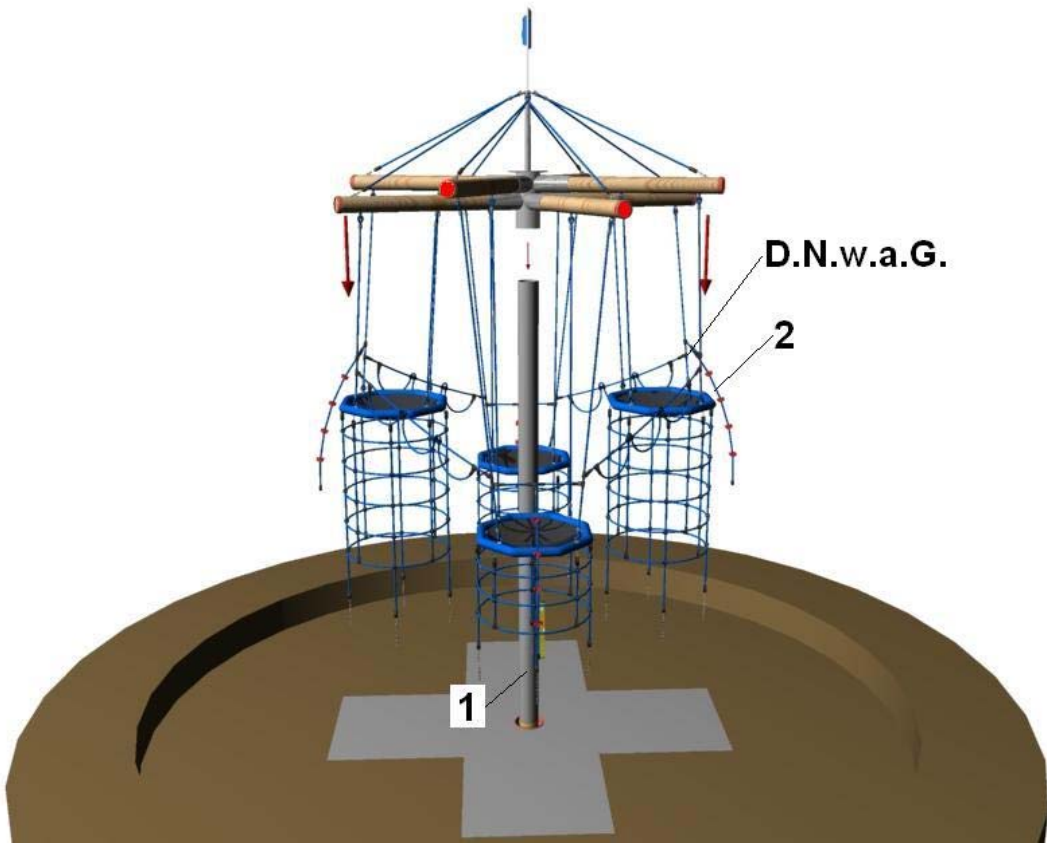
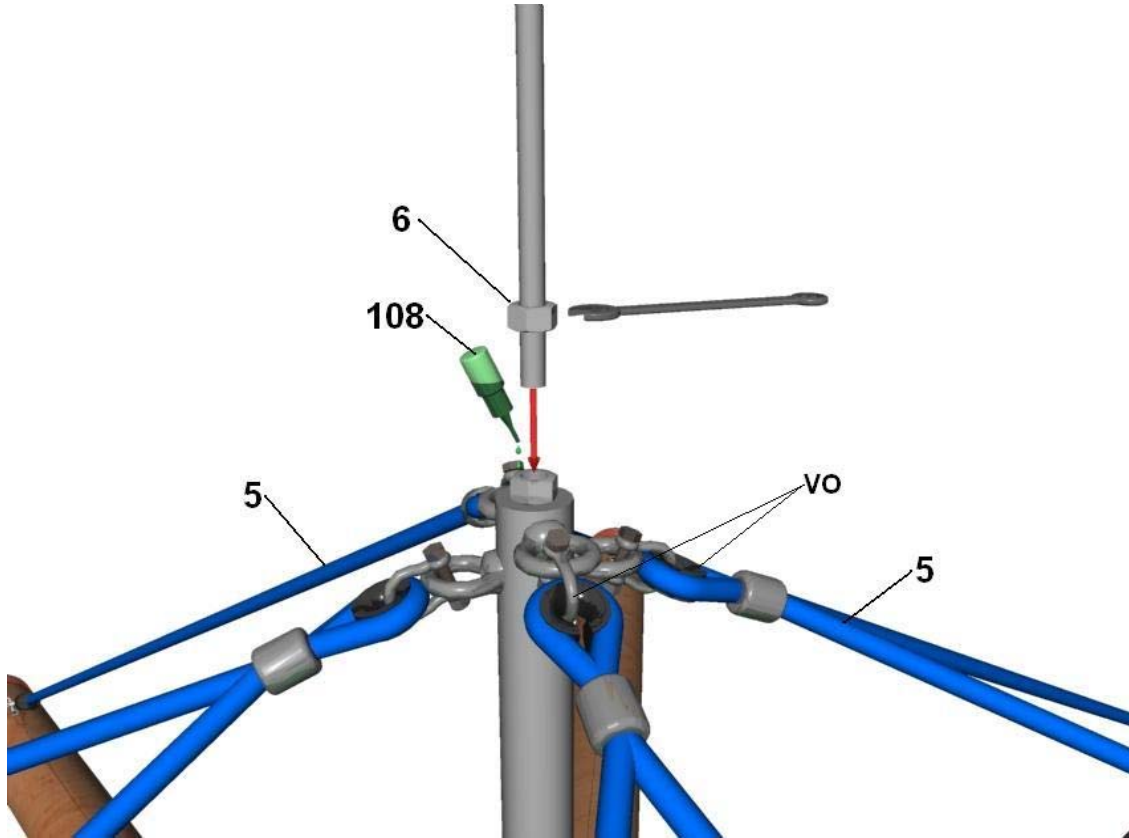


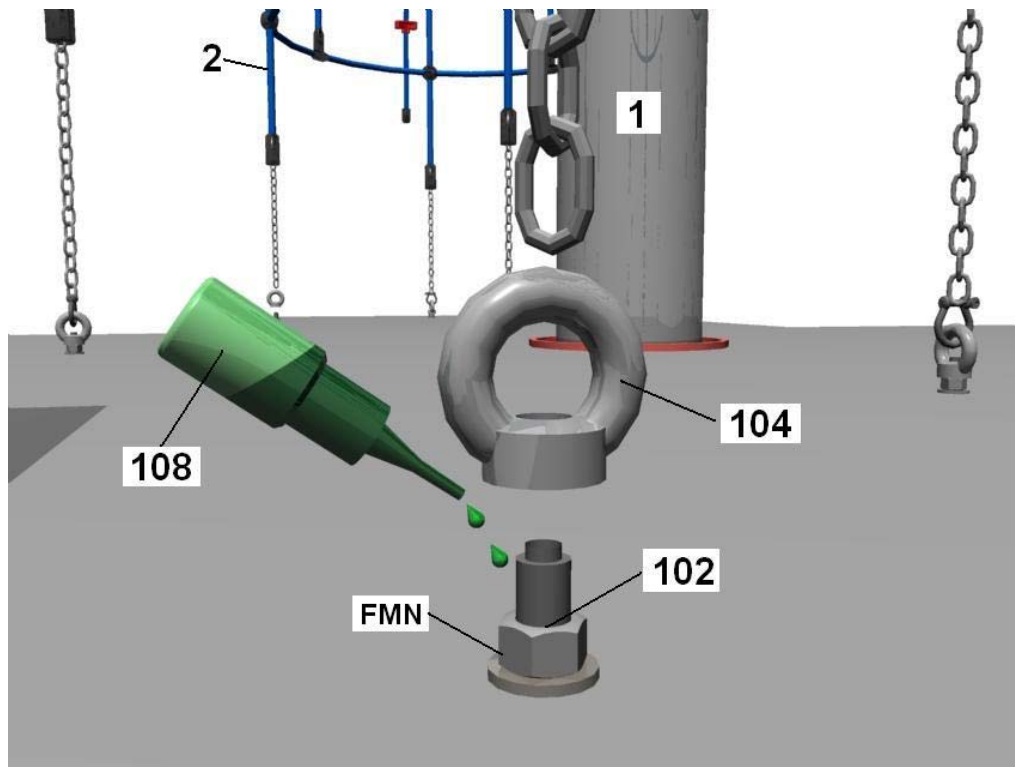
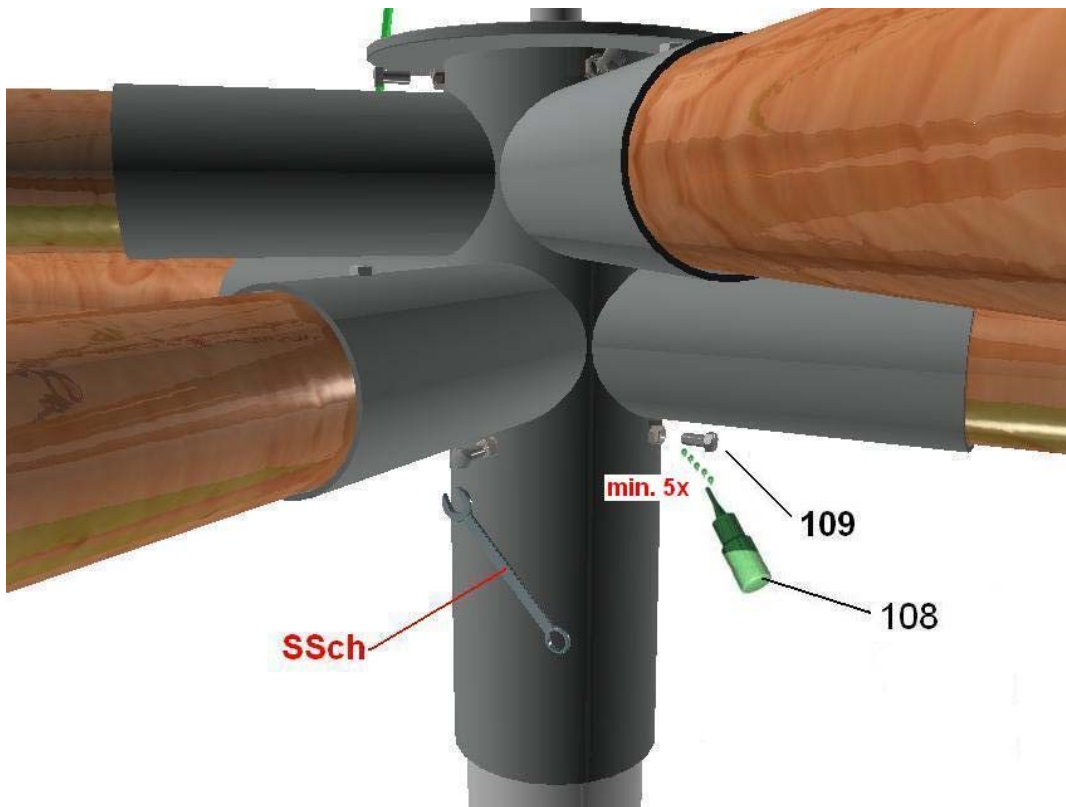


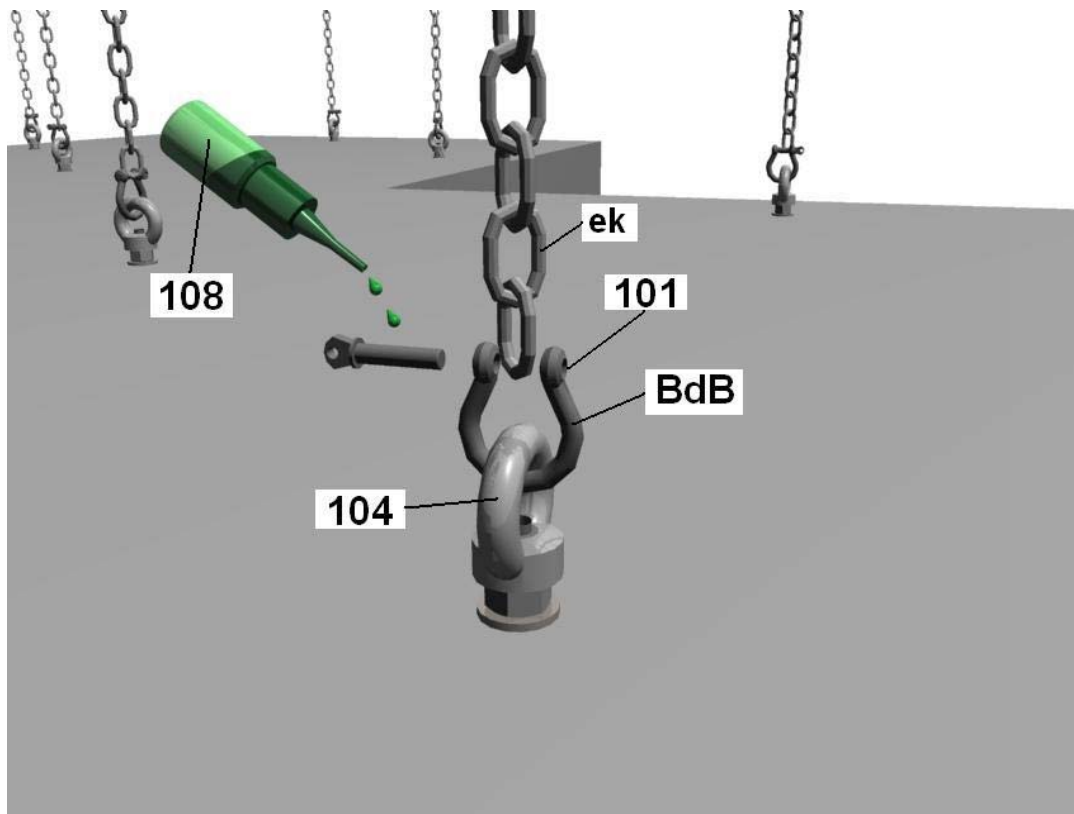













| | <u>Shortcuts and Abbreviations for Diagrams:</u> |
|--|---|
| AB | Setting time min. 7–8 days |
| B | Baton positioned on site to secure the anchor chain |
| BdB | Anchor the nets to the ground with type-6 shackles |
| D | C25/30 concrete (for foundations) Q.ty required 2.7 m ² |
| D.be. | Fill in around the central mast with concrete. (between drainage tube and central mast) |
| D.N.w.a.G. | After installing connect nets at this position using pos.# 110 (am T-Stück verschraubt) |
| Ek | Chains should be shortened during installation if necessary. |
| F | Fall protection |
| FMN | Install rawlplugs after complete installment of the play component |
| G | Drainage layer |
| Gehw.PI. | Paving stone or sidewalk stone (not included in delivery contents) |
| HK.entf! | Wedges must be removed after concreting! |
| KNR | Plastic pipe (not included in delivery contents) |
| LR | Plastic pipe (not included in delivery contents) |
| Meb | Observe burried depth marking |
| Mke | Place central post in plastic pipe |
| O.K | Top level ground surface |
| PNU | Place the net pack around the center post |
| PS | Space required including Safety area - 44.10 m² |
| SjP! | Paving stone/sidewalk stone must be level with drainage layer |
| SSch | After mounting Steel crossbeam connector tighten and secure bolts with loctite |
| VO | Prefitted |
|  Attention! | Round off foundation edges (min.R = 100 mm)! Sizes of foundations are “4-5” (natural ground). Soil class 4: soft to medium plasticity, interleave bound, with minor portion of stone (portion < 30% with bigger diameter of 63 mm grain size). Soil class 5 : ground with soil class 3 and 4 with big portion of stones (portion > 30% with bigger diameter of 63 mm grain size). In case of sandy and soft soils, the surface measure of foundations have to be enlarged for about 50%! |

See drawings

5 Post installation checks



If the equipment has not been installed safely, you must ensure that the public is prevented from using it.

5.1 Marking filler depth

Labelling the posts to show the depth of material provided as fall protection (i.e. loose filler).

5.2 The equipment has not been installed safely in the following cases:

Safe equipment installation is not complete.

The protective surface has not been installed yet.

Appropriate maintenance work cannot guarantee operational safety.

5.3 Removal of all assembly aids

Please make sure that all assembly aids have been removed from the playing area. The equipment must not be approved for use until this check has been made.

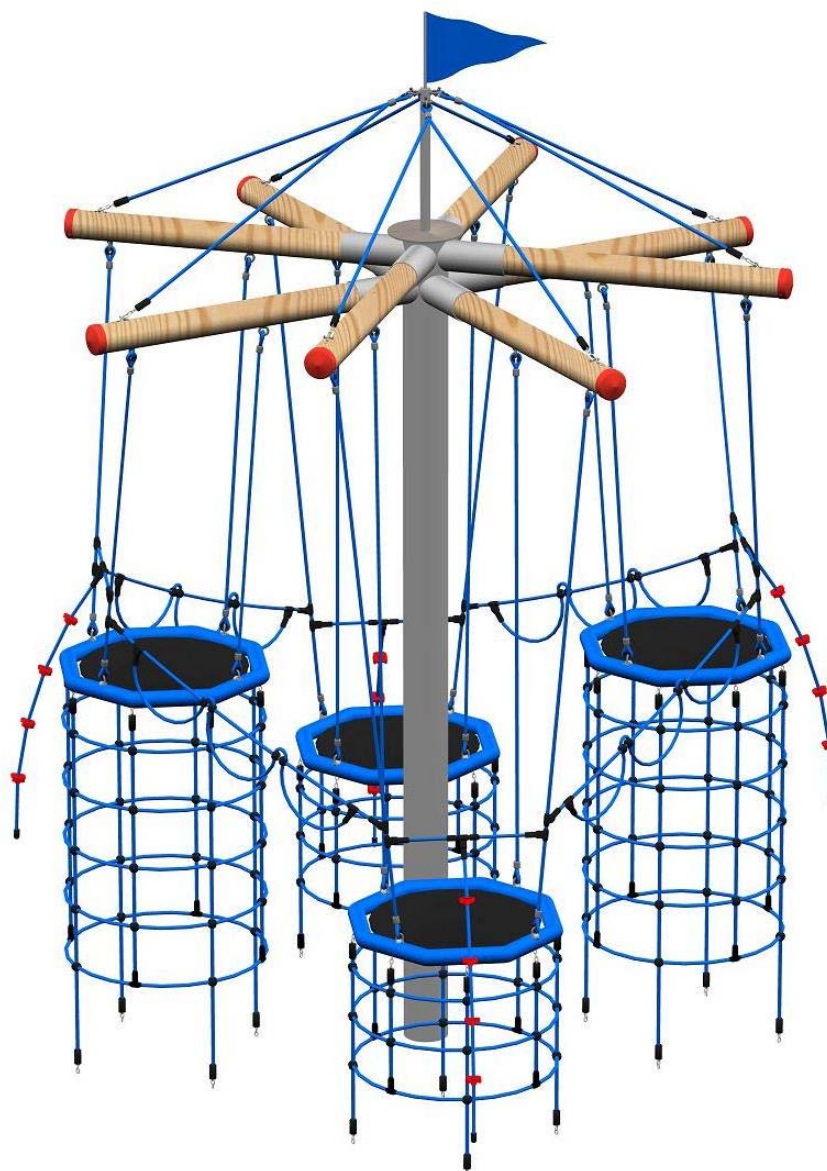
5.4 Information about inspection of the equipment before it is used for the first time

There are no special inspection requirements to be met before the equipment is used for the first time.

5.5 Retighten bolts

After one week of play, please retighten all bolts again. Later upon respective maintenance.

B Maintenance Instructions MIDI Birds Nest Tree Art. 4652-10



Operator: _____

Location: _____

Revision history
Revision 0 – 2009-08-06
first released version
Safety area
Revision 4 – 2011-01-13
All rights reserved
© Copyright 2008 Huck Seiltechnik GmbH

6 Introduction Maintenance

6.1 General informations

This equipment should be installed, inspected, maintained and operated in accordance with EN 1176-7 guidelines.



Please note: Providing any necessary repairs are carried out, a piece of play equipment that is inspected regularly cannot become so damaged that it is dangerous.

Any spare parts which may be required can be obtained directly from your supplier.



This equipment should only be assembled, maintained and repaired by **persons with the necessary expertise**.
A copy of the inspection record should be given to the operator, who must confirm receipt.

**This maintenance instruction is based on the standard
“EN 1176-1”.**

7 General maintenance information

7.1 Maintenance intervals

Maintenance intervals are based on average use. Please note that more frequent inspections and/or maintenance are required if the play equipment is subject to intensive use.

7.2 Inspection frequency

The frequency of inspections must be based on actual use. Factors that affect frequency include vandalism, location (e.g. coastal proximity), air pollution and the age of the equipment.

7.3 Maintenance products and procedures

All nuts and bolts are hot-dip galvanised or stainless steel. One of the characteristics of stainless steel is that uncontrolled cold welding may occur when the nuts are tightened. To prevent this, it is necessary to spray the nuts and bolts with Teflon spray or another similar lubricant.

7.4 Spare parts

All spare parts must conform to the manufacturer's specifications.

7.5 Identifying spare parts

All spare parts are listed in the parts list. The parts list follows the installation requirements.

7.6 Special instructions for the disposal of individual equipment components

No special instructions are necessary for the disposal of individual equipment components.

7.7 Special measures during the break-in period

No later than 2 weeks after assembly, all screwed connections should be checked and tightened if necessary.

7.8 Drainage holes

All drainage holes should be kept clear.

7.9 Maintenance of protective surfaces

Surfaces providing fall protection must also be maintained regularly. It is particularly important to maintain the correct level of loose surface material and add more if necessary.

7.10 Faults



Attention

Faults must be repaired as soon as they are detected. If serious defects that compromise safety cannot be repaired straight away, the public must be prevented from using the equipment with immediate effect.

7.11 Loose screws



Attention

Loose screws always cause quality problems and put safety at risk. Therefore, loose screws should always be tightened and checks carried out to ensure that there are no missing screws (e.g. look out for holes you can see through).

7.12 Preventing equipment use

Use of the equipment should be prevented in the event of incomplete installation, disassembly, maintenance, repairs and faults.

7.13 Safeguarding the guarantee

Steel posts and footings are guaranteed if regular maintenance is carried out and recorded in writing. Maintenance first takes place after 3 years. The steel posts must be excavated as far as the concrete foundations and checked for corrosion. Zinc paint should be applied to any corroded areas and scratches.

8 Specific maintenance advice

None

9 Maintenance timetable

9.1 Special advices

9.1.1 Maintenance interval

We strongly advise you to carry out inspections and maintenance work within the specified periods as use of the equipment, the weather and malicious vandalism cause wear and tear that compromises the safety and function of the equipment.

9.1.2 Maintenance intervals in the event of intensive use

Please note that more frequent inspections and/or maintenance are required if the play equipment is subject to intensive use.

9.1.3 Faults that compromise safety



Notice

In the event of a fault that compromises safety, quick action must be taken. This may involve repairing it immediately or shutting down and dismantling the equipment.

9.1.4 Faults that compromise function



Notice

Faults that compromise function should also be repaired immediately. Such faults lower the value of the equipment to the user and encourage malicious vandalism, which may render the equipment less safe. Any damage should also be repaired immediately.

10 Monthly maintenance

- Check the spaces between the equipment and the ground (clearance and height of fall).
- Check the ground surface in the area with fall protection for hard objects and loose foundations.
- Check all connecting elements and fittings for wear and tear and tighten if necessary. Replace damaged or missing parts.
- Check that moving metal parts (joints, springs, etc.) move smoothly and are not worn. Replace if necessary. It is not necessary to lubricate joints as we only use maintenance-free metal roller bearings.
- Check all attachments such as chains, ropes, nets, etc. for damage and replace if necessary.
- Check rubber parts, sleeves, etc. for wear and tear or damage and replace if necessary.
- If necessary, remove excess padding material from the post footings due to danger of rotting.
- Check the surface of wooden parts for damage caused by the weather or external influences and mould. Repair or replace if necessary.
- Check the surface of plastic and metal parts, e.g. slides, for damage and replace if necessary.

11 Quarterly maintenance

- Detailed inspection of the operation and stability of the equipment paying particular attention to any wear and tear.
- Tighten all forms of attachment.
- Repaint and retreat surfaces.
- Maintenance of fall protection surfaces.
- Lubrication of joints.
- Check the height of the fall and top up with loose filler if necessary. If the posts are labelled, top up as far as the mark.
- Retighten all bolts

12 Half- Yearly Inspection

- Same as Quarterly inspection!

13 Annual maintenance

Ascertaining that the equipment, foundations and surfaces are safe for operation.

In particular, the equipment should be checked for decay and corrosion. It may be necessary to dig out or excavate certain components in order to do so. Zinc paint should be applied to corroded areas and scratches.

Stability (check posts, bracing, foundations, etc.).

Ascertaining whether there are any changes in equipment safety as a result of repairs that have been carried out or components that have been added or replaced.



Attention

The equipment must be inspected by someone **with the necessary expertise** in strict compliance with the instructions issued by Huck Seiltechnik GmbH & Co. KG.

A copy of the inspection record should be given to the operator, who must confirm receipt.

14 Maintenance printout

Name: Midi Birds Nest Tree / Art. 4652-10 _____

Location: _____

Customer or operator: _____
 (Town, Town council, School)

| Date of inspection | Inspector | O.K. | Accessible | Barriered | Defects | Repaired by | Date |
|--------------------|-----------|------|------------|-----------|---------|-------------|------|
| | | | | | | | |
| | | | | | | | |
| | | | | | | | |
| | | | | | | | |
| | | | | | | | |
| | | | | | | | |
| | | | | | | | |
| | | | | | | | |
| | | | | | | | |
| | | | | | | | |
| | | | | | | | |
| | | | | | | | |

Please copy and return once a year after main inspection has been carried out to the manufacturer by Telefax +49(0)6443/83 11 79! Place the confirmation form in the play equipment files

15 Hand over document



After the installation of the equipment pass the installation and maintenance documents to the operator. The operator has to receive the hand over documents. The complete filled and signed hand over document should be sent to the supplier.

Art.-Nr.: 4652-10

Gerätetyp: Midi Birds Nest Tree

Serial number: _____

Customer or operator (Town, Town council, School, etc.):

Competent person in charge:

Installation Company (address):

Responsible assistant (assembler):

Received the complete assembly instructions, maintenance instructions and maintenance printout.

(Signature of operator) (Signature of Installation Company)
(Stamp)

Date: _____