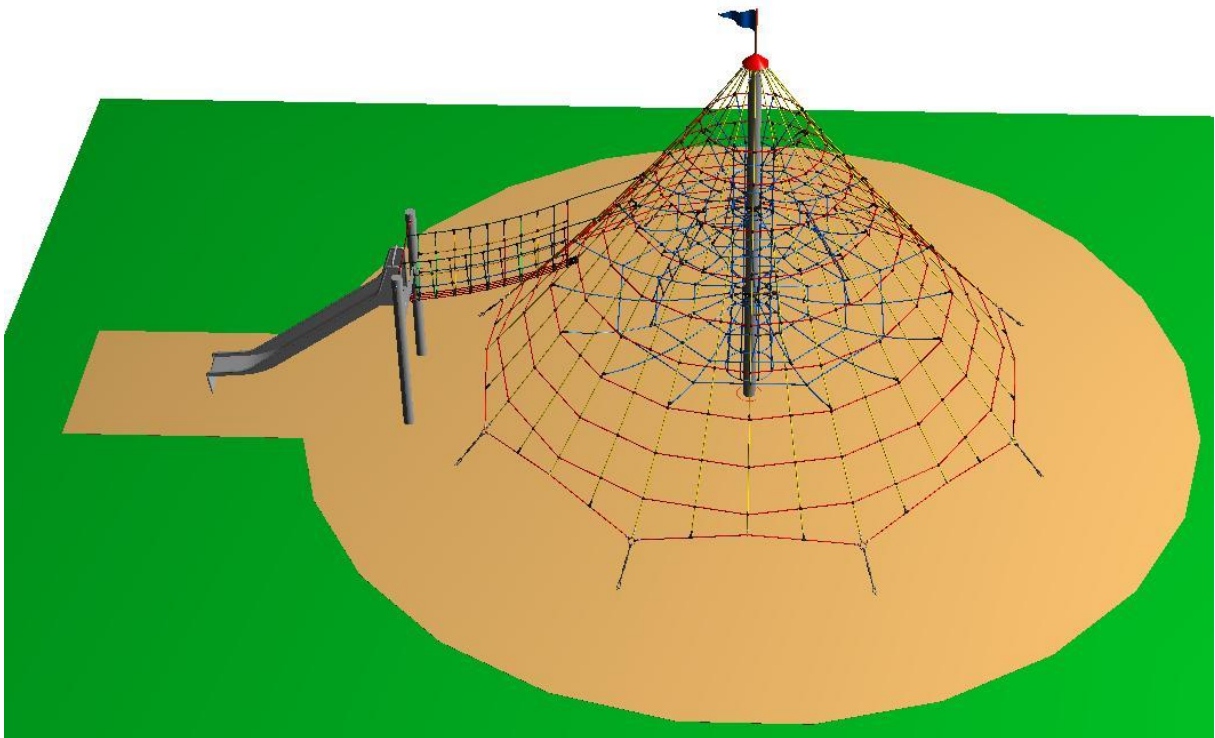


**A Assembly Instructions**  
**Art.-No. 4596S (steel post version installed in concrete)**  
**Art.-No. 4596S + Art.-No. 4596-1 (steel post version installed in concrete) with Stainless Steel Slide**



Operator: \_\_\_\_\_

Location: \_\_\_\_\_

**Revision history**

Revision 0 – 2009-10-19

The first allowed version

Assembly instructions

Revision 4 – 2014-02-19

Einbautiefe 1,25 m FH

All rights reserved

© Copyright 2009 Huck Seiltechnik GmbH

---

## Contents

<b>A</b>	<b>Assembly instruction Art.-No. 4596 (dig-in version with steel posts) + Art.-No. 4596-1 (to be set into concrete with steel posts)</b> .....	<b>1</b>
1	Introduction Assembling .....	4
2	Datasheet Rope Tower 2, article 4596 .....	5
3	Datasheet Net bridge and add-on slide, article 4595-1 .....	6
4	Delivery contents (parts list with part numbers) .....	8
5	Erection instructions .....	13
6	Post installation checks .....	32
<b>B</b>	<b>Maintenance instructions Art.-No. 4596 (dig-in version with steel posts) + Art.-No. 4596-1 (to be set into concrete with steel posts)</b> .....	<b>33</b>
7	Introduction Maintenance .....	35
8	General maintenance information .....	36
9	Specific maintenance advice .....	37
10	Maintenance timetable .....	38
11	Monthly maintenance .....	40
12	Quarterly maintenance .....	40
13	Annual maintenance .....	41
14	Maintenance printout .....	43
15	Hand over document .....	45

## List of Tables

Table 3-1: Delivery contents, in words .....	8
Table 3-2: Delivery contents, in symbols .....	10

---

# 1 Introduction Assembling

## 1.1 General information

This equipment should be installed, inspected, maintained and operated in accordance with EN1176-7 guidelines.

**Before installation work commences, please check that you have all of the equipment and fixation components in the parts list provided (see Tables 3-1 and 3-2).**

Any spare parts that may be required can be obtained directly from your supplier.



**Attention**

Following installation, complete assembly instructions, maintenance instructions and a maintenance record must be sent to the operator who must confirm receipt in writing. See the last page of this document.



**Attention**

All nuts and bolts are hot-dip galvanised or stainless steel.

One of the characteristics of stainless steel is that uncontrolled cold welding may occur when the nuts are tightened. To prevent this, it is necessary to spray the nuts and bolts with Teflon spray or another similar lubricant.

---

**We hereby confirm that this play equipment has been tested and certified in accordance with the play equipment standard EN 1176.**

## 2 Datasheet Rope Tower 2, article 4596

1. Space requirement:  $\varnothing$  8.00 m and/or  $\varnothing$  10 m including safety zone,  
 (PS = see top view).  
 Height of fall 1.50 m

2. Required safety surface:

Surface material	Description mm	Minimum thickness of layer mm	Maximum height of fall mm
Topsoil grass			$\leq$ 1000*
Chipped bark	20 – 80 grain size	300/400	$\leq$ 2000/3000
Wood chippings	5 – 30 grain size	300/400	$\leq$ 2000/3000
Sand	0.2 – 2 grain size	300/400	$\leq$ 2000/3000
Gravel	2 – 8 grain size	300/400	$\leq$ 2000/3000
Other ground materials	As recommended by manufacturer		

3. Name and overall dimension of the largest component:  
 Steel post (1 item) length 5.30 m,  $\varnothing$  193.7 mm
4. Name and weight of the heaviest component:  
 Steel post (1 piece) approx. 140 kg
5. Intended age group: 6 years and over
6. Concrete: C25/30  
 Required concrete: 2,72 m<sup>3</sup>  
 Foundations / area to be excavated:  
 1x 1,20 m long x 1,20 m wide, 1,25 m deep including 10 cm drainage layer  
 8x 0,80 m long x 0,80 m wide, 1,10 m deep including 10 cm drainage layer
7. Assembly time, once foundations of Art. 4596S are complete:  
 5 - 6 hours. Required assistance: 2 - 3 people.
8. Any spare parts which may be required can be obtained directly from  
 your supplier.
9. **We hereby confirm that this item of play equipment has been tested and  
 certified in accordance with the play equipment standard EN 1176.**

### 3 Datasheet Net bridge and add-on slide, article 4595-1

10. Space requirement: PS= see top view.  
Height of fall 1.75 m

11. Required safety surface:

Surface material	Description mm	Minimum thickness of layer mm	Maximum height of fall mm
Topsoil grass			<= 1000*
Chipped bark	20 – 80 grain size	300/400	<= 2000/3000
Wood chippings	5 – 30 grain size	300/400	<= 2000/3000
Sand	0.2 – 2 grain size	300/400	<= 2000/3000
Gravel	2 – 8 grain size	300/400	<= 2000/3000
Other ground materials	As recommended by manufacturer		

12. Name and overall dimension of the largest component:  
Steel posts (2 items) length 3.50 m, ø 159 mm

13. Name and weight of the heaviest component:  
Steel posts (2 pieces) approx. 120 kg

14. Intended age group: 6 years and over

15. **Please note that this equipment is set in concrete.**

Concrete: C25/30

Required concrete: 1.12 m<sup>3</sup>

**Foundations / area to be excavated:**

2 x 1.40 m long x 0.80 m wide x 0.50 m deep / total depth 0.90 m including 10 cm drainage

1 x 0.60 m long x 0.30 m wide x 0.10 m deep / total depth 0.50 m including 10 cm drainage

16. Assembly time, once foundations complete:  
2 - 3 hours. Required assistance: 2 - 3 people.

17. Any spare parts which may be required can be obtained directly from your supplier

**We hereby confirm that this item of play equipment has been tested and certified in accordance with the play equipment standard EN 1176.**

## **Drawings / Views**

All optical drawings are showing only the measurements/dimensions and are no mandatory technical views of the complete item.

We reserve the right to change technical details of our articles which are serving for the further development of our articles and are reasonable for the customer.

## **Measurement tolerances**

Because of the properties and characteristics of the components, minor measurement tolerances compared to the indication on the sketches are possible.

This concerns all shown measurements except the foundation measurements resp. measurements below upper edge ground level/play area.

## 4 Delivery contents (parts list with part numbers)

### 4.1 In words

Table 3-1: Delivery contents, in words




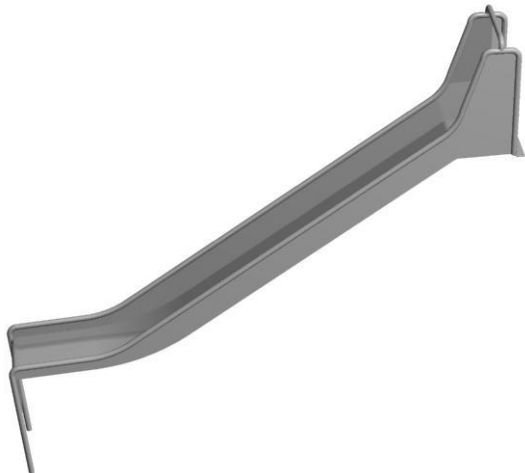
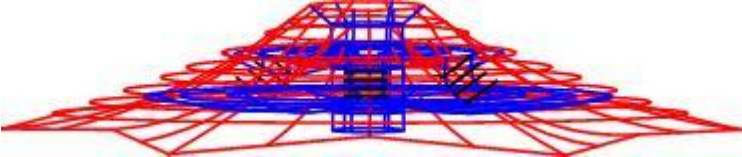
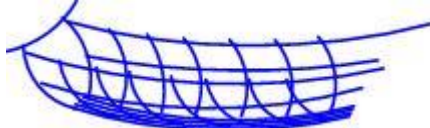



Pos.	Quantity	Element / Description	Size	O.K.	Missing
1	1	Steel mast	Ø 193.7 mm 5.30 m lg		
2	2	Steel mast	Ø 159 mm 3.50 m lg		
3	1	Traverse for slide	50/50/5-1500 mm		
4	1	Stainless Steel Slide			
5	1	Net tower component			
6	1	Net bridge			
7	2	Red cover caps with self-drilling screws (6 pcs.)	Ø 159 mm 5 x 30 mm		
8	1	Middle post cover cap,			
100	8	Turnbuckles	M16 galv.		
101	8	Anchor chains			
102	1	Assembly plate	Ø 360 mm		
103	4	Clamp protection rings	Two-part		
104	24	Spax screws	4,5 x 50 mm VA		
105	1	Blue flag with threaded bolt	M16 x 460 mm		
106	16	Hexagon screws (Net to top plate)	M16 x 30 mm galv.		
107	16	Toothed washers (Net to top plate)	M16		
108	4	Hexagonal screws (Top plate to mast)	M12 x 30 galv.		
109	4	Toothed washers (Top plate to mast)	M12		
110	2	Loctite (small bottles)			
111	4	Guiding ropes			
112	8	Ground pegs with bow shackles			
114	4	washers	M8		
114A	4	Hexagonal screws	M8x60		
115	2	Hexagonal screws	M12 x 70 mm		
116	4	Lock nuts	M12		
117	4	Washers	M12		


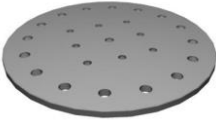


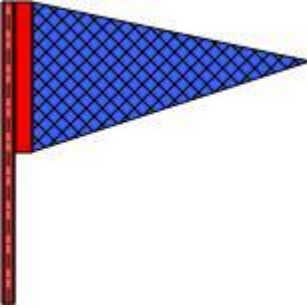
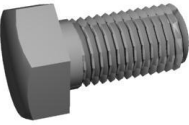

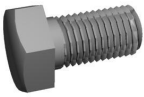





















Pos.	Quantity	Element / Description	Size	O.K.	Missing
118	4	Blue/yellow cover caps	M12		
119	2	Carriage bolts with U washers, stop nuts and cover caps (black)	M8 x 90		
120	6	Socket-head screws	M6 x 35 mm		
121	6	Lock nuts	M6		
122	6	Washers	for M6		
		Black text = components for rope net tower			
		Blue text = components for bridge and slide			

## 4.2 In symbols

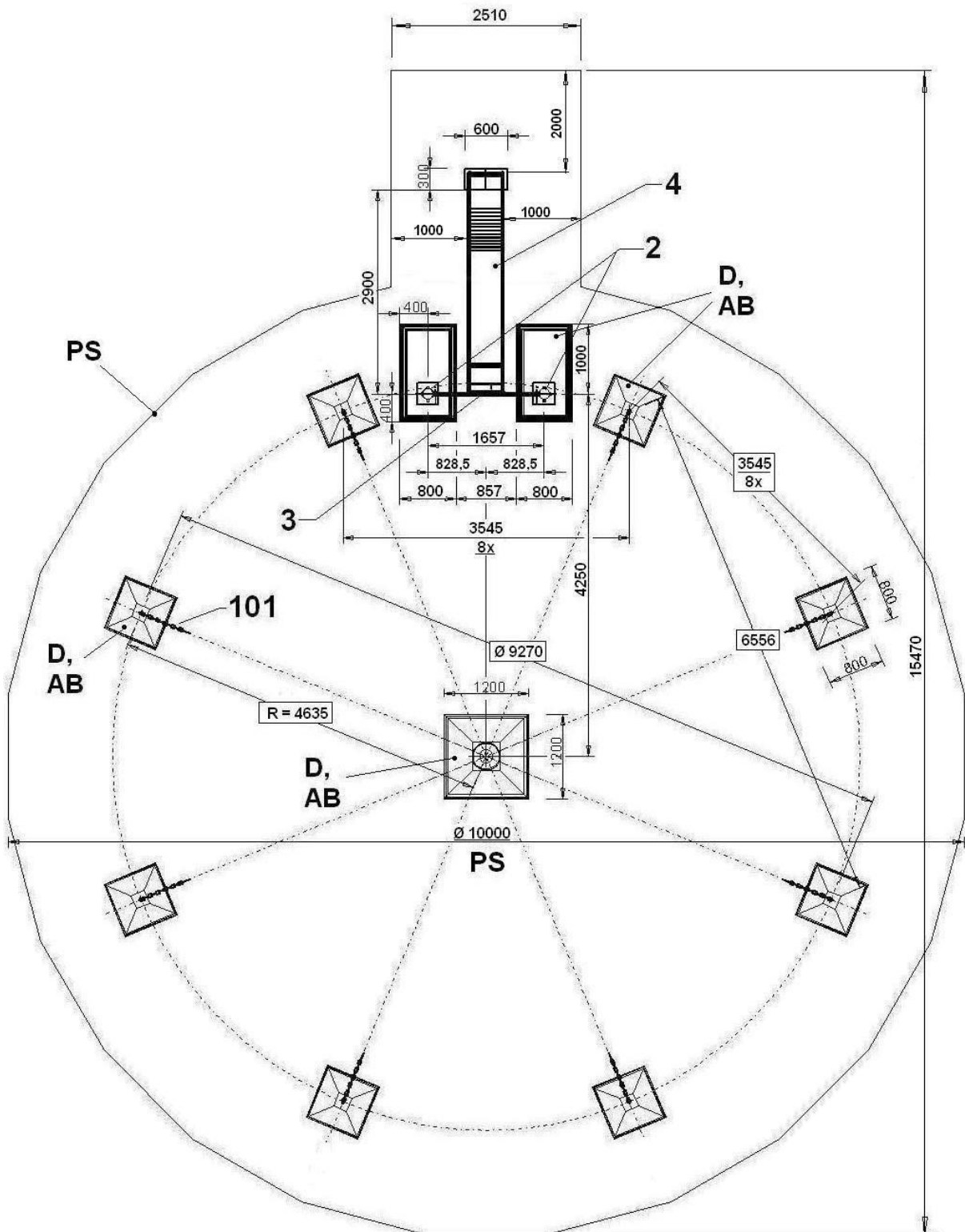
Table 3-2: Delivery contents, in symbols

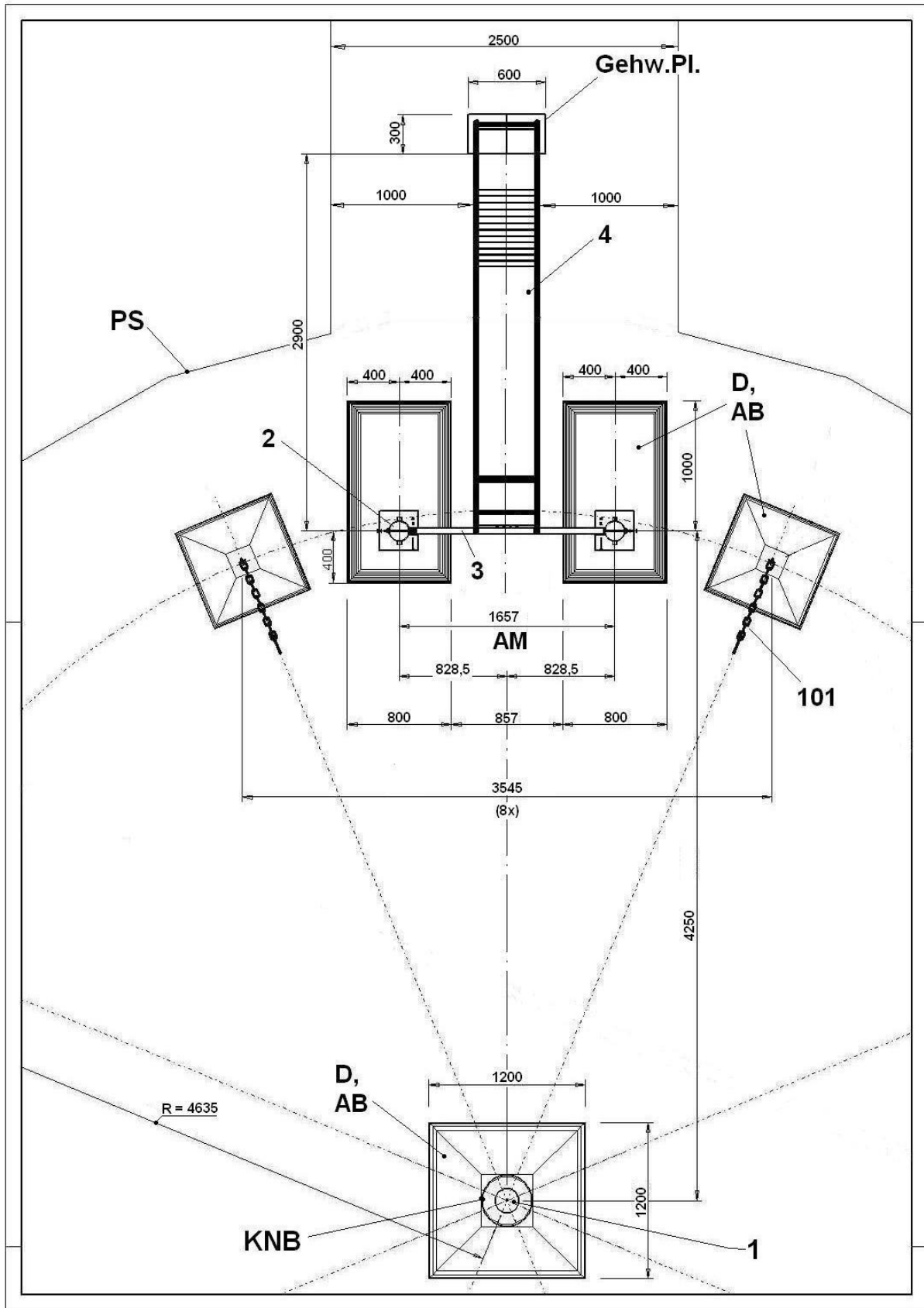
Pos.	Quantity	Symbol
1	1	 Ø 193,7 mm, 5,30 m
2	2	 Ø 159 mm, 3,50 m
3	1	 50/50/1500 mm
4	1	
5	1	
6	1	
7	2	 Ø 159 mm      5 x 30 mm
8	1	 Ø 375 mm
100	8	 M16 verz.

Pos.	Quantity	Symbol
101	8	 <p style="text-align: right;">13er</p>
102	1	 <p style="text-align: right;">Ø 360 mm</p>
103	4	
104	24	 <p style="text-align: right;">4,5 x 50 mm VA</p>
105	1	
106	16	 <p style="text-align: right;">M16 x 30 mm</p>
107	16	 <p style="text-align: right;">f. M12</p>
108	4	 <p style="text-align: right;">M12 x 30 mm</p>
109	4	 <p style="text-align: right;">f. M12</p>
110	2	 <p style="text-align: right;">Loctite</p>
112	8	 <p style="text-align: right;">500 mm</p>

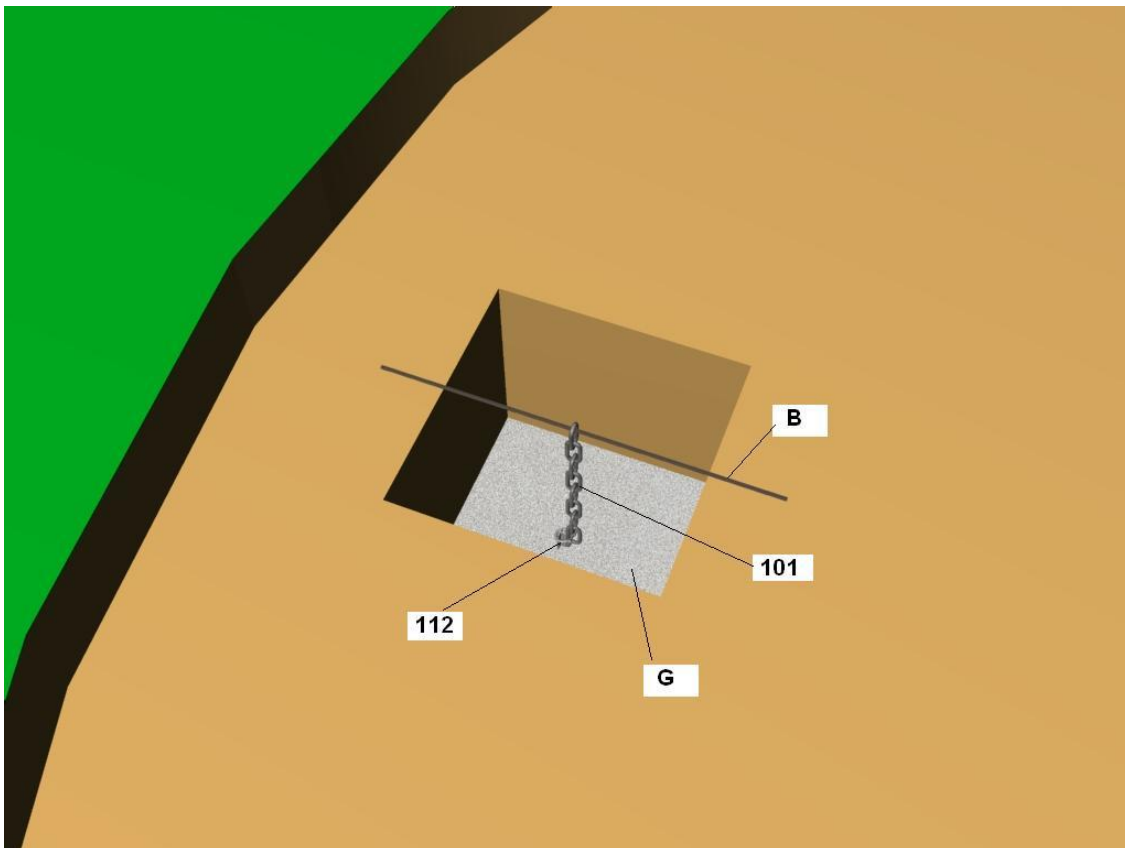
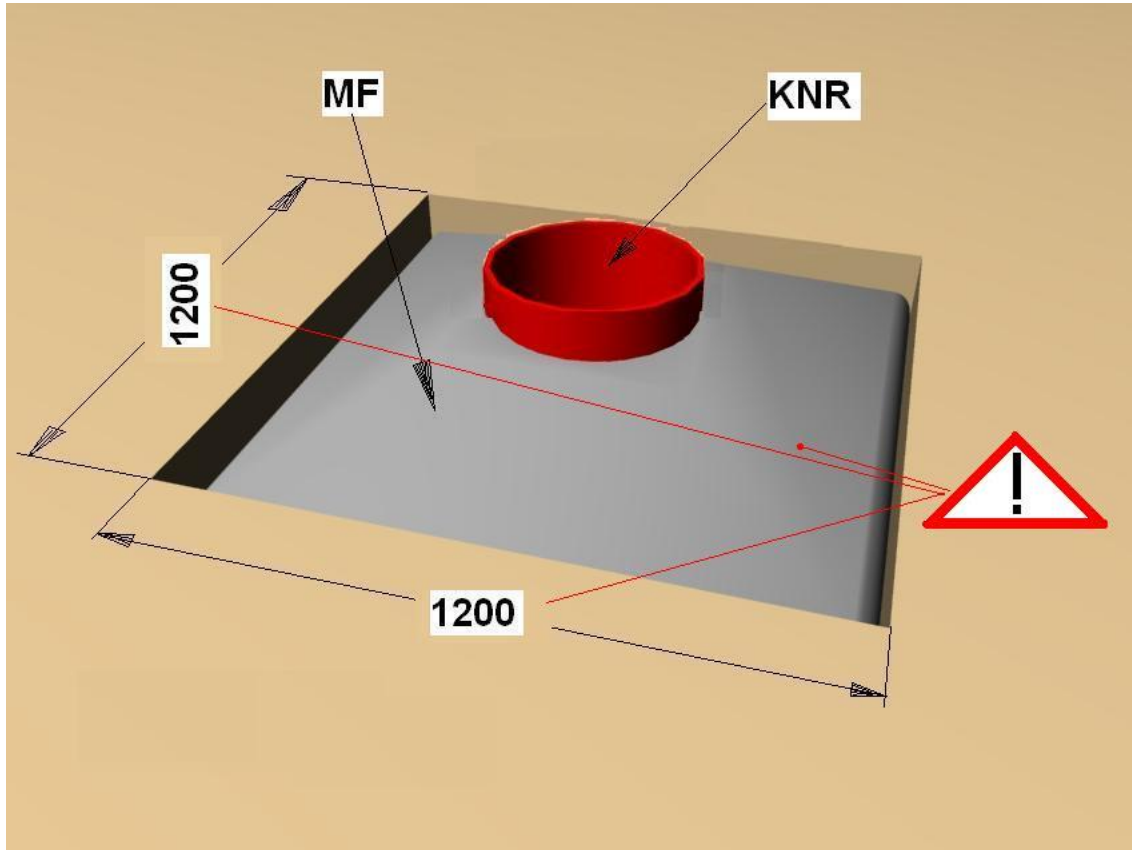
Pos.	Quantity	Symbol
114	4	 f.M8
114A	4	  M8 x 60
115	2	  M12 x 70
116	4	 M12 VA
117	4	 f. M12
118	4	 f. M12
119	2	    M8 x 90 mm
120	6	  M6 x 35 mm
121	6	 M6
122	6	 f. M6

## 5 Erection instructions

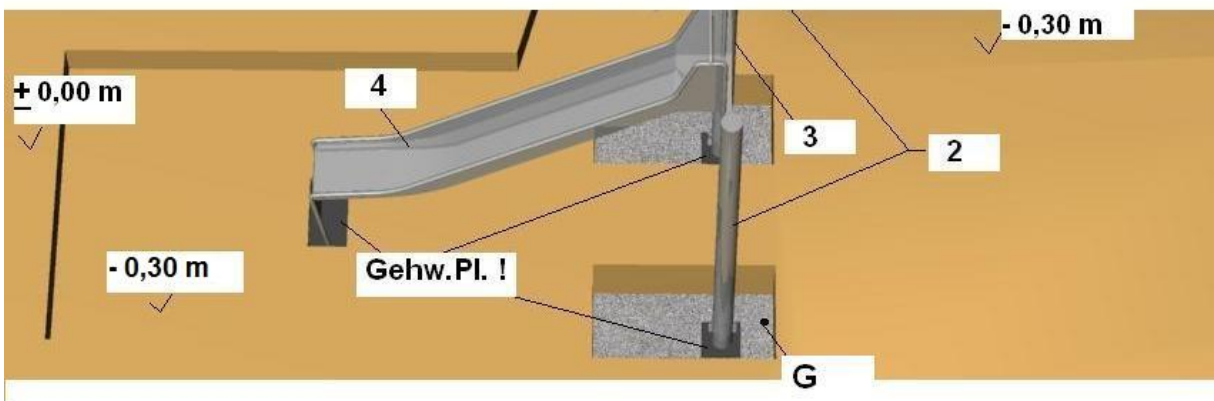
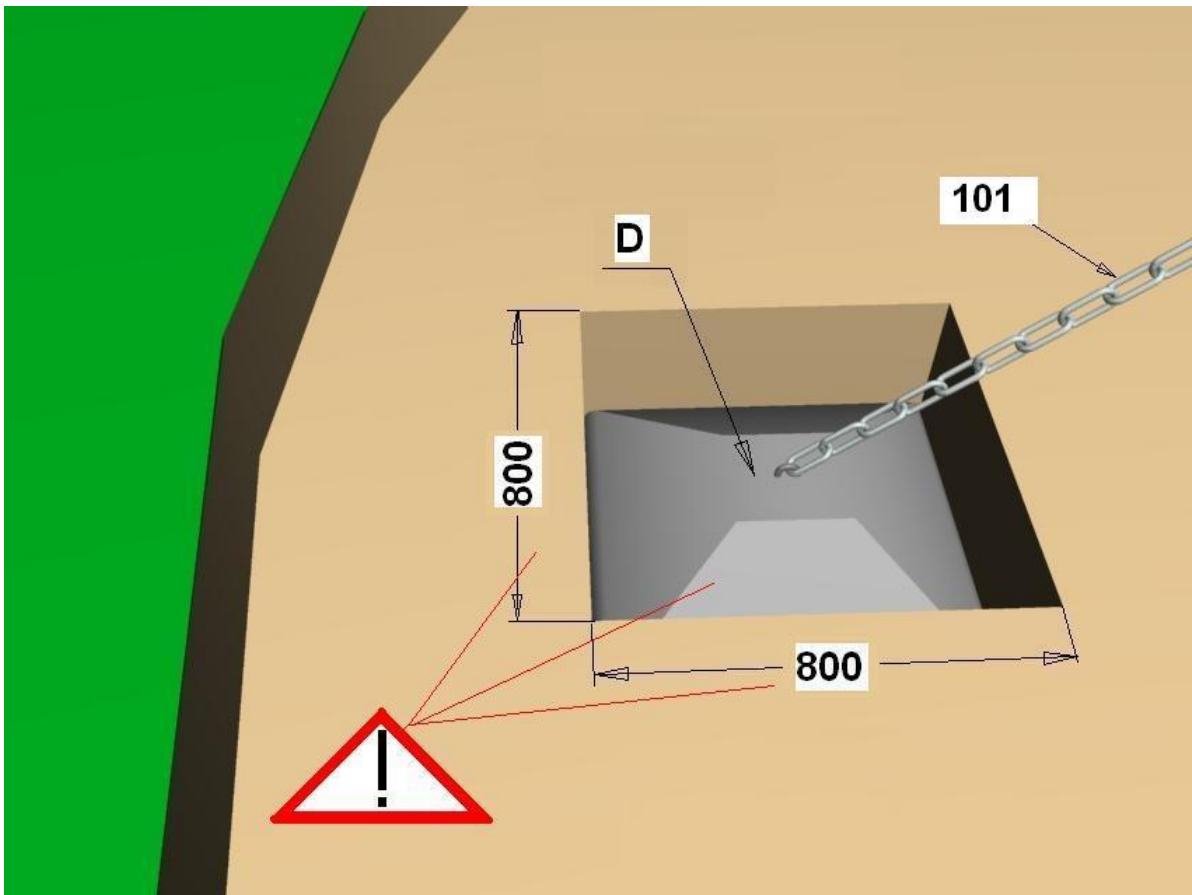


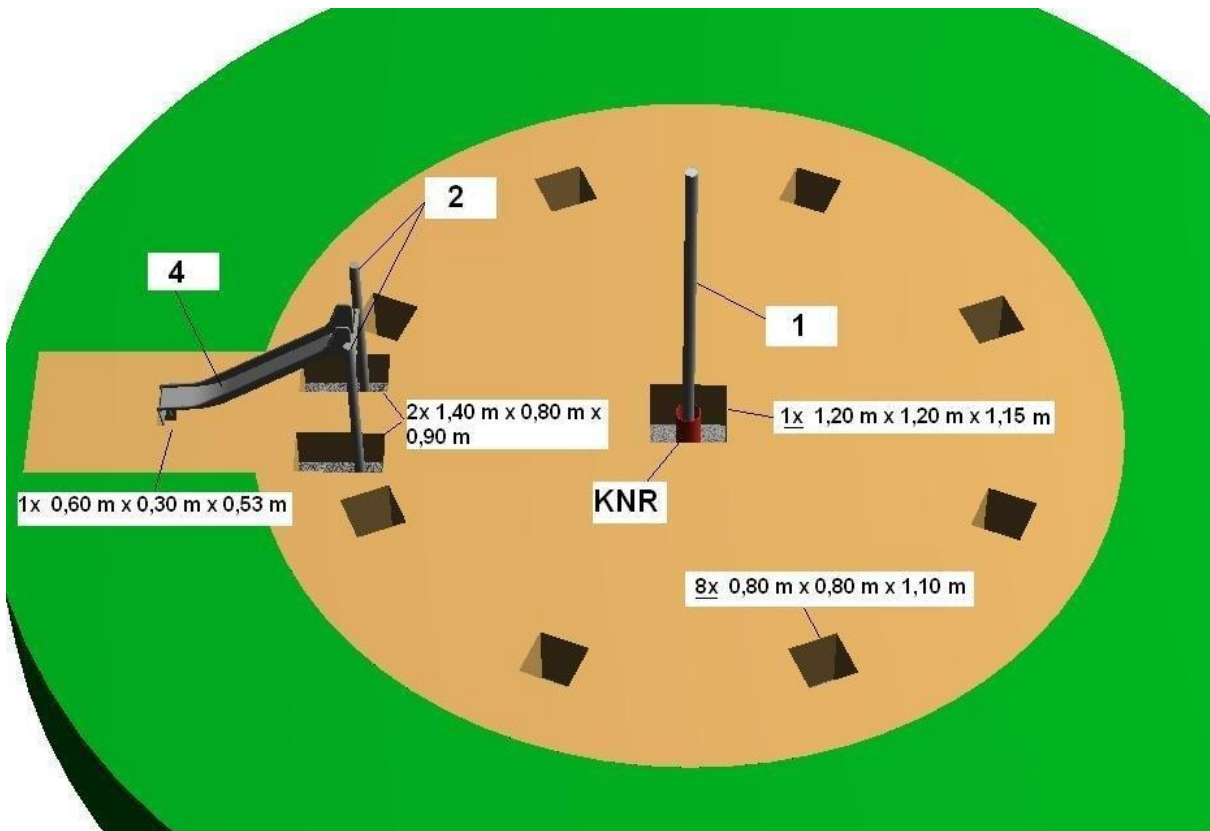




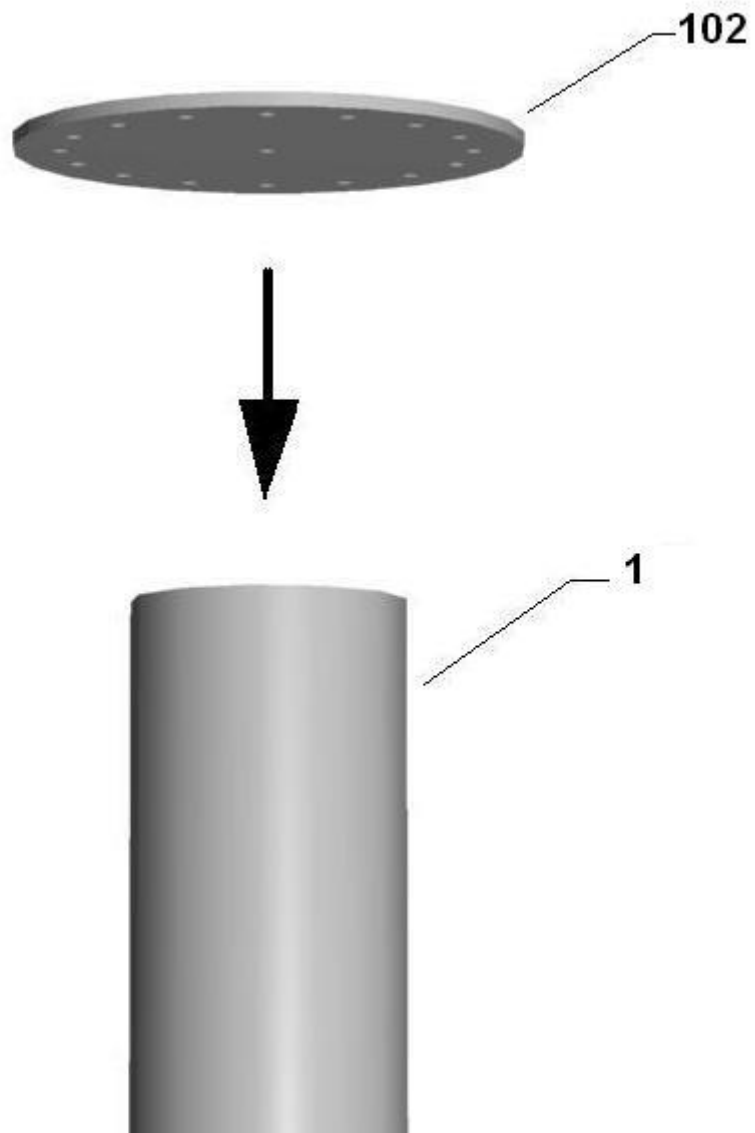


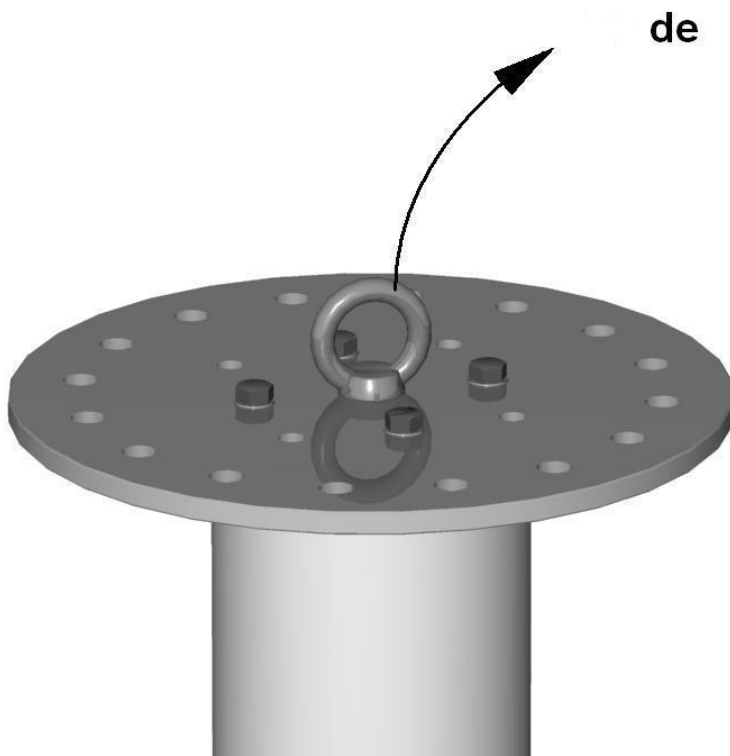
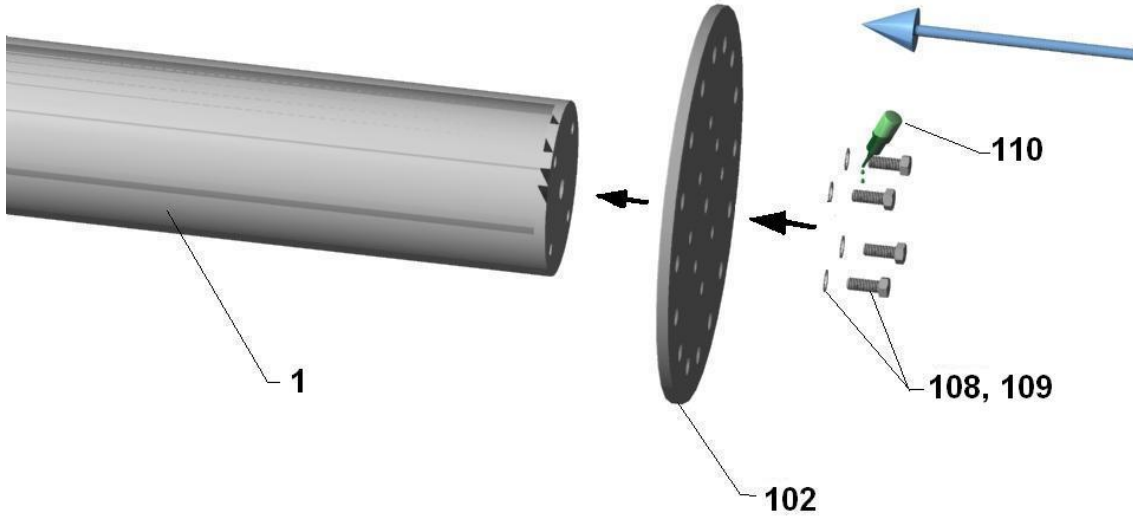


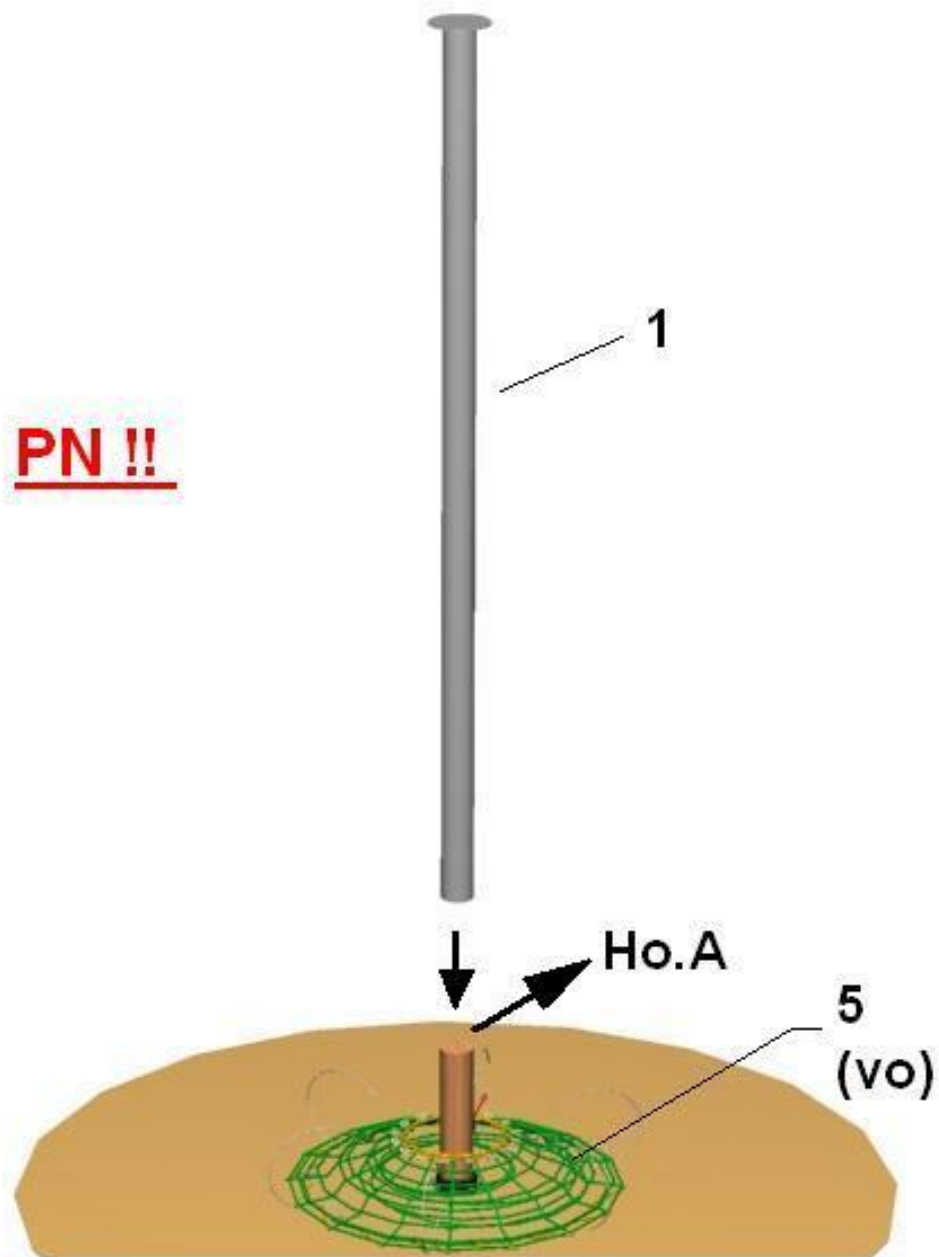


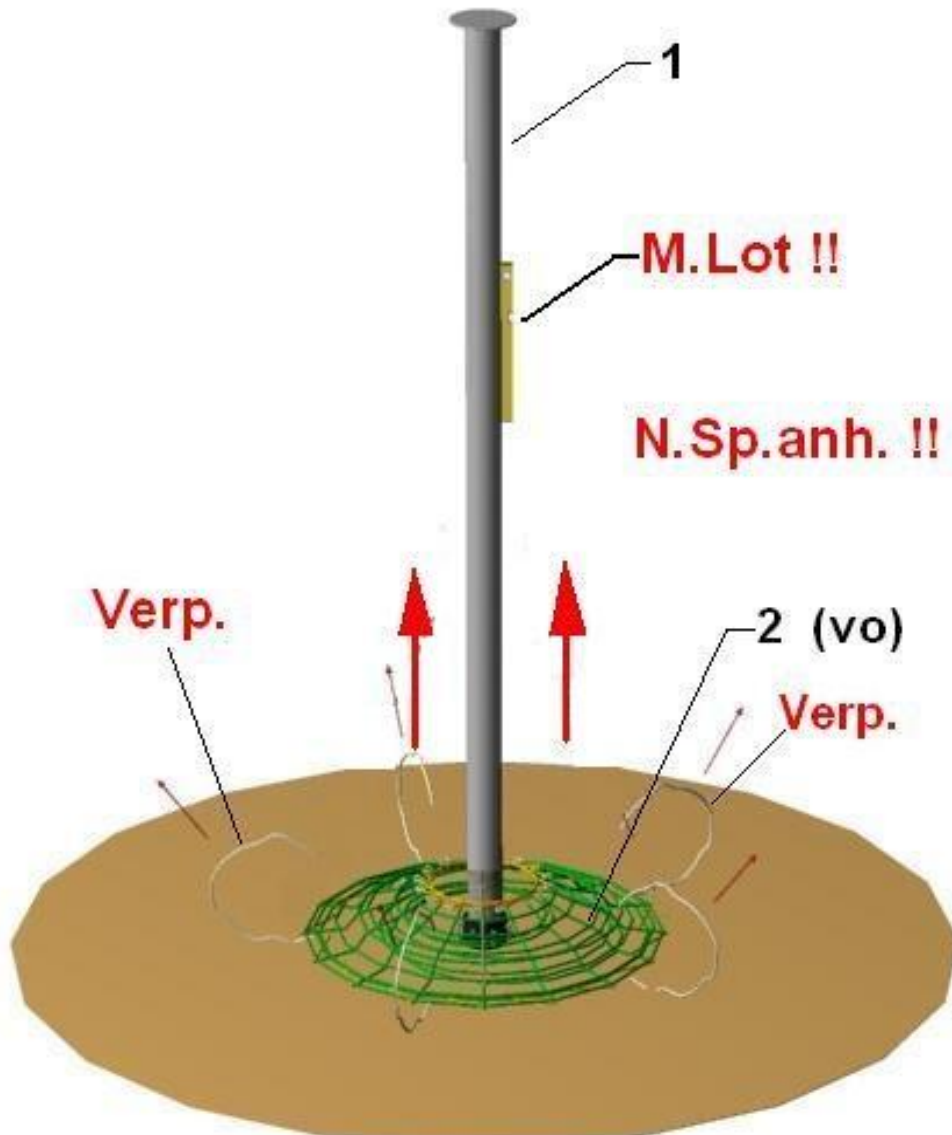


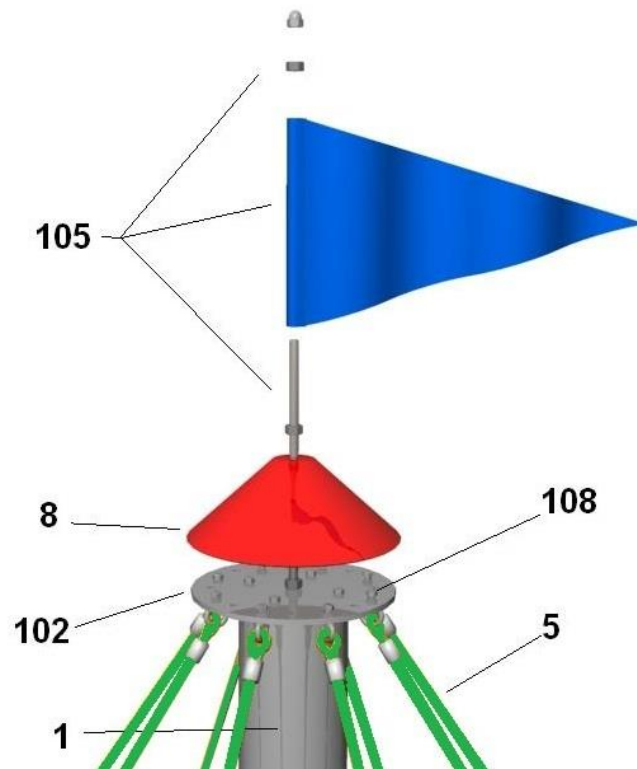
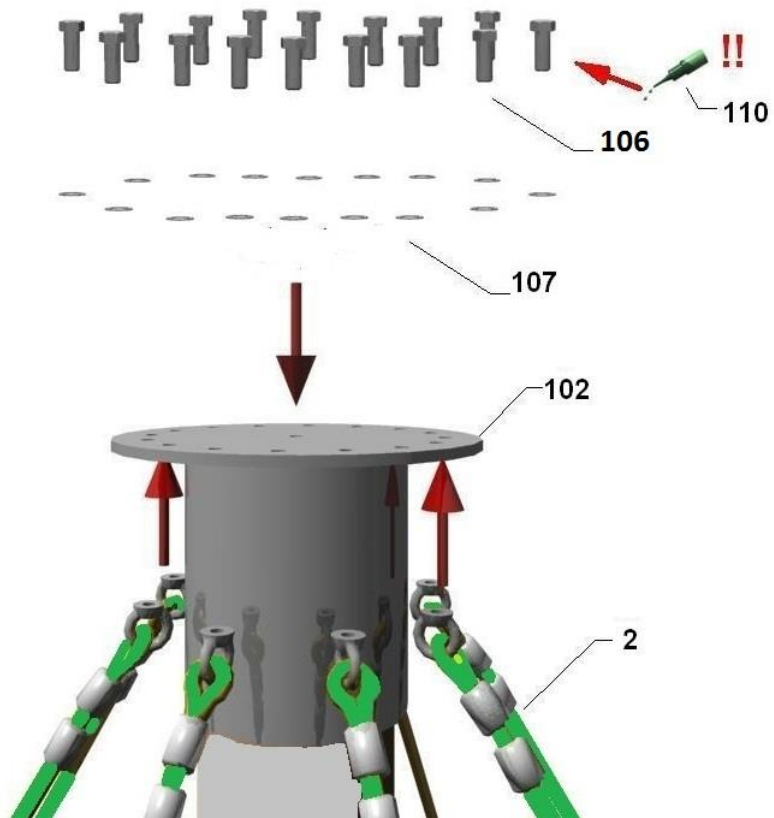
Please note! Do not keep excavated material in foundation area,  
Please note! Bring all foundation floors to one level!

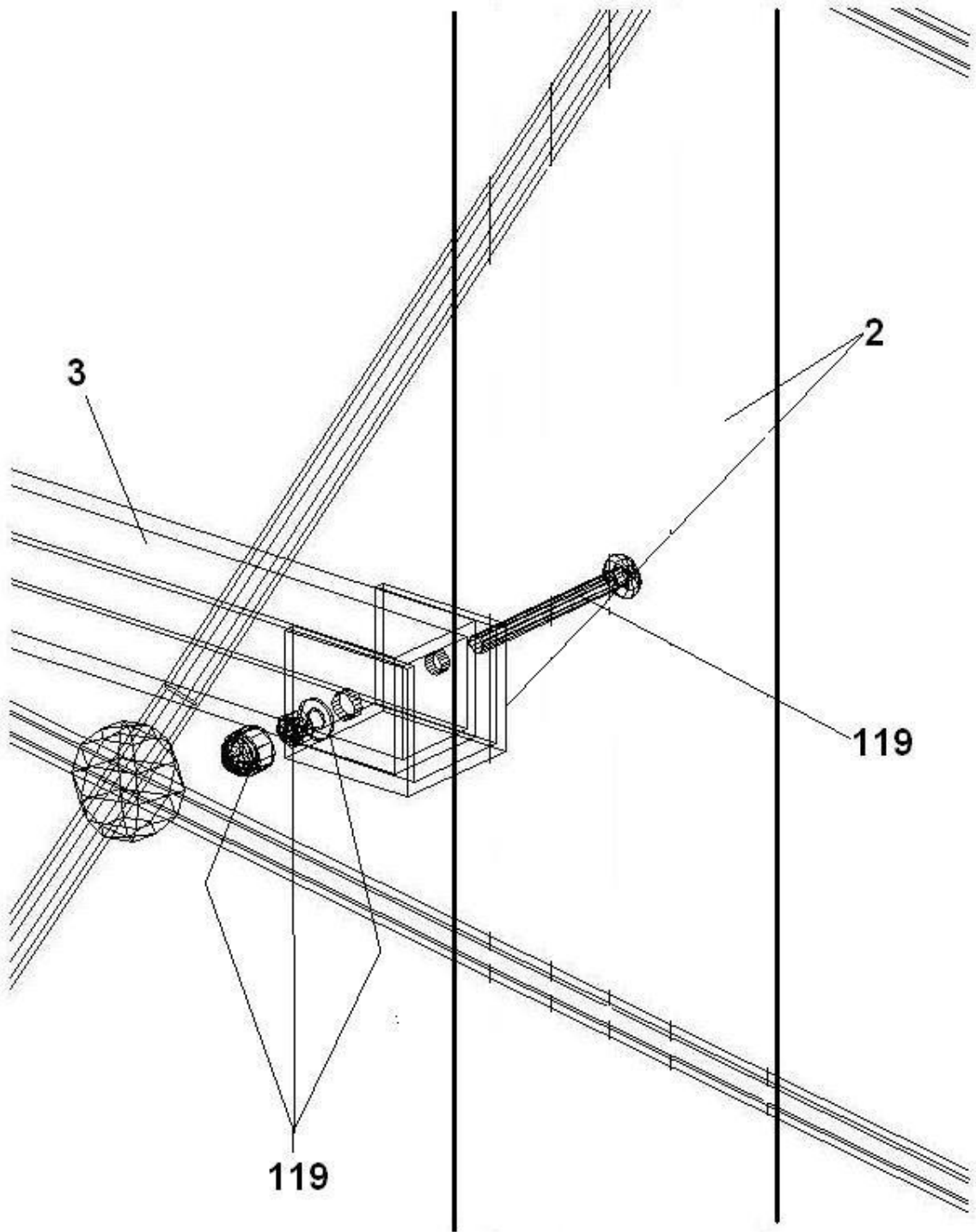




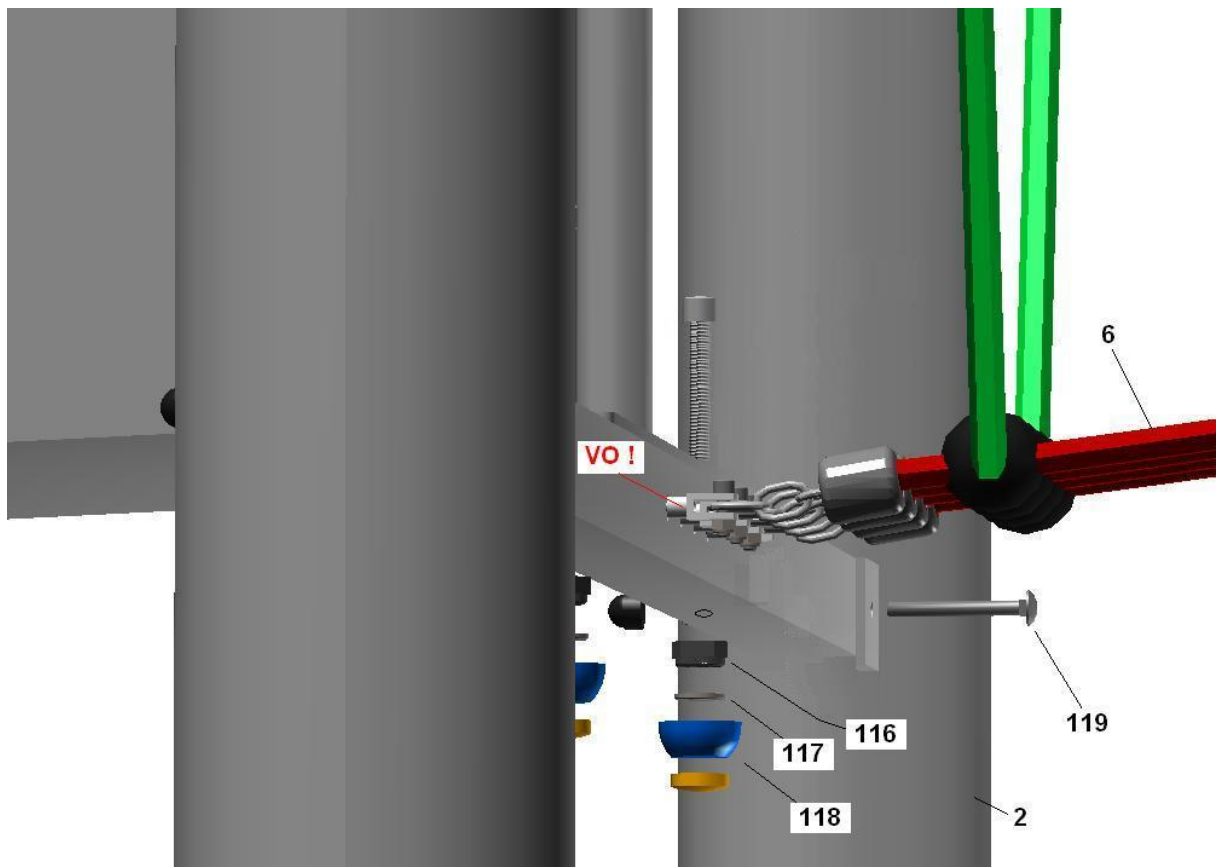
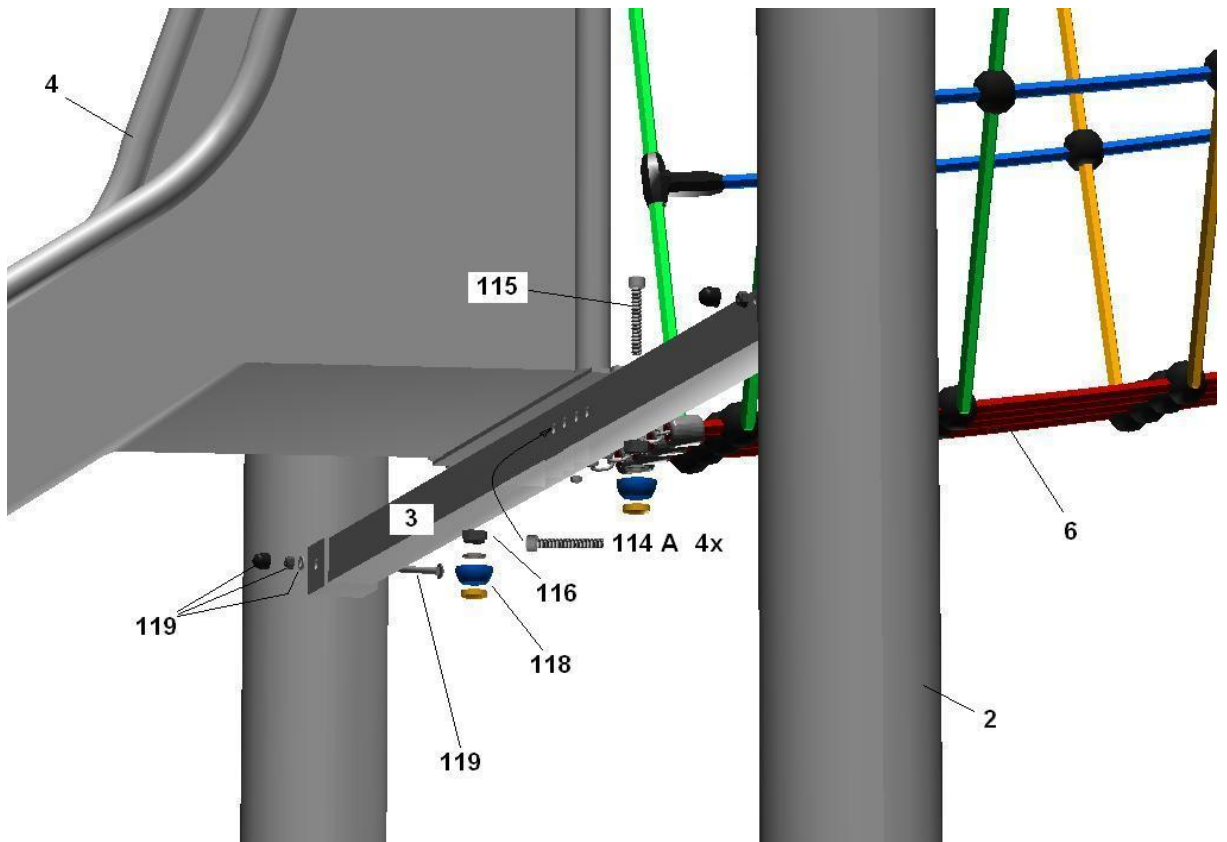


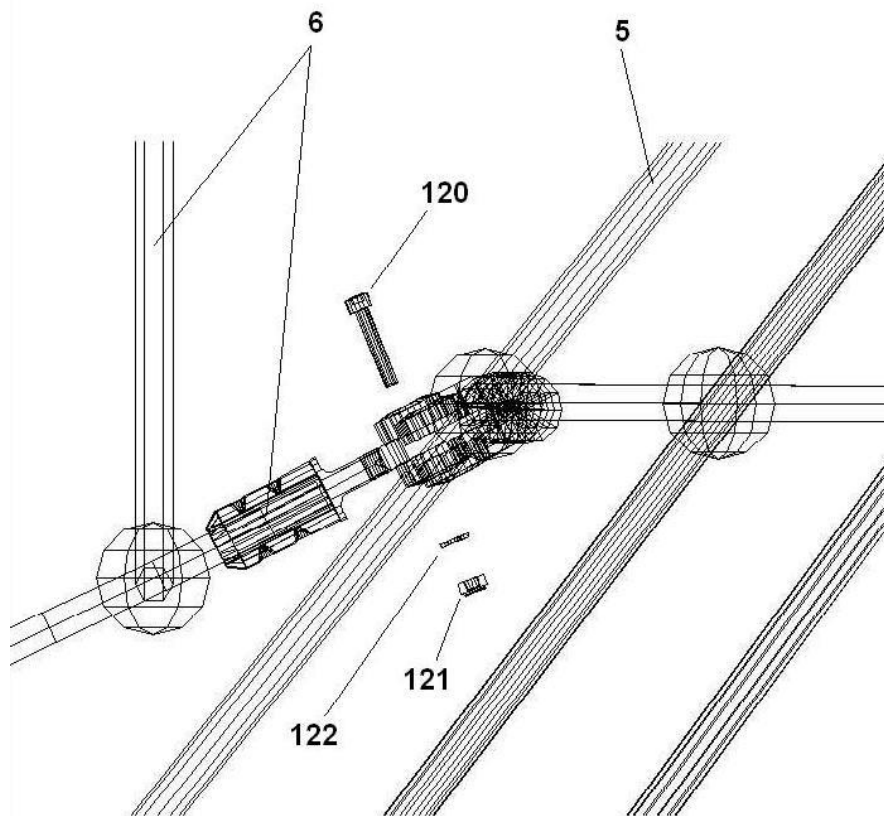
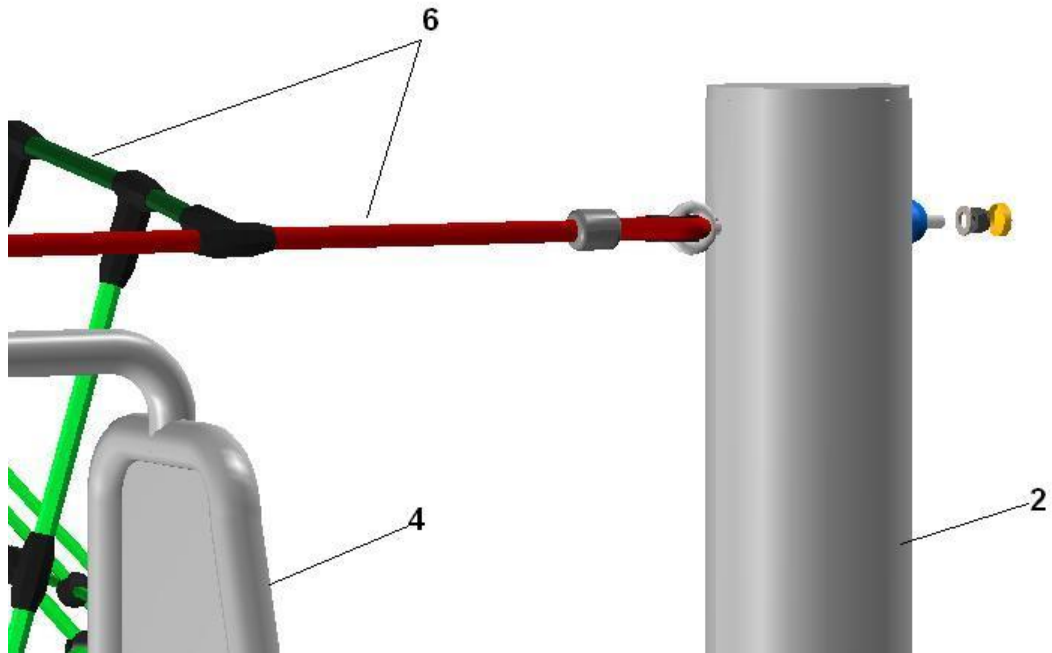


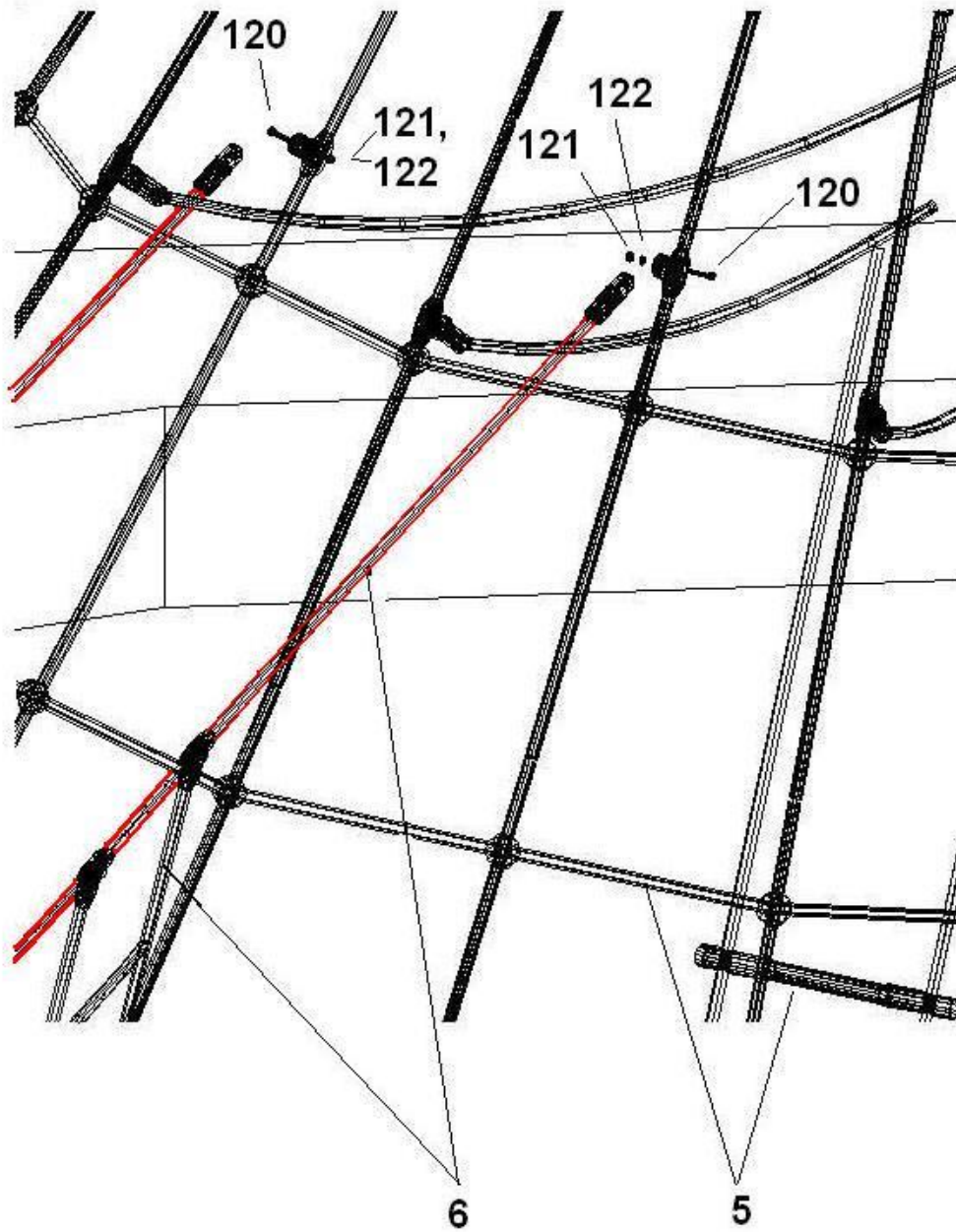


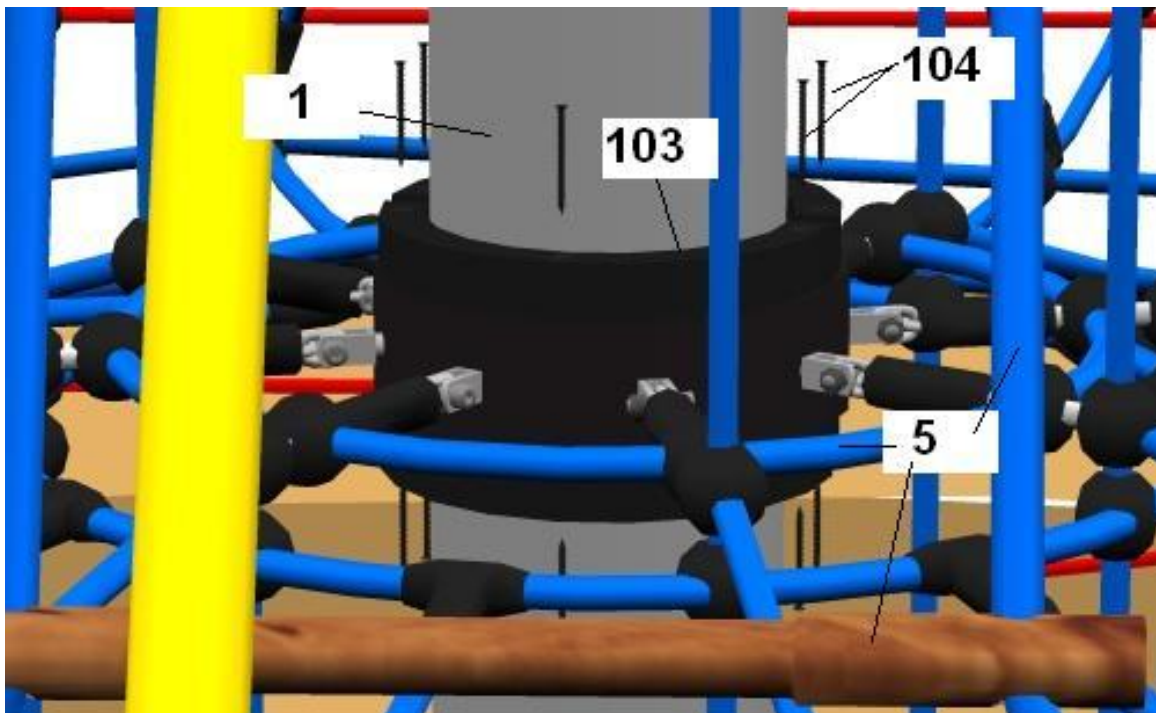
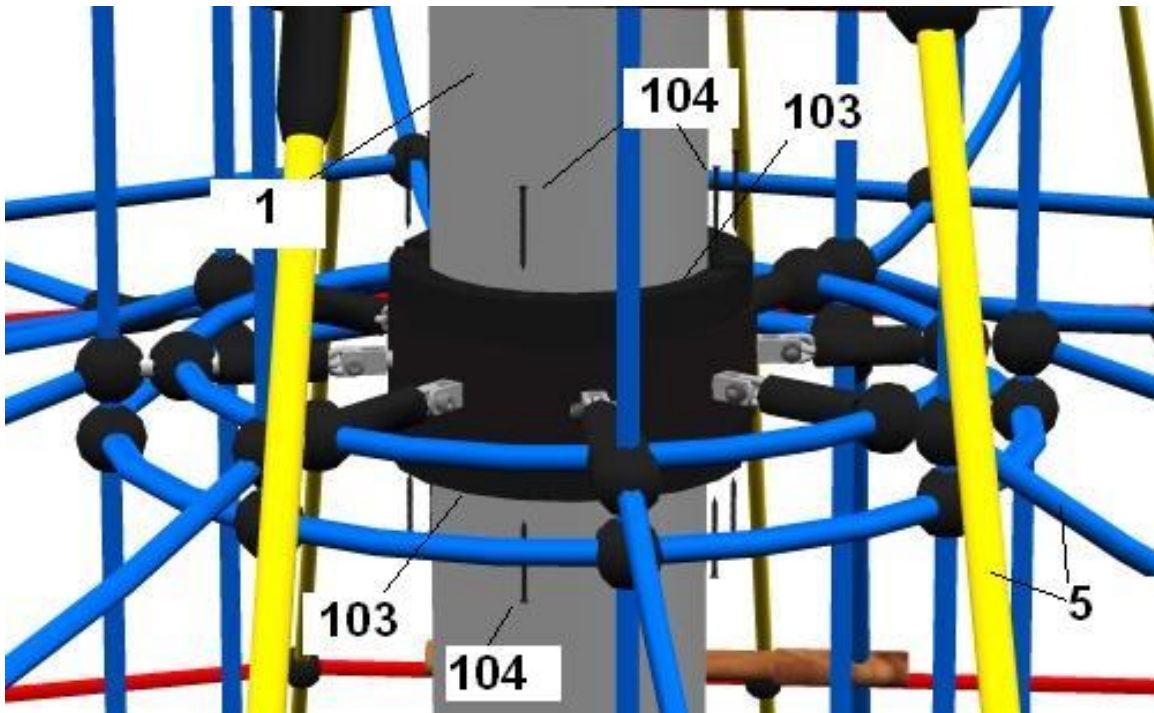


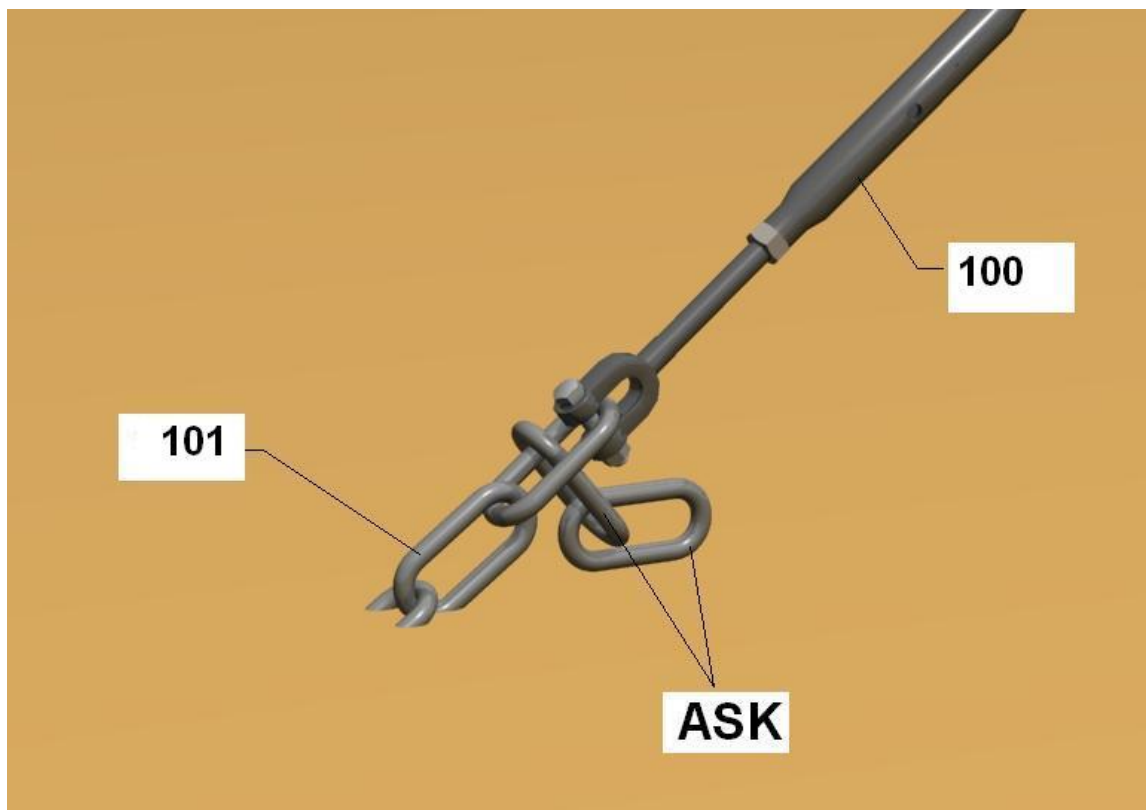
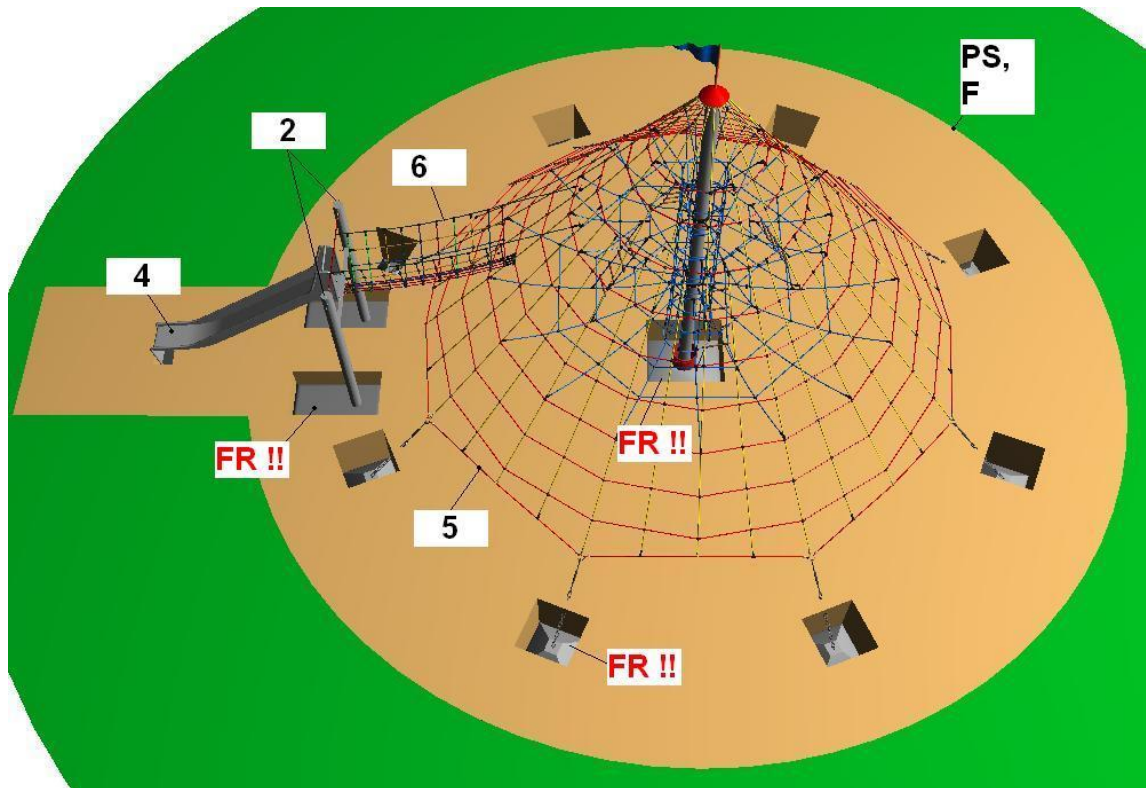












	Version: Rope net tower 2 with steel posts and stainless steel slide Art. No. 4596 + 4596-1
<b>A</b>	View
<b>AB</b>	Setting time at least 7-8 days
<b>ABE</b>	Attention! For assembly with sand sub-base, round off the foundations! Radius 100 mm
<b>ASK</b>	Anchor chains <b>(are to be adjusted once assembled, i.e. after all 8 chains are pulled tight, the remaining chain links are to be cut off using bolt-cutters or angle grinder!)</b>
<b>AM</b>	Axial dimensions
<b>B</b>	Cross-bar supplied on-site to help concrete in the anchor chains
<b>BO</b>	It is necessary to slope and round off the top of concrete foundations.
<b>D</b>	Concrete C25/30 (for foundations) Concrete requirement: ~3.84 m <sup>3</sup>
<b>Dt</b>	Detail
<b>FU</b>	Foundation
<b>F</b>	Fall protection
<b>FR !!</b>	Round off foundations - radius at least 10 cm
<b>Gehw.PI.!</b>	Sidewalk stone - supplied onsite
<b>G</b>	Drainage layer
<b>Ho.A</b>	Wooden post adaptor
<b>HIS</b>	Lifting rope
<b>KNR</b>	Empty pipe (e.g. concrete canal pipe)
<b>LM</b>	Clear dimensions
<b>N.Sp.anh. !!</b>	Elevate pre-assembled mesh and/or play components with adequately sized lifting equipment (e.g. excavator) for assembly.
<b>ML</b>	Mast length above play level
<b>MF</b>	Middle foundation
<b>M.Lot !!</b>	Erect mast /posts absolutely vertically!!
<b>RU</b>	Slide
<b>VO</b>	Pre-fitted
<b>O.K</b>	Upper play level
<b>PS</b>	safety range~ 115 m <sup>2</sup>
<b>PN !!</b>	Net component “package” (tied up with wood adaptor <b>Ho.A</b> ) is arranged centrally across the central mast anchor. Wood adaptor is carefully removed and afterwards steel central mast item 1 is placed and fixed centrally in the central mast anchor.

---

	Fix net with pressed-in bolts above to central mast plate, as illustrated.
<b>S</b>	Section
<b>RS</b>	Guiding rope
<b>Verp.</b>	Open packing cord
<b>Wbu.</b>	Rigging screw (is to be wrapped with cover band around the middle before assembly by the owner)
<b>WH</b>	Important note

**See drawings**

---

## 6 Post installation checks

---



If the equipment has not been installed safely, you must ensure that the public is prevented from using it.

---

### 6.1 Marking filler depth

- Labelling the posts to show the depth of material provided as fall protection (i.e. loose filler).

### 6.2 The equipment has not been installed safely in the following cases:

- Safe equipment installation is not complete.
- The protective surface has not been installed yet.
- Appropriate maintenance work cannot guarantee operational safety.

### 6.3 Removal of all assembly aids

- Please make sure that all assembly aids have been removed from the playing area. The equipment must not be approved for use until this check has been made.

### 6.4 Information about inspection of the equipment before it is used for the first time

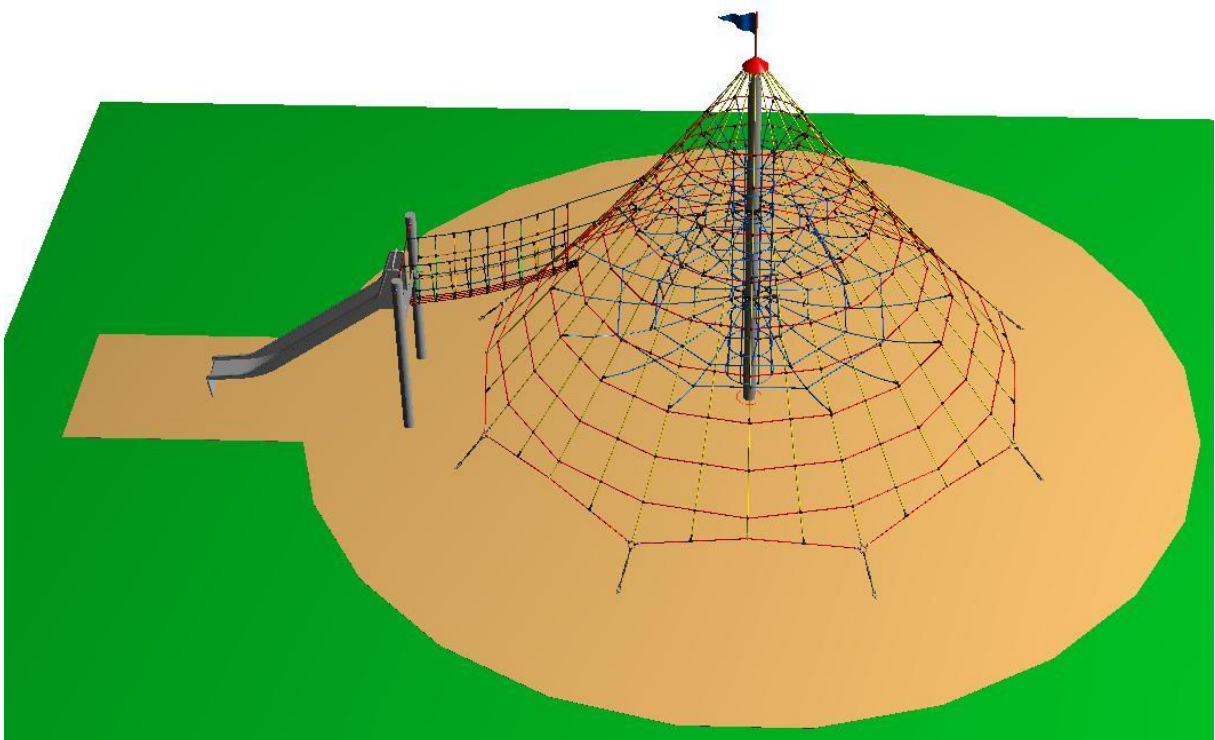
- There are no special inspection requirements to be met before the equipment is used for the first time.

### 6.5 Retighten bolts

- After one week of play, please retighten all bolts again. Later upon respective maintenance.



**B Maintenance instructions**  
**Art.-No. 4596S (steel post version installed in concrete)**  
**Art.-No. 4596S + Art.-No. 4596-1 (steel post version installed in concrete) with Stainless Steel Slide**



**Revision history**

Revision 0 – 2009-10-19

The first allowed version

Maintenance instructions

Revision 4 – 2014-02-19

Einbautiefe 1,25 m FH

All rights reserved

© Copyright 2009 Huck Seiltechnik GmbH

---

## 7 Introduction Maintenance

### 7.1 General informations

This equipment should be installed, inspected, maintained and operated in accordance with EN 1176-7 guidelines.



**Please note:** Providing any necessary repairs are carried out, a piece of play equipment that is inspected regularly cannot become so damaged that it is dangerous.

---

Any spare parts which may be required can be obtained directly from your supplier.



This equipment should only be assembled, maintained and repaired by **persons with the necessary expertise**.  
**A copy of the inspection record should be given to the operator, who must confirm receipt.**

---

**This maintenance instruction is based on the standard  
“EN 1176-1:2008”.**

---

## **8 General maintenance information**

### **8.1 Maintenance intervals**

Maintenance intervals are based on average use. Please note that more frequent inspections and/or maintenance are required if the play equipment is subject to intensive use.

### **8.2 Inspection frequency**

The frequency of inspections must be based on actual use. Factors that affect frequency include vandalism, location (e.g. coastal proximity), air pollution and the age of the equipment.

### **8.3 Maintenance products and procedures**

All nuts and bolts are hot-dip galvanised or stainless steel. One of the characteristics of stainless steel is that uncontrolled cold welding may occur when the nuts are tightened. To prevent this, it is necessary to spray the nuts and bolts with Teflon spray or another similar lubricant.

### **8.4 Spare parts**

All spare parts must conform to the manufacturer's specifications.

### **8.5 Identifying spare parts**

All spare parts are listed in the parts list. The parts list follows the installation requirements.

### **8.6 Special instructions for the disposal of individual equipment components**

No special instructions are necessary for the disposal of individual equipment components.

### **8.7 Special measures during the break-in period**

No later than 2 weeks after assembly, all screwed connections should be checked and tightened if necessary.

### **8.8 Drainage holes**

All drainage holes should be kept clear.

### **8.9 Maintenance of protective surfaces**

Surfaces providing fall protection must also be maintained regularly. It is particularly important to maintain the correct level of loose surface material and add more if necessary.

---

## 8.10 Faults

---



Faults must be repaired as soon as they are detected. If serious defects that compromise safety cannot be repaired straight away, the public must be prevented from using the equipment with immediate effect.

---

## 8.11 Loose screws

---



Loose screws always cause quality problems and put safety at risk. Therefore, loose screws should always be tightened and checks carried out to ensure that there are no missing screws (e.g. look out for holes you can see through).

---

## 8.12 Preventing equipment use

Use of the equipment should be prevented in the event of incomplete installation, disassembly, maintenance, repairs and faults.

## 8.13 Claims/liability for faults

Steel posts and footings are guaranteed if regular maintenance is carried out and recorded in writing. Our general terms and conditions apply. Maintenance first takes place after 3 years. The steel posts must be excavated as far as the concrete foundations and checked for corrosion.

Zinc paint should be applied to any corroded areas and scratches.

Check ropes for abrasion. Retreat any that are very worn.

## 9 Specific maintenance advice

None

---

## 10 Maintenance timetable

### 10.1 Special advices

#### 10.1.1 Maintenance interval

We strongly advise you to carry out inspections and maintenance work within the specified periods as use of the equipment, the weather and malicious vandalism cause wear and tear that compromises the safety and function of the equipment.

#### 10.1.2 Maintenance intervals in the event of intensive use

Please note that more frequent inspections and/or maintenance are required if the play equipment is subject to intensive use.

#### 10.1.3 Faults that compromise safety

---



In the event of a fault that compromises safety, quick action must be taken. This may involve repairing it immediately or shutting down and dismantling the equipment.

---

#### 10.1.4 Faults that compromise function

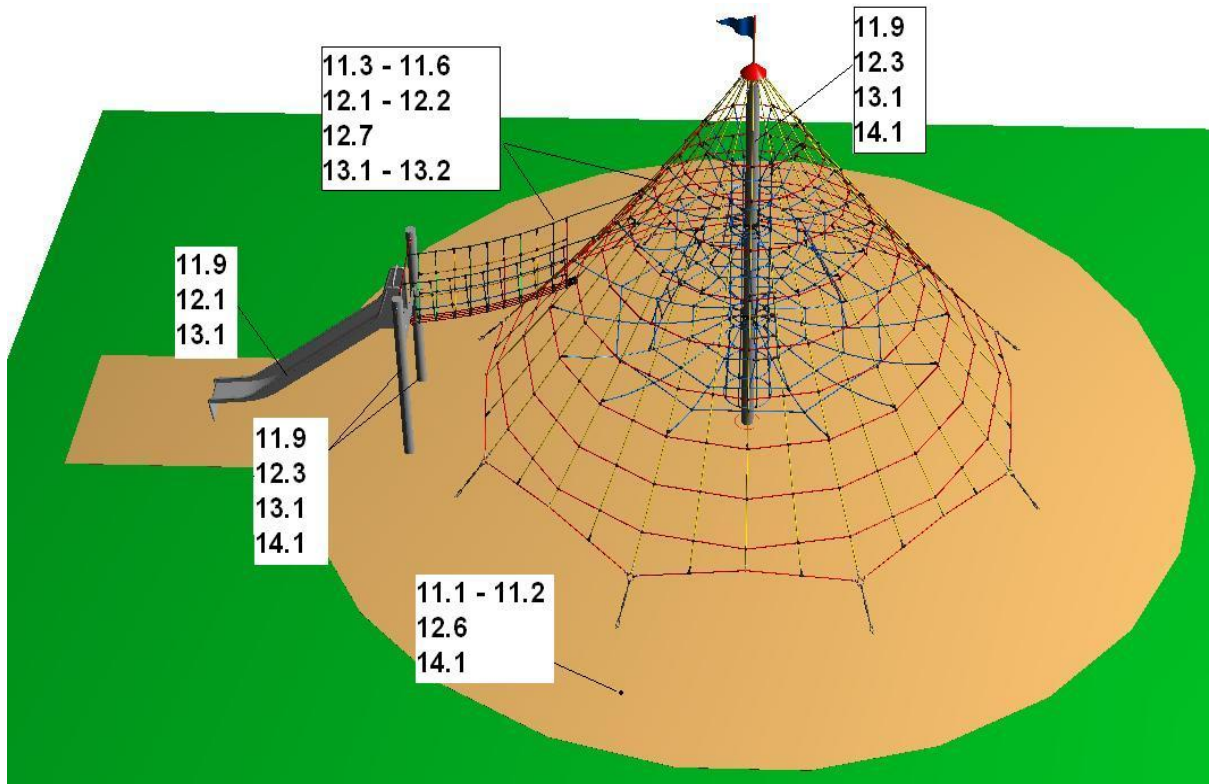
---



Faults that compromise function should also be repaired immediately. Such faults lower the value of the equipment to the user and encourage malicious vandalism, which may render the equipment less safe. Any damage should also be repaired immediately.

---

## 11 Regulare maintenance



---

## Monthly maintenance

- Check the spaces between the equipment and the ground (clearance and height of fall).
- Check the ground surface in the area with fall protection for hard objects and loose foundations.
- Check all connecting elements and fittings for wear and tear and tighten if necessary. Replace damaged or missing parts.
- Check that moving metal parts (joints, springs, etc.) move smoothly and are not worn. Replace if necessary. It is not necessary to lubricate joints as we only use maintenance-free metal roller bearings.
- Check all attachments such as chains, ropes, nets, etc. for damage and replace if necessary.
- Check rubber parts, sleeves, etc. for wear and tear or damage and replace if necessary.
- If necessary, remove excess padding material from the post footings due to danger of rotting.
- Check the surface of wooden parts for damage caused by the weather or external influences and mould. Repair or replace if necessary.
- Check the surface of plastic and metal parts, e.g. slides, for damage and replace if necessary.

## 12 Quarterly maintenance

- Detailed inspection of the operation and stability of the equipment paying particular attention to any wear and tear.
- Tighten all forms of attachment.
- Repaint and retreat surfaces.
- Maintenance of fall protection surfaces.
- Lubrication of joints.
- Check the height of the fall and top up with loose filler if necessary. If the posts are labelled, top up as far as the mark.
- Retighten all bolts





## Annual Maintenance

---

### 13 Annual maintenance

- Ascertaining that the equipment, foundations and surfaces are safe for operation.
- In particular, the equipment should be checked for decay and corrosion. It may be necessary to dig out or excavate certain components in order to do so. Zinc paint should be applied to corroded areas and scratches.
- Stability (check posts, bracing, foundations, etc.).
- Ascertaining whether there are any changes in equipment safety as a result of repairs that have been carried out or components that have been added or replaced.



The equipment must be inspected by someone **with the necessary expertise** in strict compliance with the instructions issued by Huck Seiltechnik GmbH.

**A copy of the inspection record should be given to the operator, who must confirm receipt.**

---







---

## 15 Hand over document

---



After the installation of the equipment pass the installation and maintenance documents to the operator. The operator has to receive the hand over documents. The complete filled and signed hand over document should be sent to the supplier.

---

Art.-No.: 4596S + 4596-1

Type of item: Rope Net Tower 2 + Rope Net Tower 2 with Bridge and Add-on Slide

Serial number: \_\_\_\_\_

**Customer or operator (Town, Town council, Kindergarten, etc.):**

\_\_\_\_\_  
\_\_\_\_\_

Competent person in charge:

\_\_\_\_\_  
\_\_\_\_\_

**Installation company (address):**

\_\_\_\_\_  
\_\_\_\_\_

Responsible assistant (assembler):

\_\_\_\_\_  
\_\_\_\_\_

Received the complete assembly instructions, maintenance instructions and maintenance printout .

\_\_\_\_\_  
(Signature of operator)  
(Stamp)

\_\_\_\_\_  
(Signature of installation company)

Date: \_\_\_\_\_

---