
A Assembly Instructions

“Fortuna” Bird’s Nest Tower, Art.# 4594-30



Operator: _____

Location: _____

Revision history

Revision 0 – 2007-10-23
First version issued

Assembly Instructions FH

Revision 4 – 2015-04-09 FH
Schellenbefestigung

All rights reserved.

© Copyright 2006 Huck Seiltechnik GmbH

Table of Contents

A	Instructions for the Assembly of “Fortuna” Bird’s nest tower, Article No. 4594-30 (for cementing) Design: Steel Post	1
1	Introduction: Installation	4
2	Datasheet “Fortuna” bird’s nest tree, Art.-No. 4594-30	5
3	Scope of Delivery, inventory with serial numbers.....	6
4	Assembly instructions	9
5	Examination after installation.....	14
B	Maintenance Instructions for the “Fortuna” Bird’s nest tower Article No. 4594-30 (for cementing)	15
6	Introduction: Maintenance	17
7	General notes on maintenance work	18
8	Maintenance schedule.....	20
9	Regular maintenance (Image).....	21
10	Maintenance work which is to be carried out every month:	22
11	Maintenance work to be carried out every quarter	22
12	Maintenance work to be carried out every 6 months.....	22
13	Maintenance work to be carried out annually	23
14	Maintenance log.....	25
15	Hand over document	27

Index of Tables

Table 3-1: Scope of delivery, inventory with serial numbers, in words	6
Table 3-2: Scope of delivery, inventory with serial numbers, with symbols	7

1 Introduction: Installation

1.1 General

The installation, inspection, maintenance and operation are to be carried out in accordance with the guidelines of EN1176-7.

All components and mounting elements are to be checked, according to the inventory supplied, before the actual construction begins (see Table 3-1 for the complete list).

Any spare parts that may be required can be obtained directly from your supplier.

Please do not hesitate to call us on **01308 425100** if you have any problems during installation or with any other questions.



The complete assembly and maintenance instructions and the maintenance log are to be forwarded unconditionally, after installation, to the operator as written proof (see last page).



All pins and nuts are either hot-dip galvanised or made of high grade steel.

High grade steel has the characteristic of uncontrolled galling during tightening of the nuts. Therefore it is essential to spray the pins and nuts with Teflon or any other similar lubricants.

We hereby confirm that this playing equipment was checked and certified according to the new playing equipment standard EN 1176.

2 Datasheet “Fortuna” bird’s nest tree, Art.-No. 4594-30

1. Space requirement without safety zone: \varnothing 2,70 m
 Space requirement incl. safety zone: \varnothing 5,70 m
 Height of fall: 1.00 m

[The images \(individual drawings\) are not to scale!!](#)

2. Required safety surface:

Nature of soil	Description mm	Minimum layer thickness mm	Maximum height of fall mm
Topsoil grass			\leq 1000*
Chipped bark	20 – 80 grain size	400	\leq 3000
Wood chippings	5 – 30 grain size	400	\leq 3000
Sand	0.2 – 2 grain size	400	\leq 3000
Gravel	2 – 8 grain size	400	\leq 3000
Other ground materials	As recommended by manufacturer		

3. Name and size of the largest component
 1 steel posts; length 3.00 m, \varnothing 102 mm
4. Name and weight of the heaviest component:
 1 steel posts; approx. 25 kg
5. Intended age group: 2 years and above
6. **Please note: equipment for cementing**
 Concrete: C25/30
 The amount of cement required: Approx. 0.80 m³
Depth of foundations/excavations:
 1 x 0.60 m long x 0.60 m wide, total depth: 0.90 m incl. 10 cm seeping layer
 1 x 0.60 m long x 0.60 m wide x 0.50 m high, concrete upper edge rounded.
 2 x 0.68 m long x 0.40 m wide, total depth: 0.80 m incl. 10 cm seeping layer
 2 x 0.68 m long x 0.40 m wide x 0.40 m high, concrete upper edge rounded.
 2 x 0.885 m long x 0.40 m wide, total depth: 0.80 m incl. 10 cm seeping layer
 2 x 0.885 m long x 0.40 m wide x 0.40 m high, concrete upper edge rounded.



Achtung

Concrete surfaces rounded
 Important! Foundation sizes only apply to soil classes 3 – 4! In case of soft, sandy soils, foundations need to be correspondingly bigger.

7. The time required for the assembly of the basic equipment with ready-to-use cement:
 Approx. 1 hours
 Extra hands required: 2 people.
8. Any spare parts which may be required can be obtained directly from your supplier
9. **We hereby confirm that this playing equipment was checked and certified according to the new playing equipment standard EN 1176.**

3 Scope of Delivery, inventory with serial numbers









3.1 In words (please notice: piece numbers refer to 1 equipment)




Table 3-1: Scope of delivery, inventory with serial numbers, in words

Item	Unit	Element / Description	Size	O.K.	Missing
1	(1)	Steel post	Ø 102 mm, L. 3.00 m		
2	(1)	Play part (bird's nest, 2 x ladders and 2 x climbing nets)			
2a	2	Pipe clips with carriage bolts and stop nuts			
3	(1)	Red cap	for Ø 102 mm		
4	(4)	Hexagonal screws (for securing the suspension rope)	M10 x 20 mm galvanised		
5	(8)	Flat washer (for securing the suspension rope)	for M10		
6	(8)	Screw-in earth anchor			
7	(3)	Self-threading screws	6.3 x 25 mm		
8	(1 jar)	Red paint			
9	(1)	Brush			
10	(1)	Loctite			
	(1)	Footpath flagstone	on construction site (provided by customer)		
	(1)	Drainage tube ~ Ø 150-200 mm, L. 550 mm	on construction site (provided by customer)		

3.2 With symbols

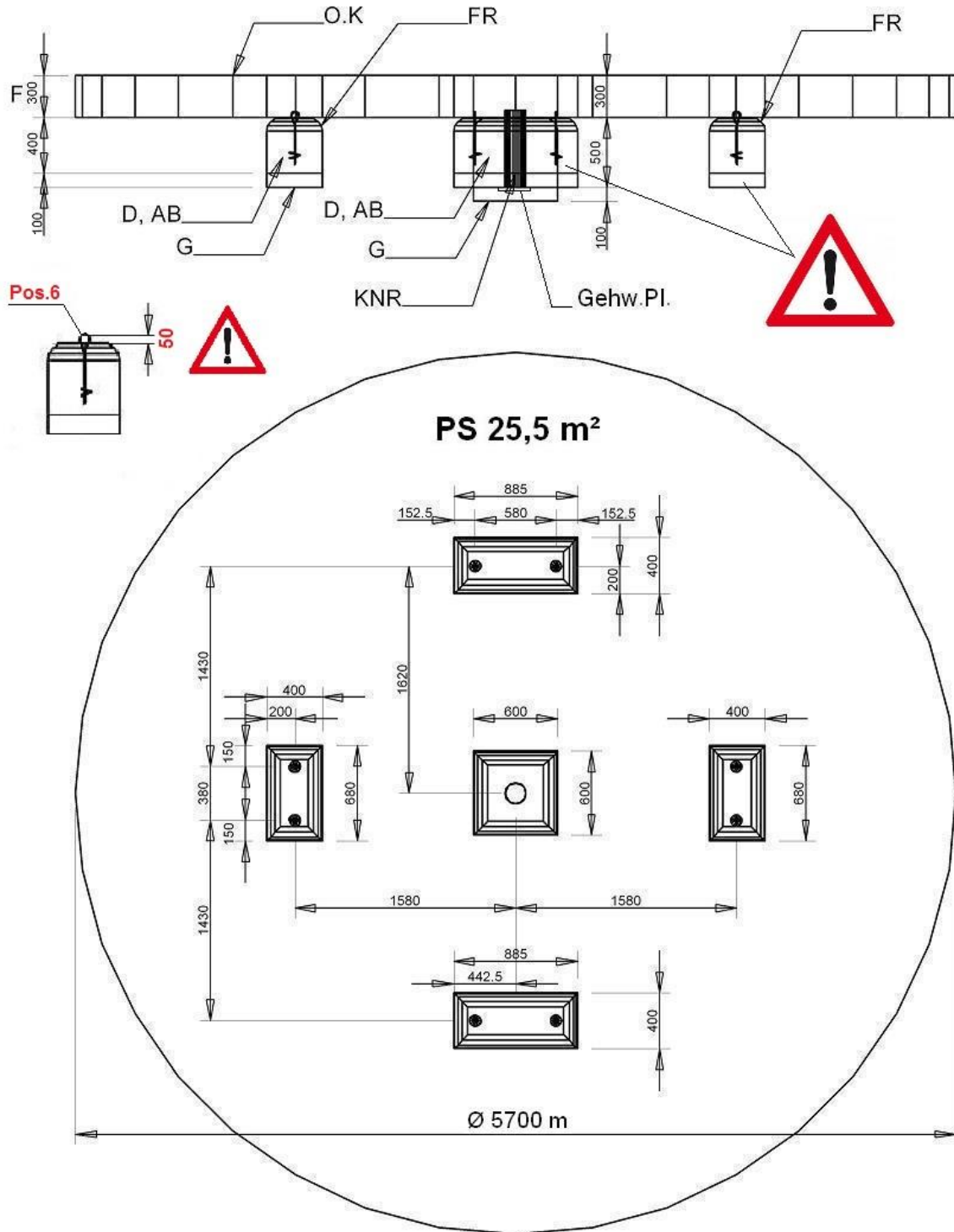
Table 3-2: Scope of delivery, inventory with serial numbers, with symbols

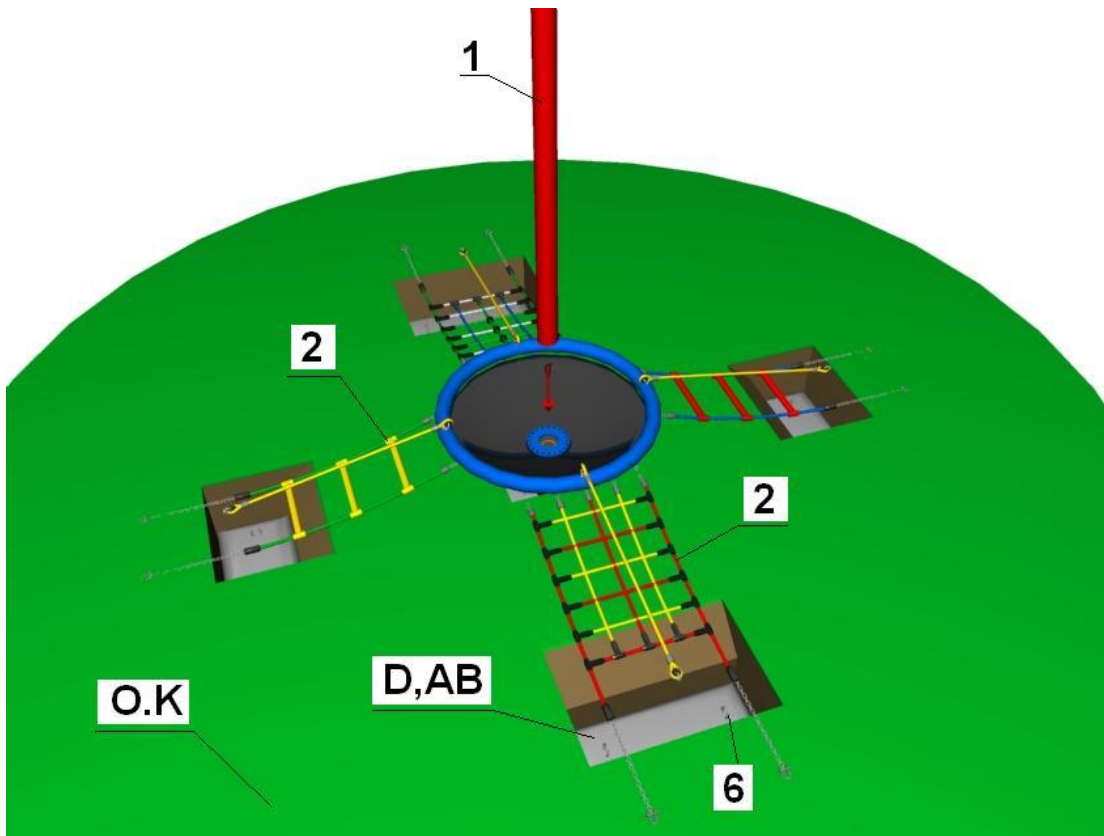
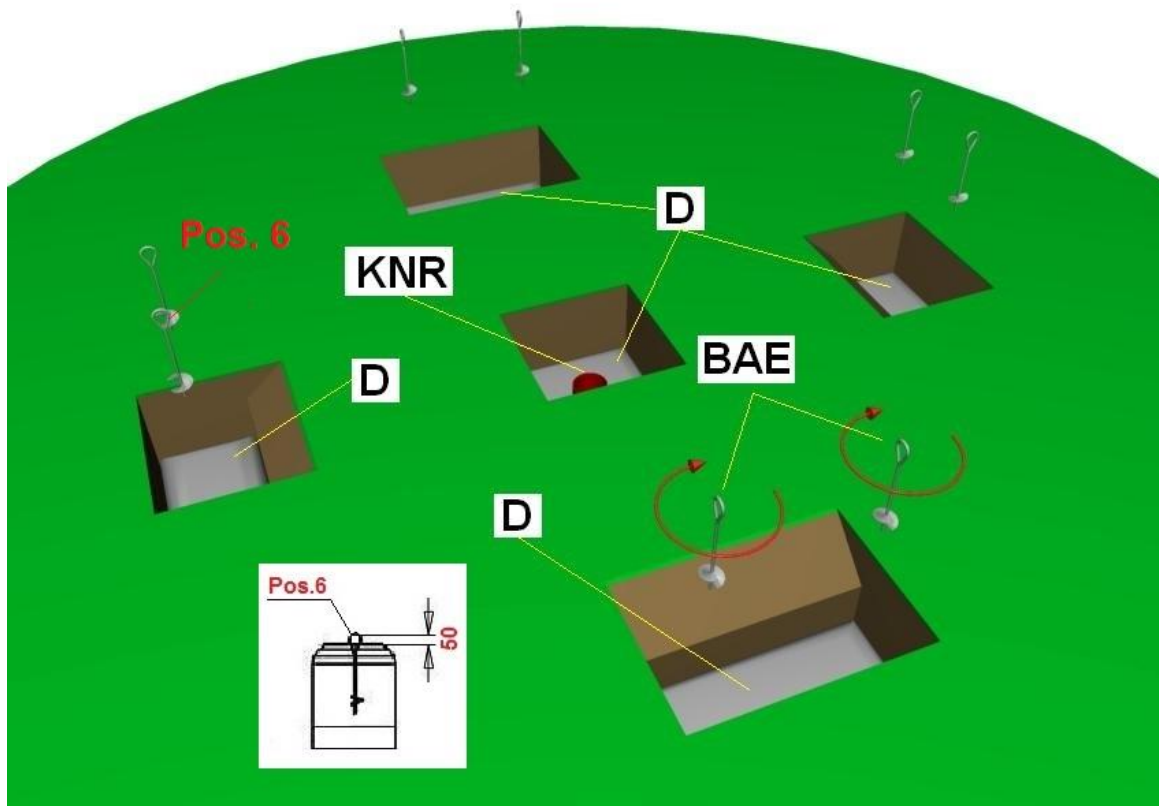
Item	Unit	Symbol
1	(1)	 <p>Ø 102 mm, 3.00 m long</p>
2	(1)	
2a	2	 <p>Pipe clips with carriage bolts and stop nuts</p>
3	(1)	 <p>Ø 102 mm</p>
4	(4)	 <p>M10 x 20 mm galvanised (for securing the suspension rope)</p>
5	(8)	 <p>M10 (for securing the suspension rope)</p>
6	(8)	
7	(3)	 <p>6.3 x 25 mm</p>

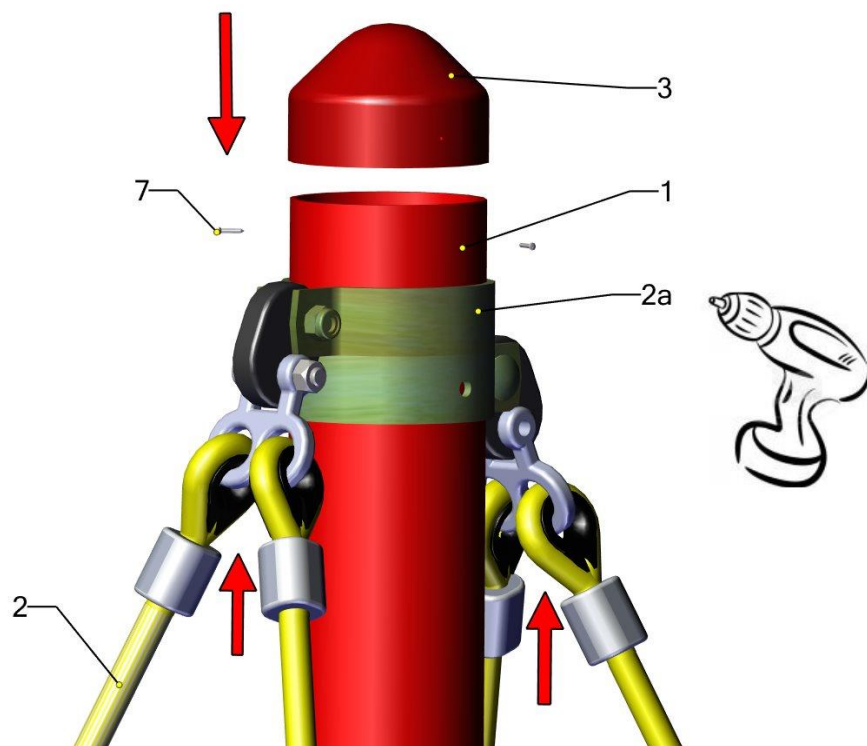
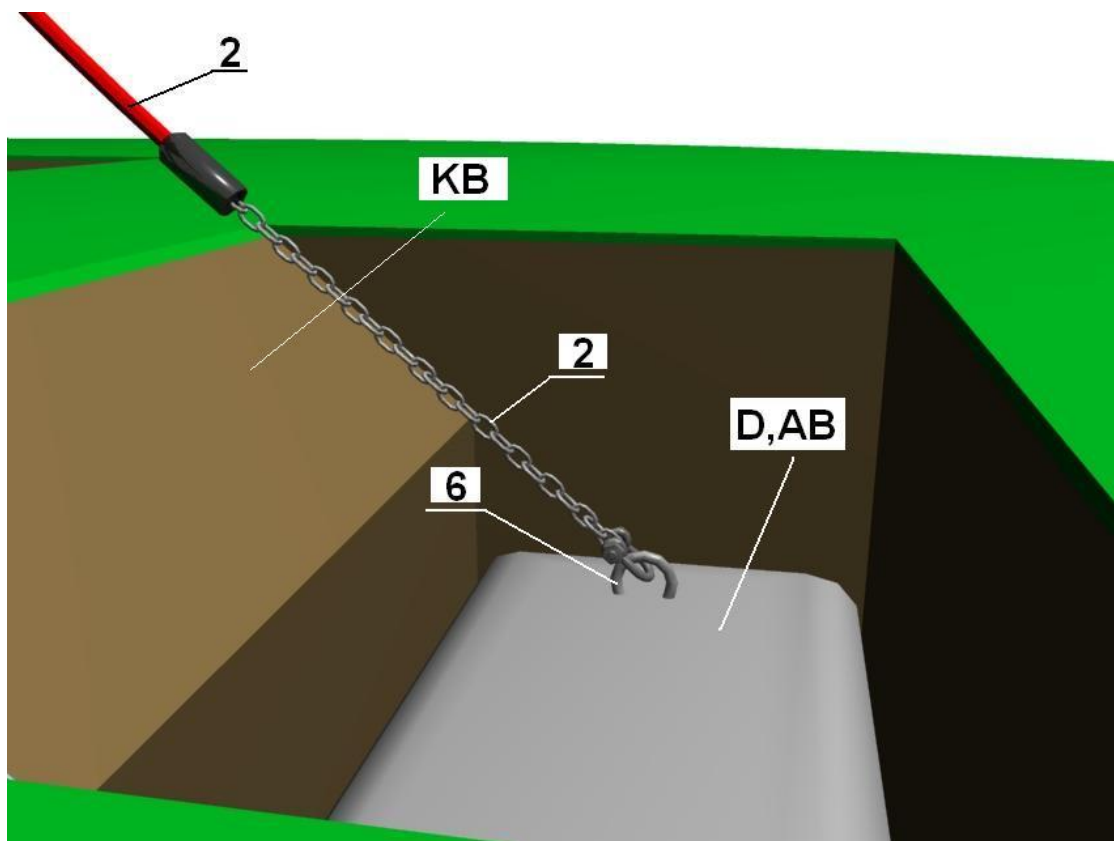
8	(1 jar)	 <p>red colour</p>
9	(1)	 <p>Brush</p>
10	(1)	 <p>Loctite</p>

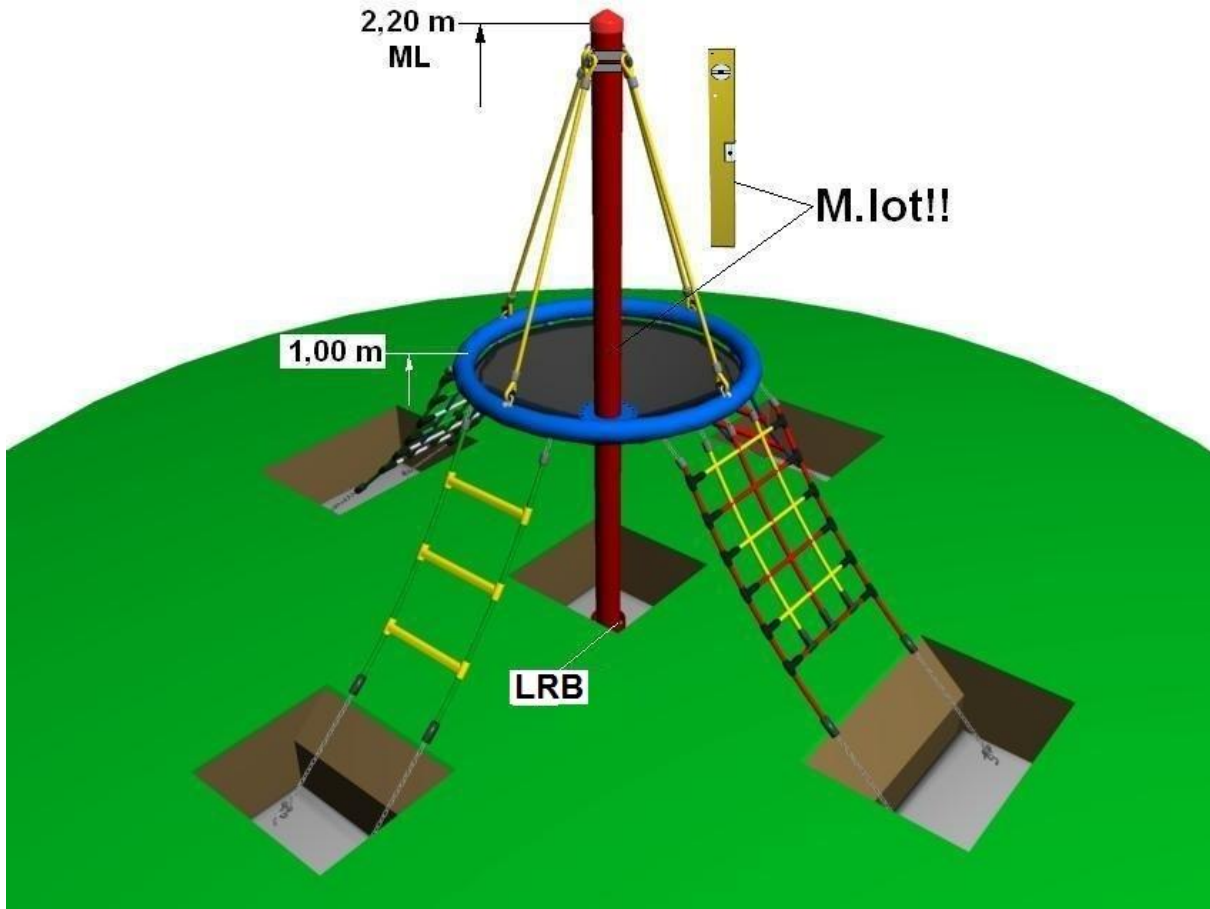
4 Assembly instructions


The images (individual drawings) are not to scale!!









	Fortuna bird's nest tower item no. 4594-30
AB	Setting time for C25/30 concrete min. 7-8 days
BAE	Twist the earth anchor into the not-yet hardened concrete
D	C25/30 concrete (for foundation)
DR	Top view
FR	Foundation radius min. 10 cm
Gehw.PI.	Ground plate e.g. footpath flagstone to be laid under the posts at the construction site i.e. by the client
G	Drainage layer 10 cm
KNR	Drainage tube (e.g. concrete or PVC duct) Ø ~150-200 mm, L. 0.55 m at the construction site (to be provided by the client)
KB	Break the edge of the excavation because of sloping chain
LRB	Fill space between mast and PCV pipe with concrete!
M.lot!!	Posts must be installed vertically and horizontally!
O.K	Surface of playing area
PS	Space required incl. safety zone (25,5 m ²)
ML	Pole length above play height
	Concrete surfaces rounded. Important! Foundation sizes only apply to soil classes 3–4! In case of soft, sandy soils, foundations need to be correspondingly bigger.

See drawings

5 Examination after installation



If the equipment is not installed in a secure manner you must ensure that access is closed to the public.

5.1 Marking the fill level

- Marking the equipment in order to indicate the fill level of the drop protection material (and/or of the loose wadding).

5.2 The equipment has not been installed safely if:

- The installation of the equipment is still incomplete.
- The impact-absorbing surface has not yet been installed.
- The guarantee of safety in operation cannot be given by the appropriate maintenance works.

5.3 Removal of all assembly aids

- It should be checked whether all assembly equipment have been removed from the playing area. The playing equipment must not be released in advance.

5.4 Details concerning the acceptance of the equipment before the first use

- No special acceptance conditions apply.

5.5 Tighten pins

- A week after the first use of the equipment all the pins should be tightened again. After that, it is done when maintenance is carried out.

**B Maintenance Instructions for the
“Fortuna” Bird’s nest tower
Article No. 4594-30
(for cementing)**



History or revisions

Revision 0 – 2007-10-23

First version issued

Maintenance instructions FH

Revision 3 – 2011-10-06 FH

jetzt 2 U-Scheiben oben

All rights reserved

© Copyright 2004 Huck Seiltechnik GmbH

6 Introduction: Maintenance

6.1 General

The installation, inspection, maintenance and operation are to be carried out in accordance with the guidelines of EN1176-7.



General Notice: Well maintained playing equipment can never pose a danger for those who play on it. It is a requirement, however, that regular checks follow and repairs are carried out as and when necessary.

Any spare parts which may be required can be obtained directly from your supplier.



Assembly, maintenance and repairs are only to be carried out by **qualified personnel**. A copy of the maintenance log is to be handed over to the operator as a receipt.

These maintenance instructions are based on “EN 1176-1:2008” standard.

7 General notes on maintenance work

7.1 Intervals between maintenance

The interval between maintenance works depends on the average use. We emphasise that the more the playing equipment is used, the more frequent should be the checks and/or maintenance.

7.2 Frequency of inspections

The frequency of inspections depends on the actual use. The influencing factors are: Vandalism, location (e.g. proximity to coast), air pollution, age of the equipment etc.

7.3 Maintenance products and maintenance procedures

All pins and nuts are either hot-dip galvanised or made of high grade steel. High grade steel has the characteristic of uncontrolled galling during tightening of the nuts. Therefore it is essential to spray the pins and nuts with Teflon or any other similar lubricant.

7.4 Replacement parts

All spare parts must conform to the manufacturer's specifications.

7.5 Identification of replacement parts

All replacement parts are listed in the inventory. The inventory can be found in Chapter 3.

7.6 Special treatment for the disposal of individual components

No special treatment for the disposal of individual components is necessary.

7.7 Special measures in the break-in period

Within 2 weeks after assembly, all screw connections are to be examined for firmness and tightened if necessary.

7.8 Maintenance of the drop protection floors

The drop protection floors must be regularly maintained. Especially the level of loose wadding must be maintained and refilled if necessary.

7.9 Established faults



Attention

Any detected fault must be rectified immediately. In case of serious defects in the equipment which could prove hazardous, it is to be closed to the public immediately.

7.10 Loose screws



Attention

Loose screws are always a risk to quality and safety. Therefore loose screws should always be tightened and the absence of screws be monitored (e.g. keep an eye out for visible holes).

7.11 Shutting down the playing equipment

The playing equipment is to be shut down in the case of: Incomplete installation, dismantling, maintenance and repair work as well as when there are faults with the equipment.

7.12 Guarantee

We give a guarantee for the steel posts and post shoes only if regular maintenance is carried out and this is recorded in writing. The first maintenance check takes place after 3 years; the steel posts up to the concrete foundations must be opened up and checked for corrosion. Places of corrosion and scratches are to be painted with zinc-based paint.

8 Maintenance schedule

8.1 Special notes

8.1.1 Intervals between maintenance

It is strongly recommended that the checks and maintenance work is carried out in the periods indicated before using the equipment. Damage caused by the weather or extensive wear and tear can all occur, which can in turn present a safety risk and loss of function.

8.1.2 Interval between maintenance with heavy use

We emphasize that with heavy use of the playing equipment, increased checks and/or maintenance are to be made.

8.1.3 Faults which impair safety



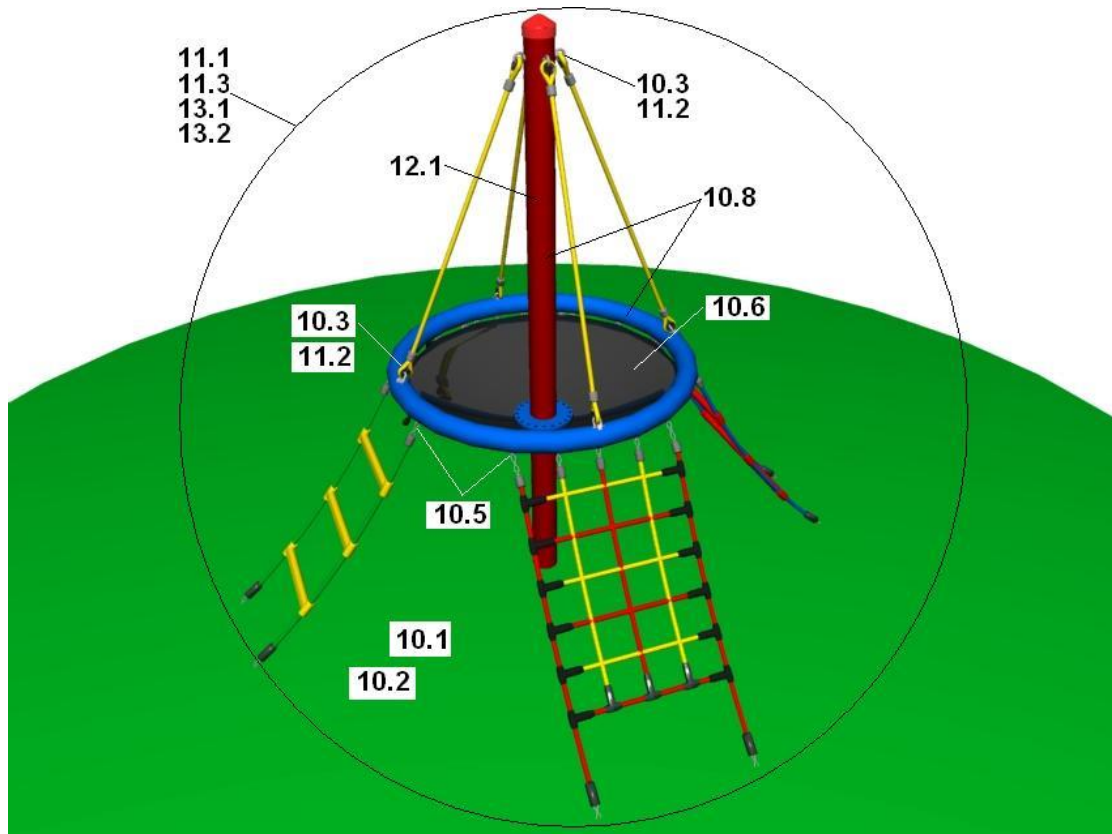
Faults which impair safety must be rectified immediately. It can be done by immediate repair or by dismantling or shutting down of the equipment.

8.1.4 Faults which impair function



In addition, faults which impair function should be repaired immediately. Such faults reduce the playing value of the equipment and stimulate extensive damage which could possibly result in a safety risk. In addition the damage should be repaired immediately.

9 Regular maintenance (Image)



10 Maintenance work which is to be carried out every month:

- (10.1) Check gaps between equipment and floors (distance and/or maximum head).
- (10.2) Examine the underground area in the drop and save area for hard articles and foundations which have worked loose.
- (10.3) Test all connecting elements and fittings for wear and tear and for poor fittings. Replace all damaged or missing parts.
- (10.4) Check mobile metal parts (joints, springs etc) for ease of movement and wear and tear.
- (10.5) Check all construction elements like chains, cables, nets etc, for damages and replace if necessary.
- (10.6) Check all rubber parts, seals etc for wear and tear or damage and replace if necessary.
- (10.7) Only for play equipment with wooden parts: Check surface areas made from wood for damage from the weather, foreign influences or for cases of mould and repair or replace as necessary.
- (10.8) Check surface areas made from plastic and metal parts for damage and replace if necessary.

11 Maintenance work to be carried out every quarter

- (11.1) Detailed inspection of how the equipment operates and the stability of the equipment in particular in relation to any wear and tear.
- (11.2) Tighten all attachments.
- (11.3) Touch up and follow-up treatment of surfaces.
- (11.4) Maintenance of drop protection linings.
- (11.5) Examination of the head. If necessary fill up the loose wadding accordingly. Refill the labelled posts up to the marking.
- (11.6) Tighten pins

12 Maintenance work to be carried out every 6 months

- (12.1) The stability of supporting posts, supports, foundations etc is to be checked. The safety level of the entire system is to be checked after repairs have been carried out or additional system components have been installed or replaced.



Attention

Major annual check

•

13 Maintenance work to be carried out annually

- (13.1) The entire equipment as well as the foundations and the surfaces are to be examined for their general condition.
- (13.2) The equipment is to be examined in particular for the presence of rot and corrosion. In addition, certain parts are to be unearthed and/or opened if necessary. Places of corrosion and scratches are to be painted with zinc-based paint.



Attention

The inspection of the equipment must only be carried out by qualified personnel as per the instructions given by Huck Seiltechnik GmbH and any fault established must be logged in writing.

A copy of the examination and maintenance log is to be given to the operator as a receipt.

14 Maintenance log

Equipment name: “Fortuna” Bird’s nest tree / Article No. 4594-30

Location: _____

Customer or operator: _____

(Town, local authority, nursery school)

Day of the inspection	Evaluator	Status	Cannot be played on	Closed down	Faults	Faults repaired by	Date

**Every year, after the major inspection, please make a copy and fax it to the manufacturer 01308 425100.
The confirmation form is contained within the file on the playing equipment.**

15 Hand over document



Attention

After the erection of the equipment is completed, the installation and maintenance documents must be given to the operator. The hand-over of the documents is to be acknowledged. The entire hand-over document duly filled in and signed is then sent back to the supplier.

Article No. 4594-30

Type of item: "Fortuna" Bird's nest tree

Serial number: _____

Customers or operators (town, local authority, nursery school, etc.):

Person-in-charge:

Assembly Company (address):

Designated employee (assembler):

Complete assembly instructions, maintenance instructions and maintenance log received in full.

(Signature of operator)
(Stamp)

(Signature of Installation Company)

Date: _____