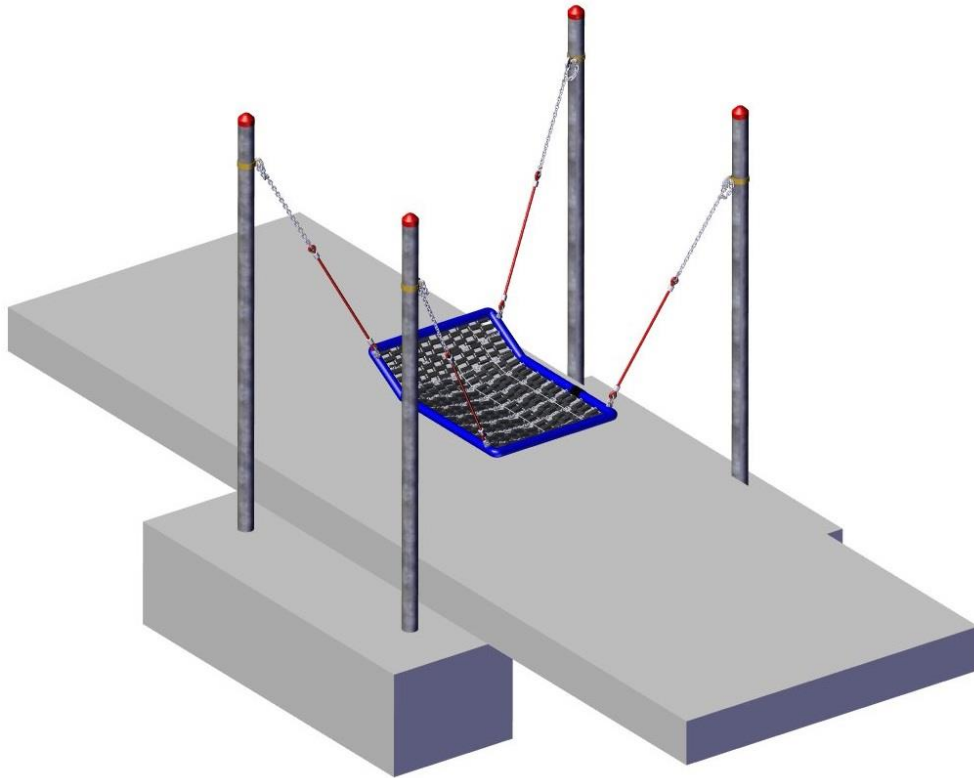


A Assembly instructions **“Swing Bed” Easy - Swing** **Art.-Nr. 4591-50-9**



Operator: _____

Location: _____

Revision history

Revision 0 – 2007- 08-21

First released version

Assembly instruction SP

Revision 5 – 2020-05-18 PM

Gerätaufstellmaße komplett geändert nach neuer Norm EN 1176 2017

All rights reserved

© Copyright 2020 Huck Seiltechnik GmbH

Table of content

A	Assembly instructions “Swing Bed” Easy - Swing Art.-Nr. 4591-50-9	1
1	Introduction installation	4
2	Data sheet “Swing Bed“ Easy- Swing Art.-Nr. 4591-50-9	6
3	Scope of supply, parts list with part numbers	8
4	Abbreviations	11
5	Assembly instruction.....	12
6	Examination after installation	20
B	Maintenance instructions “Swing Bed” Easy - Swing part no. 4591-50- 9.....	21
7	Introduction maintenance	23
8	General maintenance information	24
9	Maintenance timetable.....	26
10	Regular maintenance.....	27
11	Monthly maintenance	28
12	Quarterly maintenance	28
13	Half-yearly maintenance.....	28
14	Annual maintenance.....	29
15	Maintenance printout.....	31
16	Hand-over document	33

List of Tables

Table 3-1: Scope of supply, parts list with part numbers	8
Table 3-2: Scope of supply, parts list with part numbers	9

1 Introduction installation

1.1 General information

This equipment should be installed, inspected, maintained and operated in accordance with EN1176-7 guidelines.

Before installation work commences, please check that you have all of the equipment and fixation components in the parts list provided (see Tables 3-1 and 3-2).

Please consider that the installation has to be carried out only on even terrain (max.slope up to 3%).

Any spare parts that may be required can be obtained directly from your supplier or from Fa. Huck Seiltechnik GmbH

Adress: Huck Seiltechnik GmbH
Dillerberg 3
D-35614 Aslar/Berghausen
Tel. +49 6443 83 11-99
Fax +49 6443 83 11-79

Please do not hesitate to call your supplier if you have any problems during installation or with any other questions. You can reach us at the following **Tel. +49 6443 83 11-99.**



Attention

Following installation, complete assembly instructions, maintenance instructions and a maintenance record must be sent to the operator who must confirm receipt in writing. See the last page of this document.



Attention

All nuts and bolts are hot-dip galvanised or stainless steel. One of the characteristics of stainless steel is that uncontrolled cold welding may occur when the nuts are tightened. To prevent this, it is necessary to spray the nuts and bolts with Teflon spray or another similar lubricant.

Drawings / views

All optical illustrations simply demonstrate the proportions/dimensions to be followed, but are not binding, technical equipment images.

Technical modifications supporting the advancement of our articles are subject to change.

Measurement tolerance / dimensions

Due to the quality and characteristics of equipment parts, minor dimensional tolerances over drawings data are possible.

This regards all visible dimensions, except for foundation dimensions respectively dimensions below OK ground surface/play surface.

2 Data sheet “Swing Bed“ Easy- Swing Art.-Nr. 4591-50-9

1. Space requirement: 2650 x 2600 mm
safety zone:: 7050 x 2250 mm
Height of equipment: 2450 mm
Height of Fall: 1250 mm
Fall protection area: 15,86 m²

2. Required safety surface:

Surface material	Description / mm	Minimum thickness of layer / mm	Maximum height of fall / mm
Lawn / topsoil	-	-	≤ 1000*
Bark mulch	20 – 80 Particle size	300	≤ 2000
		400	≤ 3000
Wood chips	5 – 30 Particle size	300	≤ 2000
		400	≤ 3000
Sand	0,25 – 2 Grain size	300	≤ 2000
		400	≤ 3000
Gravel	0,25 – 8 Grain size	300	≤ 2000
		400	≤ 3000
Other floor materials	As per HIC audited		Critical drop height as tested

Sand and gravel must be well rounded to remove most of the silty or clayey particles. Washed sand or gravel is considered to be alluvial and free from silty or clayey particles. With gravel this is generally described as "pearl gravel". Degree of non-uniformity D60/D10 < 3.0. The grain size can be determined by using a sieve method.

***In Germany, lawn is a sufficient ground surface in the safety zone for heights of up to 1500 mm.**

3. Name and size of the largest part of the device:
Steel post Pos. 01 / Ø102 mm – 3400 mm length
4. Name and weight of the heaviest part of the equipment:
Steel post Pos. 01 / ca. 24,5 kg
5. Intended age group: 2 years and up
6. **Attention! Device for embedding + for setting in concrete:**
Foundation
Concrete: C25/30
Concrete requirements: 1,41 m³
Foundation size: 2600 x 900 x 600 mm
Quantity: 2x
Concrete upper edge: 400 mm below upper edge (O.K.) of play level

Excavation size:

1x 2600 x 900 x 1100 mm (inclusive 100 mm drainage layer)

-
7. **Required accessories:** Small excavator, ladder of about 2m length barometric level, water balance, various drills ($\varnothing 11$, $\varnothing 13$, $\varnothing 17$), various wrenches resp. Allen wrenches, compactor (Frosch), screw driver.



Upper edges of concrete are rounded! Foundation sizes apply for regular soil classification 4-5 (grown surface).

Soil classification 4: Light up to medium plasticity, interlaced, with little sediment (proportion < 30 % larger than 63 mm grain size in diameter)

Soil classification 5: Grounds of soil classification 3 and 4 with more sediment (proportion > 30 % larger than 63 mm grain size in diameter)

For safety reasons, foundations of sandy, soft grounds should be layered with a larger surface of at least 50%.

-
8. Assembly time approx. 45 minutes after the steel posts have been set in concrete
Needed persons: 3
9. Possibly required spare parts can be obtained directly from your supplier or from the company Huck Seiltechnik GmbH

Adress: Huck Seiltechnik GmbH
Dillerberg 3
D-35614 Asslar/Berghausen
Tel. +49(0)6443/8311-99
Fax.+49(0)6443/8311-79

10. **We hereby confirm that this play equipment has been tested and certified according to the new play equipment standard EN 1176.**

3 Scope of supply, parts list with part numbers

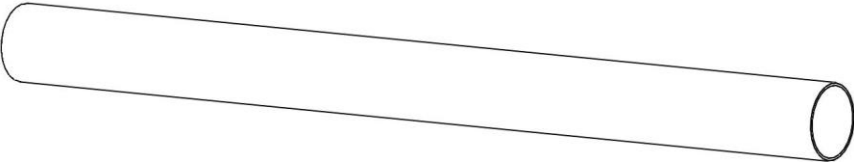
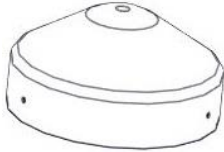
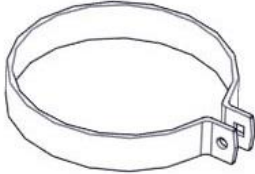
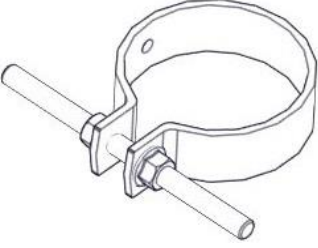

3.1 in letters



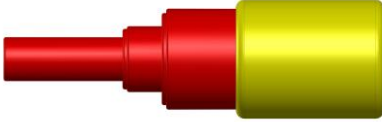
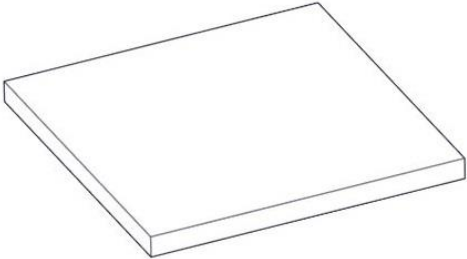
Table 3-1: Scope of supply, parts list with part numbers


Pos.	Quantity	Element / description	Size	O.K.	Missing
01	4	Steel posts	Ø102 mm lg. 3400 mm		
02	4	cover caps	Ø102 mm		
03	4	pipe clamps	Ø102 mm		
04	4	pipe clamps with threaded bolt + nuts	Ø102 mm M10 x 150 mm		
05	1	Play equipment with 4 suspension ropes (chains + safety chains. (pre-assembled)	900 x 1350 mm		
06	4	Screws	M10 x 35 mm		
07	12	self-tapping screw	5,5 x 25 mm		
08	1	Loctite	3 ml		
09	4	Pavement slab (on-site customer)	Ca. 300 x 300 mm		

3.2 in symbols

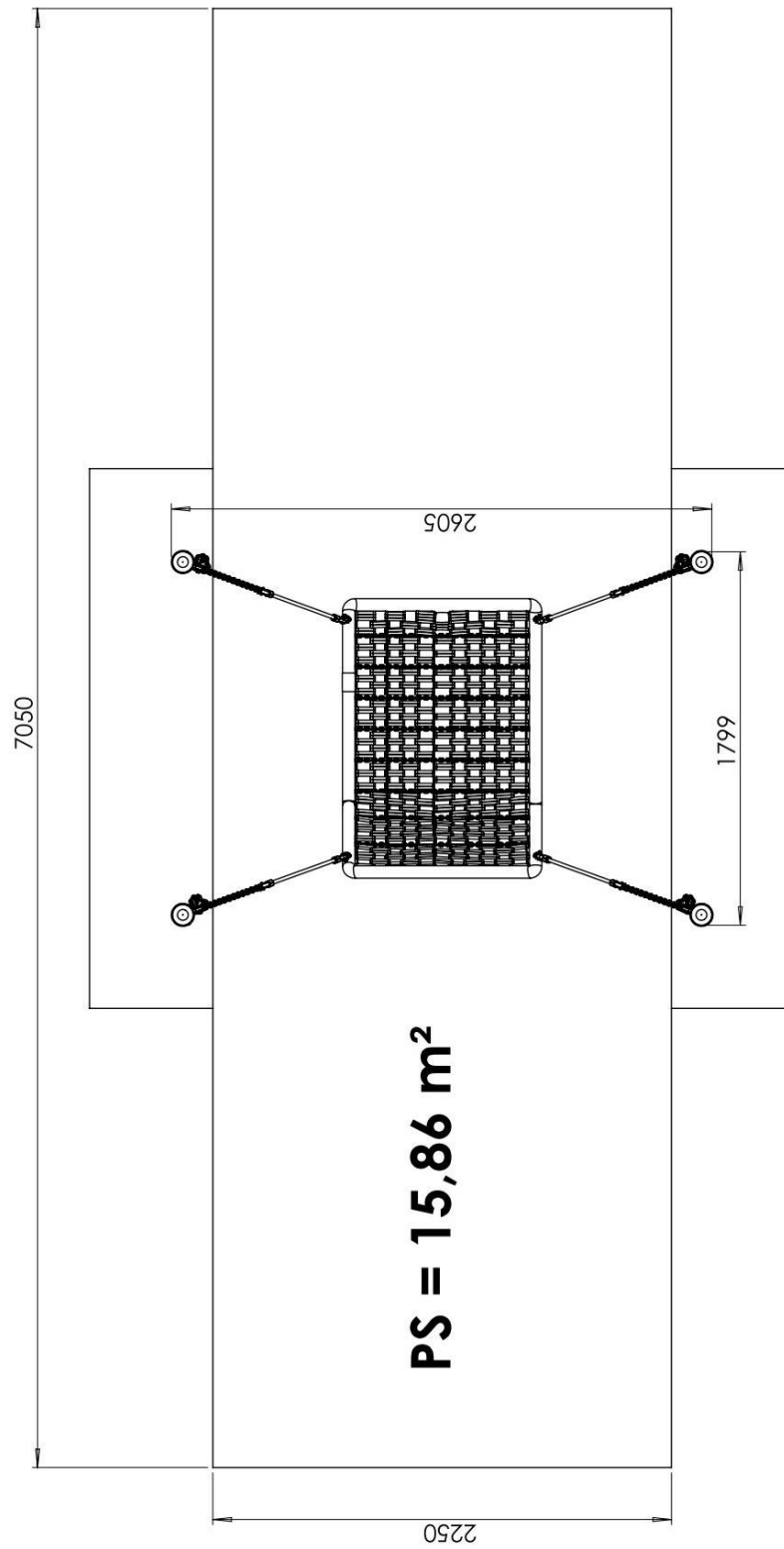
Table 3-2: Scope of supply, parts list with part numbers

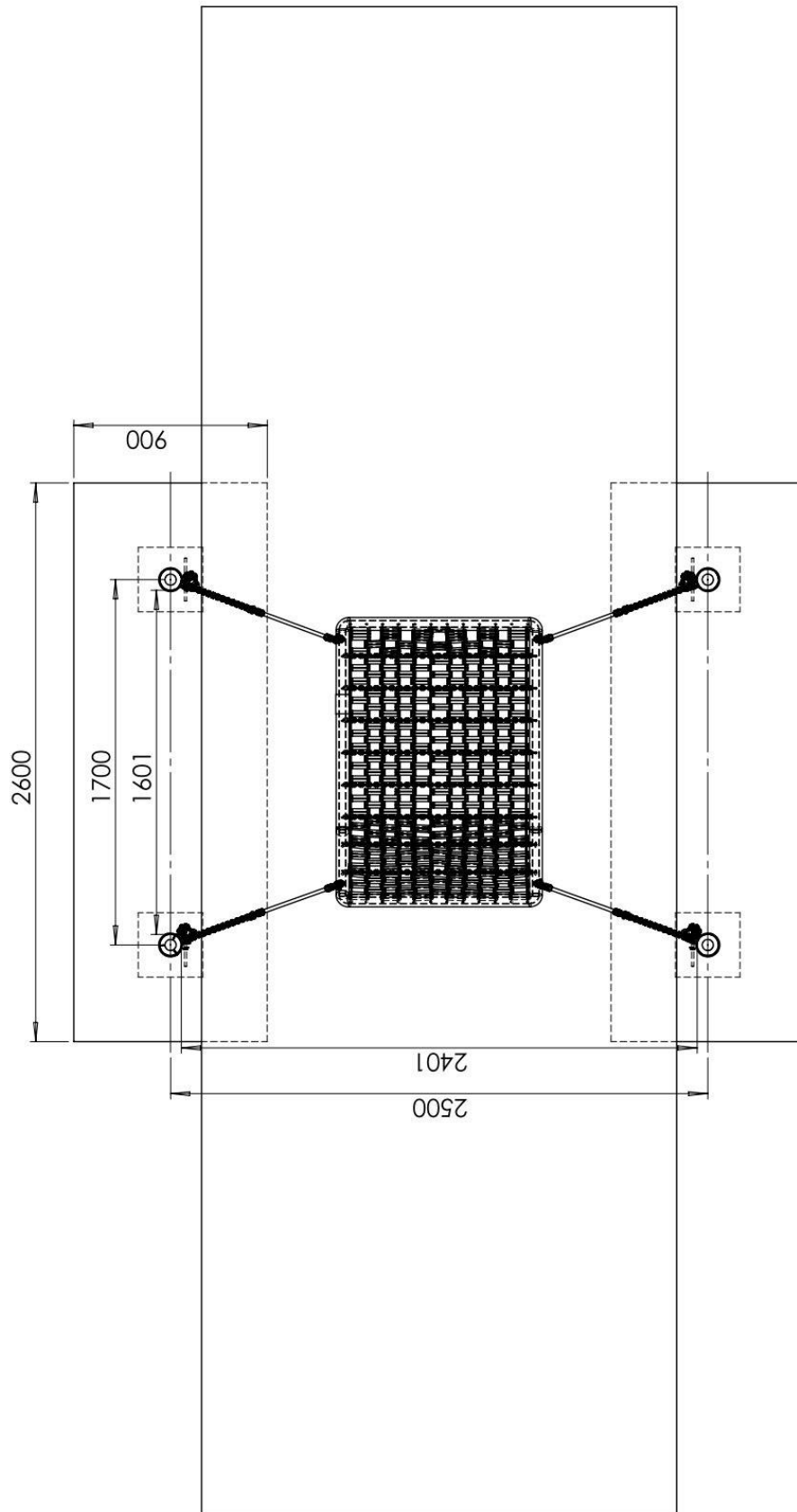
Pos.	Quantity	Symbol
01	4	 Ø102 mm / lg. 3400 mm
02	4	 Ø102 mm
03	4	 Ø102 mm
04	4	 Ø102 mm / M10 x 150 mm
05	1	 900 x 1350 mm

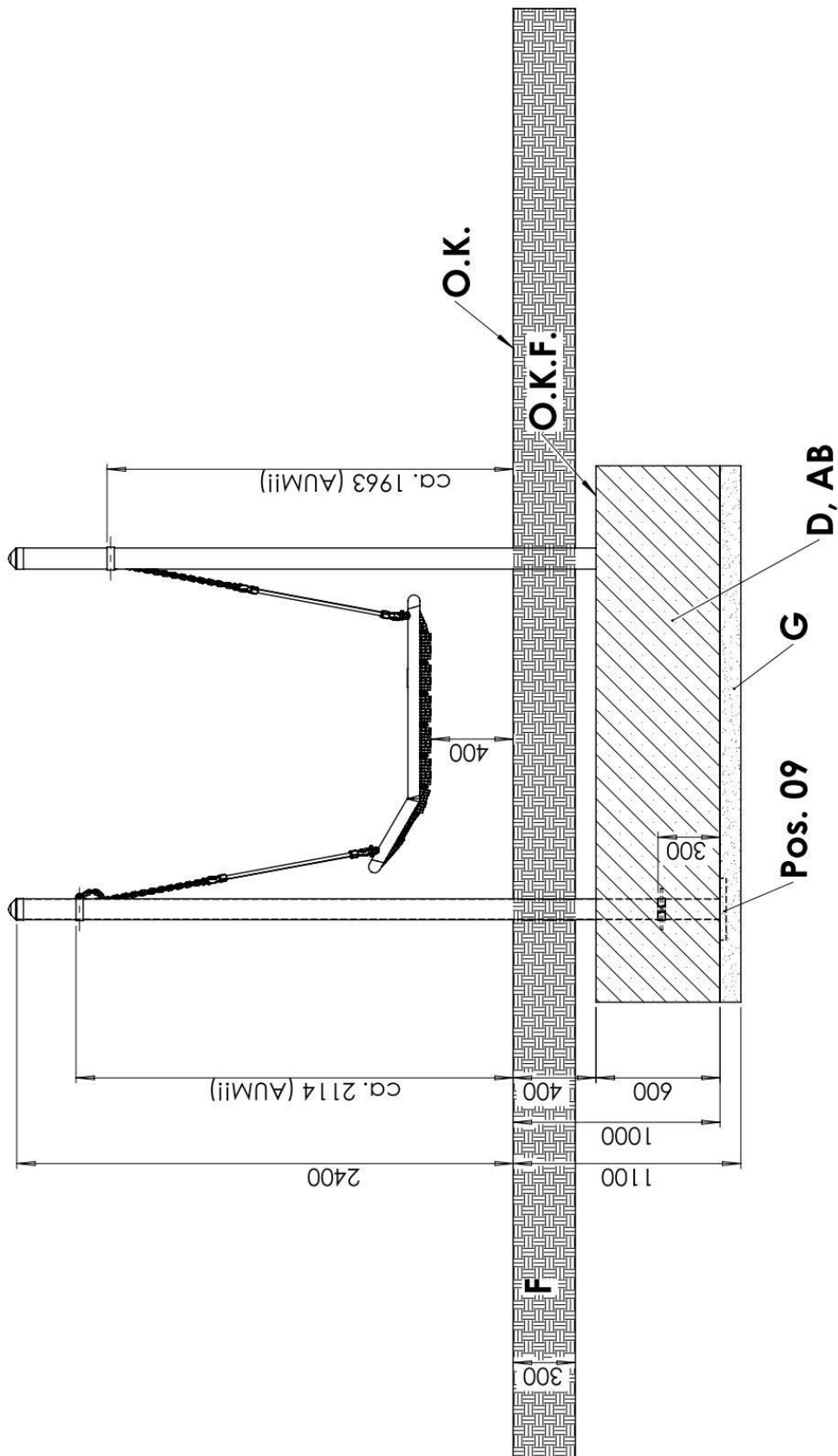
06	4	 <p>M10 x 35 mm</p>
07	12	 <p>5,5 x 25 mm</p>
08	1	 <p>3 ml</p>
09	4	 <p>Ca. 300 x 300 mm (on-site customer)</p>

4 Abbreviations	
AB	The legally prescribed setting times must be observed!
AUM!!	If necessary, adjust the suspension height to the dimension 400 mm!
D	C25/30 concrete (for foundations)
DT	Detail
F	Fall protection
G	Drainage layer
O.K	Top edge play level
O.K.F.	Top edge foundation
PS	Minimum safety area
Slb!	The shackles must be smooth-running and movable!
UER	Lower end of the pipes (foundation area)
	<p><u>Upper edges of concrete are rounded! Foundation sizes apply for regular soil classification 4-5 (grown surface).</u> <u>Soil classification 4: Light up to medium plasticity, interlaced, with little sediment (proportion < 30 % larger than 63 mm grain size in diameter).</u> <u>Soil classification 5: Grounds of soil classification 3 and 4 with more sediment (proportion > 30 % larger than 63 mm grain size in diameter)</u> <u>For safety reasons, foundations of sandy, soft grounds should be layered with a larger surface of at least 50%.</u></p>

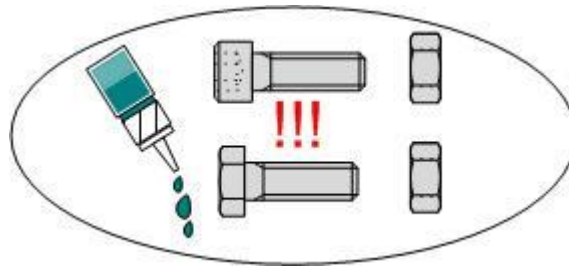
5 Assembly instruction



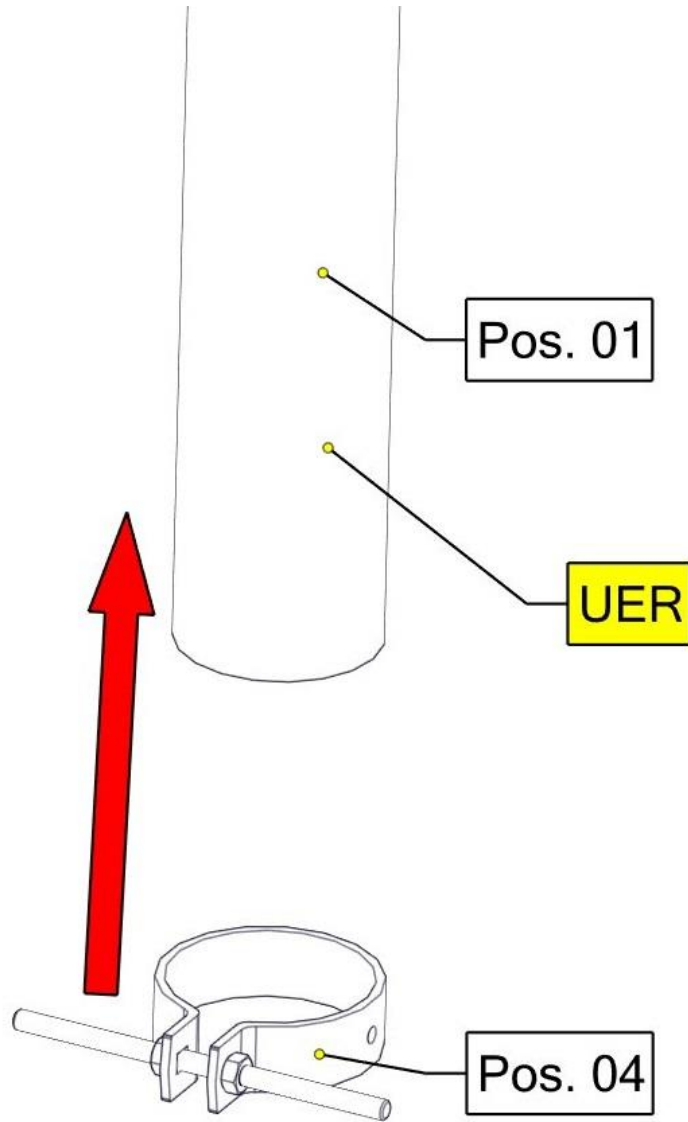


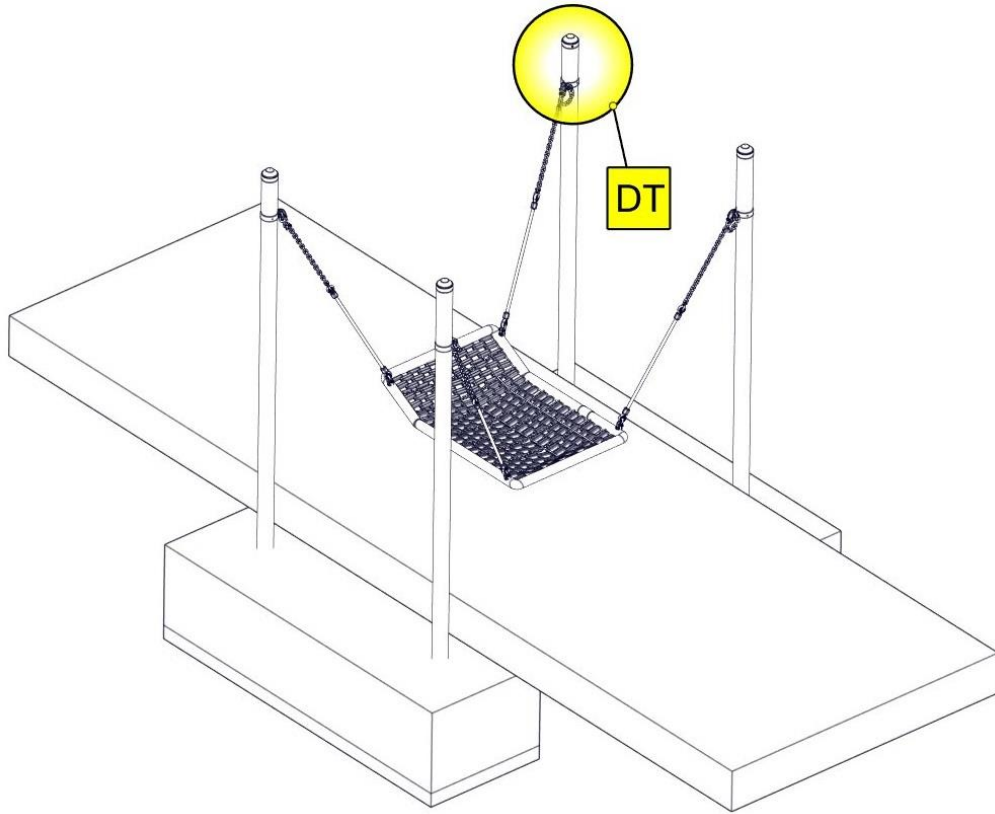


Thread locking!

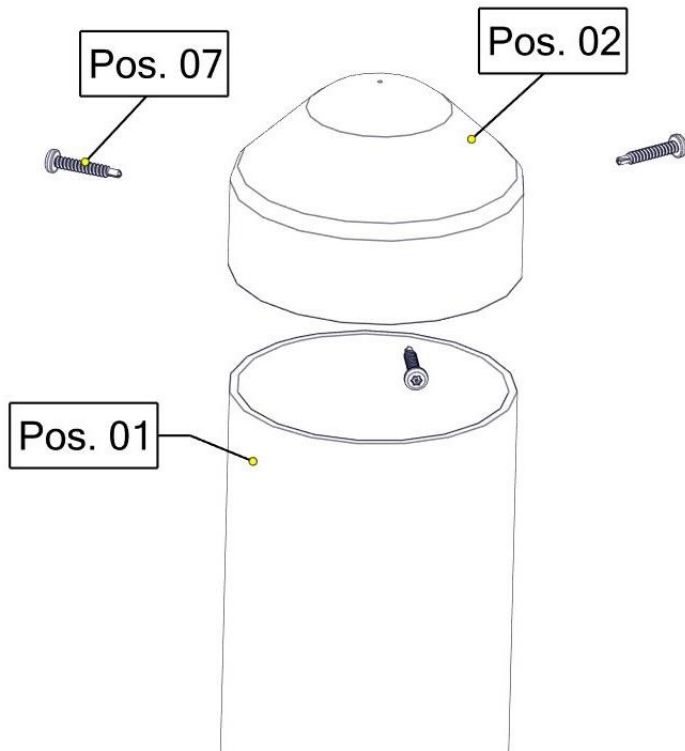


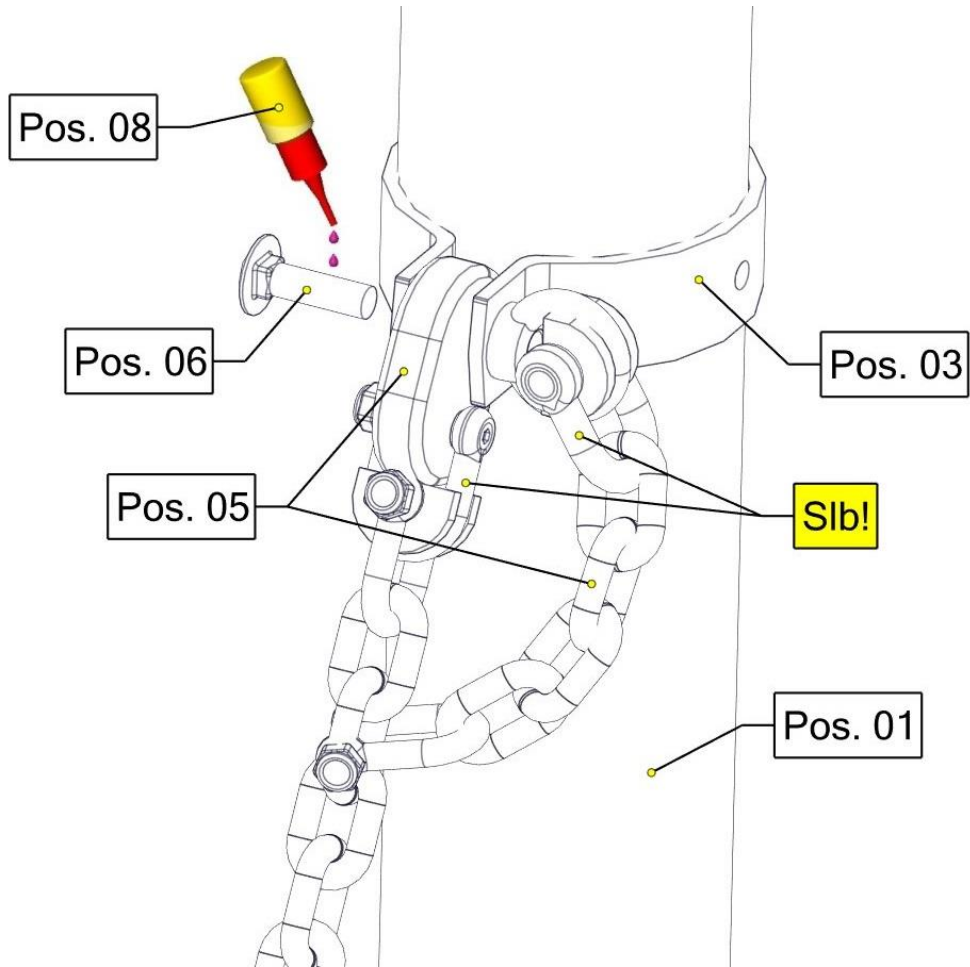
**All screw, nuts and bolts must be secured by
Loctite
(stop screw nuts excepted)**

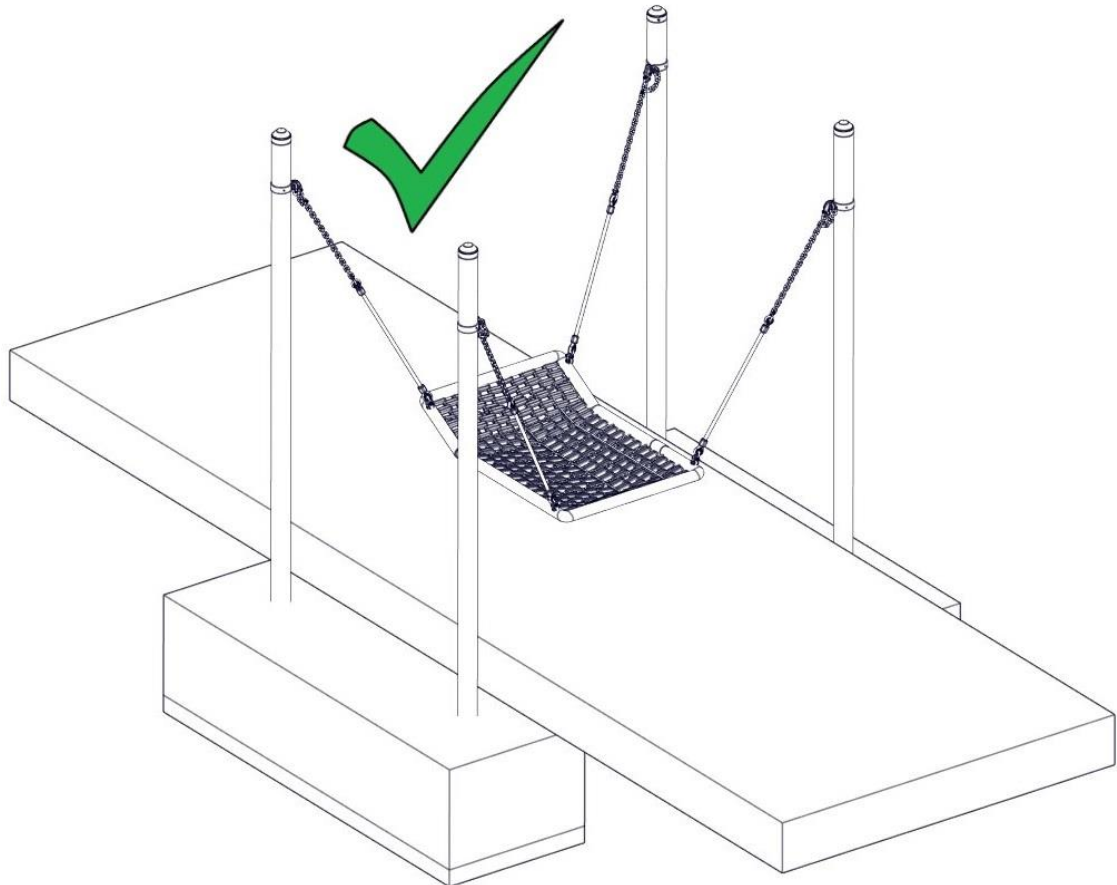




DT







6 Examination after installation



Notice

If the equipment is not installed in a secure manner you must ensure that access is closed to the public!

6.1 Marking the filling level (+/- 0,00m)

Markings on the equipment to indicate filling levels of fall protection material (for example of loose filling material).

6.2 In the following cases the equipment is not yet safely installed:

safe installation of the equipment is not fully completed

impact absorbing surface is not installed yet

the upkeep of occupational safety through appropriate maintenance can not be guaranteed

6.3 Removing assembly accessories

Please make sure that all accessories, which were used for the installation of the equipment, are removed from the play area! Only then the equipment can be declared open.

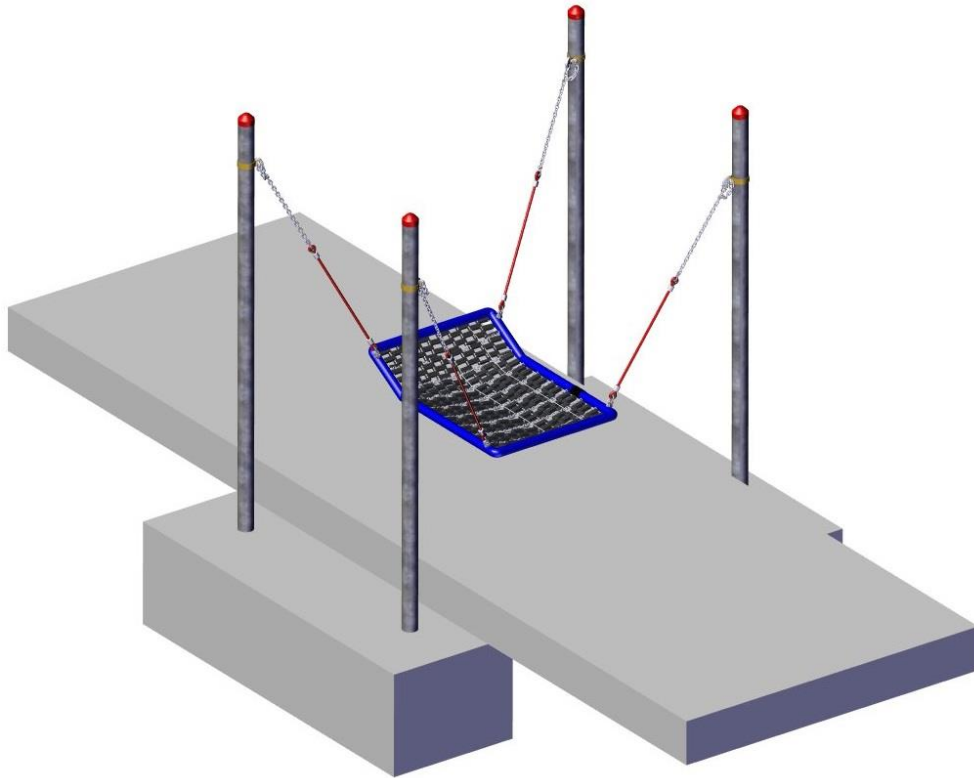
6.4 Details concerning inspection of the equipment prior to the first use

No acceptance test specifications apply prior to first use.

6.5 Retighten bolts

Please retighten all bolts after one week of initial use. Later, it is sufficient to retighten the bolts upon respective maintenance.

B Maintenance instructions “Swing Bed” Easy - Swing part no. 4591-50- 9



Revision 0 – 2007-08-21
First released version
Maintenance instruction SP

Revision 5 – 2020-05-18 PM
Geräteraufstellmaße komplett geändert nach neuer Norm EN 1176 2017

All rights reserved
© Copyright 2007 Huck Seiltechnik GmbH

7 Introduction maintenance

7.1 General information

his equipment should be installed, inspected, maintained and operated in accordance with EN 1176-7 guidelines.



Notice

Please note: Providing any necessary repairs are carried out, a piece of play equipment that is inspected regularly cannot become so damaged that it is dangerous.

Any spare parts which may be required can be obtained directly from your supplier or from Fa. Huck Seiltechnik GmbH

Adress: Huck Seiltechnik GmbH
Dillerberg 3
D-35614 Asslar/Berghausen
Tel. +49 6443 83 11-99
Fax +49 6443 83 11-79



This equipment should only be assembled, maintained and repaired by **persons with the necessary expertise.**

A copy of the inspection record should be given to the operator, who must confirm receipt.

This maintenance instruction is based on the standard “EN 1176-1:2008”.

8 General maintenance information

8.1 Maintenance intervals

Maintenance intervals are based on average use. Please note that more frequent inspections and/or maintenance are required if the play equipment is subject to intensive use!

8.2 Inspection frequency

The frequency of inspections must be based on actual use. Factors that affect frequency include vandalism, location (e.g. coastal proximity), air pollution and the age of the equipment!

8.3 Maintenance products and procedures

All nuts and bolts are hot-dip galvanised or stainless steel. One of the characteristics of stainless steel is that uncontrolled cold welding may occur when the nuts are tightened. To prevent this, it is necessary to spray the nuts and bolts with Teflon spray (for example HTS plus Teflon no. 893128, can be purchased from the company Würth) or another similar lubricant.

8.4 Spare parts

All spare parts must comply with the manufacturer's specifications!

8.5 Identifying spare parts

All spare parts are listed in the parts list. You find the parts list in chapter 3.

8.6 Special instructions for the disposal of individual equipment components

No special instructions are necessary.

8.7 Special measures in the starting time

No later than 2 weeks after assembly, all screwed connections should be checked and tightened if necessary.

8.8 Maintenance of fall protection surfaces

Surfaces providing fall protection must also be maintained regularly. It is particularly important to maintain the correct level of loose surface material and add more if necessary.

8.9 Faults



Damages must be repaired as soon as they are detected! If serious defects that affect the safety cannot be repaired straight away, the playground equipment must be closed to the public with immediate effect.

8.10 Loose screws



Loose screws always cause quality problems and put safety at risk. Therefore, loose screws should always be tightened and checks should be carried out to ensure that there are no missing screws (watch for see-through holes, for example).

8.11 Preventing equipment use

The use of the equipment should be prevented: in case of incomplete installation, disassembly, maintenance, repairs and faults.

8.12 Guarantee / warranty

Steel posts and post shoes are covered by our guarantee if regular maintenance is carried out and recorded in writing. Our general terms and conditions apply. Maintenance of steel poles first takes place after 3 years. The steel posts must be excavated down to the concrete foundations and checked **for corrosion**. Zinc paint should be applied to any corroded areas and scratches. Check ropes for abrasion. Ropes are to be re-impregnated once intensive abrasion occurs.

9 Maintenance timetable

9.1 Special advices

9.1.1 Maintenance interval

We strongly advise to carry out inspections and maintenance work within the specified periods as use of the equipment, weather and malicious vandalism cause wear and tear that compromise safety and function of the equipment.

9.1.2 Maintenance intervals in the event of intensive use

Please note that more frequent inspections and/or maintenance are required if the play equipment is subject to intensive use!!!

9.1.3 Faults that compromise safety



Notice

In the event of a fault that compromises safety, quick action must be taken: The equipment has to be closed immediately and repaired or dismantled.

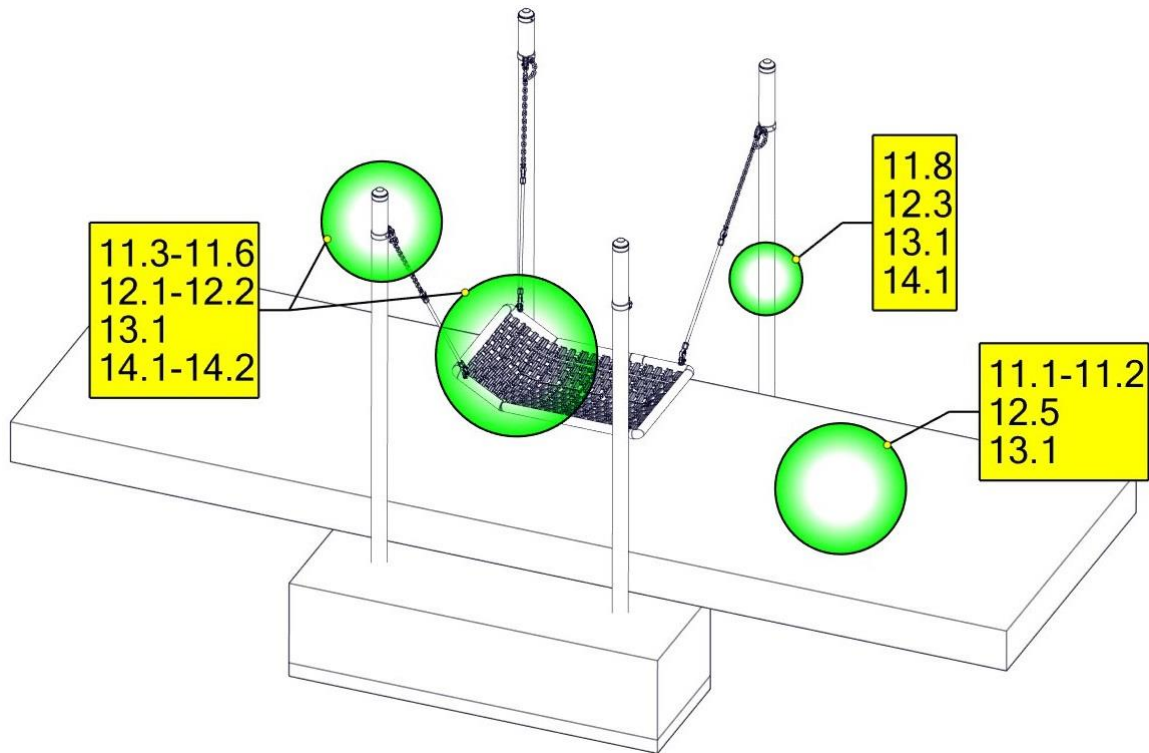
9.1.4 Faults that compromise function



Notice

Faults that compromise function should also be repaired immediately. Such faults lower the value of the equipment to the user and encourage malicious vandalism, which may render the equipment less safe. Any damages should be repaired immediately.

10 Regular maintenance



11 Monthly maintenance

- 11.1 Check the spaces between the equipment and the ground (clearance and height of fall).**
- 11.2 Check the ground surface of fall protection for hard objects and loose foundations.**
- 11.3 Check all connecting elements and fittings for wear and tear and tighten if necessary. Replace damaged or missing parts.**
- 11.4 Check that moving metal parts (joints, springs, etc.) move smoothly and are not worn. Replace if necessary.**
- 11.5 Check all attachments such as chains, ropes, nets, etc. for damage and replace if necessary.**
- 11.6 Check rubber parts, sleeves, etc. for wear and tear or damage and replace if necessary.**
- 11.7 Check the surface of wooden parts for damage caused by the weather or external influences and mould. Repair or replace if necessary.**
- 11.8 Check the surface of plastic and metal parts, e.g. slides, for damage and replace if necessary.**

12 Quarterly maintenance

- 12.1 Detailed inspection of the operation and stability of the equipment paying particular attention to any wear and tear.**
- 12.2 Tighten all types of fastenings.**
- 12.3 Repaint and retreat surfaces.**
- 12.4 Maintenance of fall protection surfaces.**
- 12.5 Check height of fall protection material and fill up with loose filling material if necessary! If the posts are marked, fill up correspondingly.**
- 12.6 Retighten bolts.**

13 Half-yearly maintenance

- 13.1 The stability of supporting posts, braces, foundations etc. has to be checked. Once repair respectively replacement is completed, the entire equipment has to be verified.**



Annual main inspection

14 Annual maintenance

- 14.1 The complete equipment as well as the foundations and the surfaces are to be checked if they are generally safe.
- 14.2 The equipment is to be verified according to rotting and corrosion. For that some parts might have to be excavated. Zinc paint should be applied to any corroded areas and scratches.



The equipment must be inspected by someone with the necessary expertise in strict compliance with the instructions issued by Huck Seiltechnik GmbH.

A copy of the inspection record is to be given to the operator, who must confirm receipt!

15 Maintenance printout

Name of equipment: „Swing Bed“ Easy-Swing _____ / Part no. 4591-50-9 _____

Location: _____

Customer or operator: _____
 (Town, municipal, kindergarden)

Date of inspection	Inspector	OK	Accessible	Closed	Defects	Repaired by	Date

Please copy and return to the manufacturer by Telefax +49 (0)6443 / 83 11 79 once a year after main inspection has been carried out.

Place the confirmation form in your existing play equipment files!

16 Hand-over document



Attention

After the installation of the equipment, the installation and maintenance documents are to be handed over to the operator. The operator has to have the documents signed. The complete filled and signed hand over documents are to be sent back to the supplier Huck Seiltechnik GmbH via fax +49 (0)6443 / 83 11 79!

Part no.: 4591-50-9

Type of equipment: „Swing Bed“ Easy – Swing

Serial number: _____

Customer or operator (town, municipal, kindergarden, etc.):

Person in charge:

Installation company (address):

Assistant in charge (assembler):

Complete assembly instruction, maintenance instruction and maintenance printout received,

(Signature operator)
(Stamp)

(Signature installation company)

Date: _____