

A Assembly Instructions

Bird's nest tree with bridge and slide

Art.-No. 4652-2



Operator: _____

Location: _____

Revision history

Revision 0 – 2015-03-04

The first allowed version JS

Assembly Instructions FH

Revision 3 -2019-10-09

Erdeinschraubanker statt Fundamenteisen PM

All rights reserved

© Copyright 2015 Huck Seiltechnik GmbH

**Please note the explanations and abbreviations and notes.
For any queries please contact the manufacturer**

Contents

A	Assembly Instructions Bird's nest tree with bridge and slide Art.-No. 4652-2	1
1	Introduction Assembling	4
2	Datasheet: Bird's nest tree with bridge and slide Art.-Nr.4652-2.....	5
3	Delivery contents (parts list with part numbers)	7
4	Assembly instructions.....	15
5	Post installation checks	33
B	Maintenance instructions Bird's nest tree with bridge and slide Art.-Nr. 4652-2 ...	35
6	Introduction Maintenance.....	37
7	General maintenance information	38
8	Maintenance timetable.....	40
9	Regular maintenance.....	41
10	Monthly maintenance	42
11	Quarterly maintenance	42
12	Half yearly maintenance	43
13	Annual maintenance.....	43
14	Maintenance printout.....	45
15	Hand over document	47

List of Tables

Table 3-1: Delivery contents, in words	7
Table 3-2: Delivery contents, in symbols.....	9

1 Introduction Assembling

1.1 General information

This equipment should be installed, inspected, maintained and operated in accordance with EN1176-7 guidelines.

Before installation work commences, please check that you have all of the equipment and fixation components in the parts list provided (see Tables 3-1 and 3-2).

Please consider that the installation has to be carried out only on even terrain (max.slope up to 3%).

Any spare parts that may be required can be obtained directly from your supplier or from Fa. Huck Seiltechnik GmbH

Adress: Huck Seiltechnik GmbH
Dillerberg 3
D-35614 Asslar/Berghausen
Tel. +49 6443 83 11-0
Fax +49 6443 83 11-79

Please do not hesitate to call your supplier if you have any problems during installation or with any other questions. You can reach us at the following **Tel. +49 6443 83 11-99.**



Following installation, complete assembly instructions, maintenance instructions and a maintenance record must be sent to the operator who must confirm receipt in writing. See the last page of this document.



All nuts and bolts are hot-dip galvanised or stainless steel. One of the characteristics of stainless steel is that uncontrolled cold welding may occur when the nuts are tightened. To prevent this, it is necessary to spray the nuts and bolts with Teflon spray or another similar lubricant.

We hereby confirm that this play equipment has been tested and certified in accordance with the play equipment standard EN 1176-1.

2 Datasheet: Bird's nest tree with bridge and slide Art.-Nr.4652-2

1. Component zone: 13200 mm x 7100 mm
 Impact area: 16900 mm x 11000 mm
 height of fall: 6000 mm
 Free height of fall: 2800 mm

2. Required safety surface:

Surface material	Description mm	Minimum thickness of layer mm	Maximum height of fall mm
Topsoil grass			<= 1000
Chipped bark	20 – 80 grain size	300 400	<= 2000 <= 3000
Wood chippings	5 – 30 grain size	300 400	<= 2000 <= 3000
Sand	0,2 – 2 grain size	300 400	<= 2000 <= 3000
Gravel	2 – 8 grain size	300 400	<= 2000 <= 3000
Other ground materials	As recommended by manufacturer		Critical fall height as checked

Name and overall dimension of the largest component:

Steel post (1 piece) length 6.20 m, Ø 193.7 mm

Name and weight of the heaviest component:

Steel post (1 piece) ~ 157 Kg

Intended age group: 6 years and over



Please note that this equipment is set in concrete.

Concrete: C25/30

Required concrete: 4,4 m³

Foundations/area to be excavated:

excavated (All foundations must be brought to equal level!)

13 x 0.40 m long x 0.40 m wide, total depth 1.00 m including 10 cm drainage

1 x 2.00 m long x 0.40 m wide, total depth 1.00 m including 10 cm drainage

2 x 1.40 m long x 0.80 m wide, total depth 1.10 m including 10 cm drainage

1 x 1.60 m long x 1.20 m wide, total depth 1.30 m including 10 cm drainage



Attention

Foundation edges must be rounded off (min.R = 100 mm)!

Sizes of foundations are designed for soils class "4-5" (natural ground).

Soil class 3: Non-cohesive to low-cohesive plasticity, sand, gravel and sand-gravel-mixtures, with very low portion of stones portion of stones (portion > 30% with bigger dia-meter of 63 mm grain size)

Soil class 4: soft to medium plasticity, interleave bound, with minor portion of stone (portion < 30% with bigger diameter of 63 mm grain size)

Soil class 5: **Soil class 5:** ground with soil class 3 and 4 with big portion of stones (portion > 30% with bigger diameter of 63 mm grain size)

IN CASE OF SANDY AND SOFT SOILS, THE SURFACE DIMENSIONS OF FOUNDATIONS HAVE TO BE ENLARGED FOR ABOUT 50%!.

Assembly time, once foundations complete:

After completion of concrete foundations approx. 7 hours

Required assistance: 3 persons.

Required tools: wheel excavator or similar with a lifting height of approx. 4 m height ladder approx. 4 m long, spirit level, various wrenches and screwdriver.

Any spare parts which may be required can be obtained directly from your supplier or from Fa.Huck Seiltechnik GmbH

Adress: Huck Seiltechnik GmbH
Dillerberg 3
D-35614 Asslar/Berghausen
Tel. +49 6443 8311-0
Fax +49 6443 8311-79

We hereby confirm that this item of play equipment has been tested and certified in accordance with the play equipment standard EN 1176.

Drawings / Views

All optical drawings are showing only the measurements/dimensions and are no mandatory technical views of the complete item.

We reserve the right to change technical details of our articles which are serving for the further development of our articles and are reasonable for the customer.

Measurement tolerances

Because of the properties and characteristics of the components, minor measurement tolerances compared to the indication on the sketches are possible.

This concerns all shown measurements except the foundation measurements resp. measurements below upper edge ground level/play area.

3 Delivery contents (parts list with part numbers)

3.1. In words

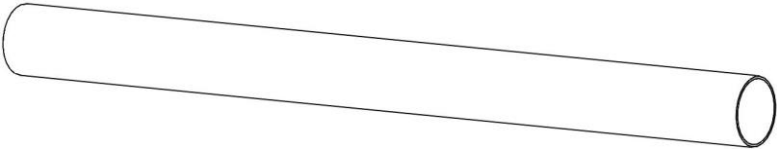
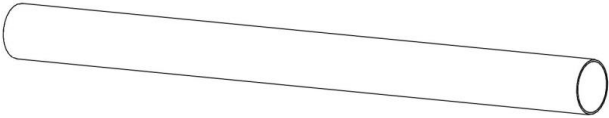
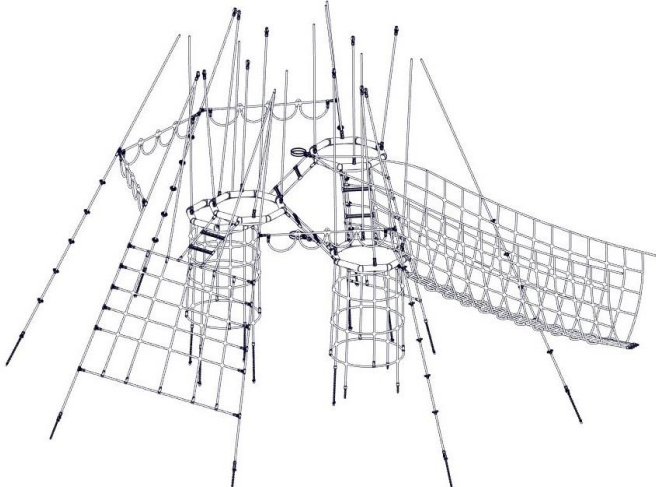
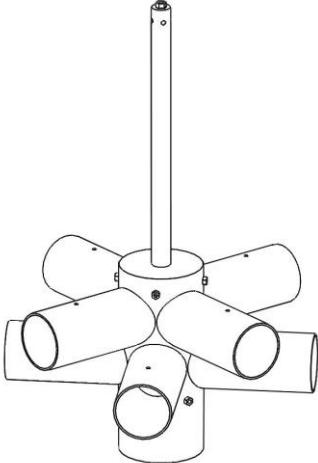
Table 3-1: Delivery contents, in words

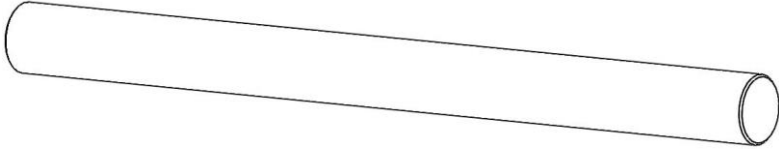

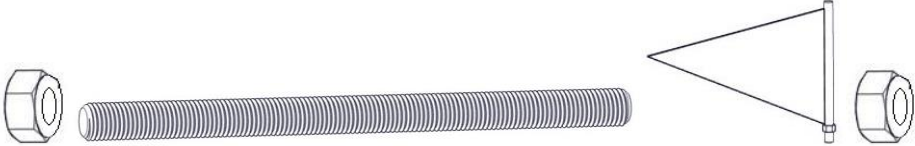
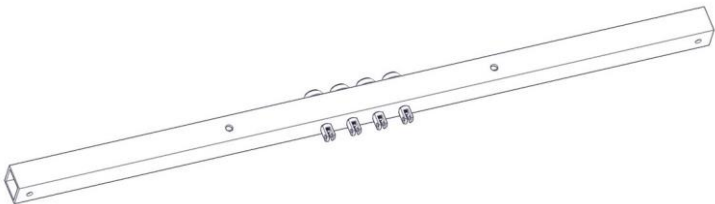
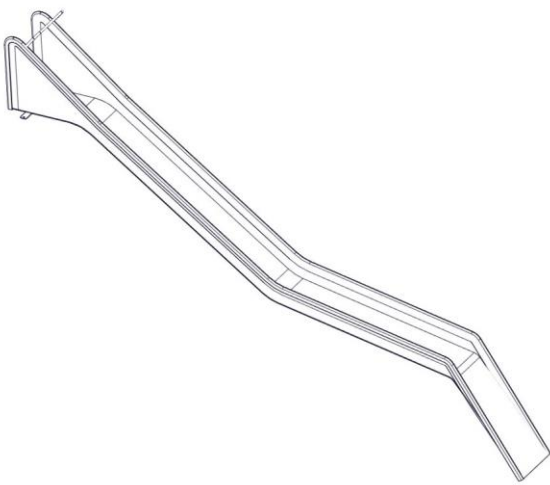
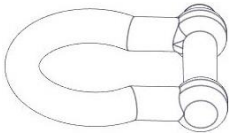
Pos.	Quantity	Element / Description	Size	O.K.	Mis-sing
01	1	Steel post	Ø 193,7 mm / 6200 mm lg.		
01a	2	Steel post	Ø 159 mm / 4100 mm lg.		
02	1	Play part (nets and bird's nests)	/		
03	1	Mast cap	Ø 219,1 mm / 1240 mm		
04	8	Glue-laminated beam	Ø 139 mm / 1650 mm lg.		
05	4	Top rope for glulam pole (pre-assembled on Pos. 03)	1850 mm lg.		
06	1	Flag / blue + threaded bolt + 2x nuts	M16		
07	1	Traverse	1500 mm lg. / 50x50x5 mm		
08	1	Slide	AH 1750 mm / 3750 mm lg. / GFK		
101	18	Bow shackle	M8 / VA		
102	18	Ground screw anchor	365 mm lg.		
103	16	nyloc nut + washer + black cap	M12		
104	8	Ring nut (1x pre-assembled)	M12 / VA		
105	8	Red post cap	Ø 139 mm		
106	24	Fillister-head screw	3,5 x 25 mm		
107	8	Threaded bolt + 2x acorn nut + 2x washer	M10 x 175 mm		
108	3	Loctite	3 ml		
109	8	hexagon socket screw	M12 x 25 mm		
110	2	Clamp	Ø 193,7 mm		
111	2	oval-head screw + washer	M12x 80 mm		
112	1	anchor plate	500 x 500 mm		
113	48	Washer (2x pre-assembled)	M12		

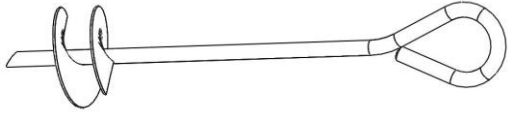
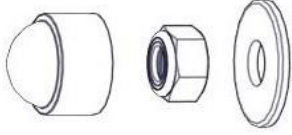




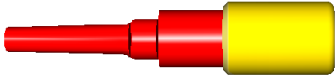

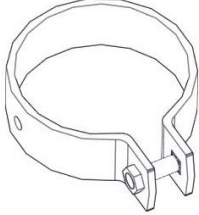
114	4	Caps (black) + Washers + Stop nuts	M12		
115	2	Allen screws and Washers	M8 x 75 mm		
200 (KNR)	1	PVC pipe (Provided by customer)	Ø400 x 850 mm		
210	2	flagstone	400 x 400 mm		
220 (KNR)	2	PVC pipe (Provided by customer)	Ø250 x 650 mm		

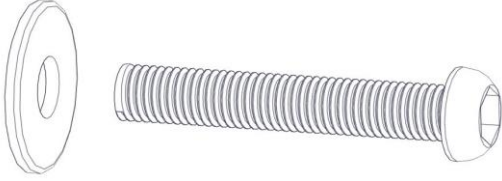
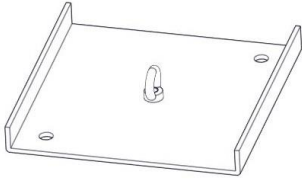

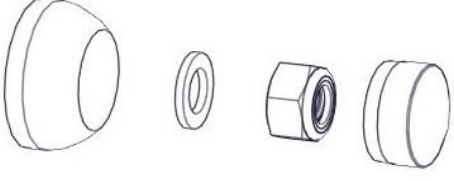
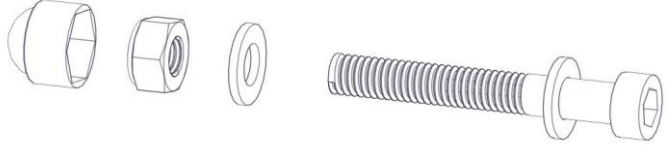
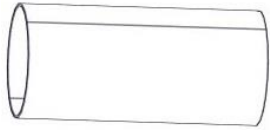
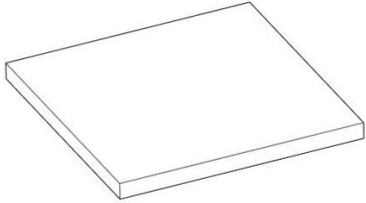
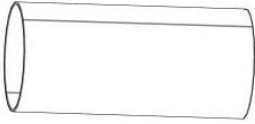
3.2. In symbols


Table 3-2: Delivery contents, in symbols

Pos.	Quantity	Symbol
01	1	 <p data-bbox="778 618 1161 658">Ø 193,7 mm / 6200 mm lg.</p>
01a	2	 <p data-bbox="794 784 1145 824">Ø 159 mm / 4100 mm lg.</p>
02	1	 <p data-bbox="715 1330 1232 1368">Play part (Nets, bridge and birds' nests)</p>
03	1	 <p data-bbox="801 1861 1145 1899">Ø 219,1 mm / 1240 mm</p>

<p>04</p>	<p>8</p>	 <p>Ø 140 mm / 1650 mm lg.</p>
<p>05</p>	<p>4</p>	 <p>1850 mm lg. (Pre-assembled on Pos.3)</p>
<p>06</p>	<p>1</p>	 <p>M16</p>
<p>07</p>	<p>1</p>	 <p>1500 mm lg. / 50 x 50 x 5 mm</p>
<p>08</p>	<p>1</p>	 <p>AH 1750 mm / 3750 mm lg.</p>
<p>101</p>	<p>18</p>	 <p>M8</p>

102	18	 365 mm lg.
103	16	 M12
104	8	 M12 (1x pre-assembled)
105	8	 Ø 139 mm
106	24	 3,5 x 25 mm
107	8	 M10 x 175 mm
108	3	 3 ml
109	8	 M12 x 25 mm
110	2	 Ø 193,7 mm

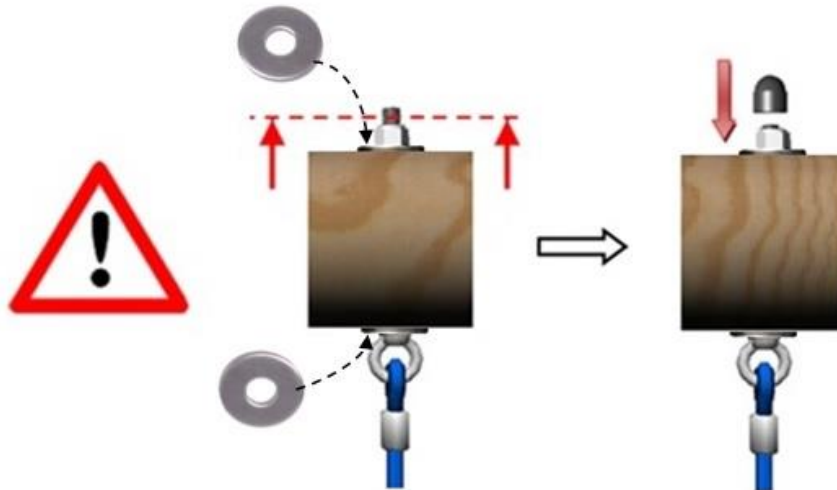
<p>111</p>	<p>2</p>	 <p>M12 x 80 mm</p>
<p>112</p>	<p>1</p>	 <p>500 x 500 mm</p>
<p>113</p>	<p>48</p>	 <p>M12</p>
<p>114</p>	<p>4</p>	 <p>M12</p>
<p>115</p>	<p>2</p>	 <p>M8 x 75 mm</p>
<p>200 (KNR)</p>	<p>1</p>	 <p>Ø 400 mm / 850 mm lg.</p>
<p>210</p>	<p>2</p>	 <p>400 x 400 mm</p>
<p>220 (KNR)</p>	<p>2</p>	 <p>Ø 250 mm / 650 lg.</p>

4 Abbreviations	
AB	Setting time min. 7-8 days
AH	hanging height
ASP	Fix the pipe clamps at the appropriate positions.
D	C25/30 concrete (for foundations) Q.ty required: 4,4 m ²
D.be.	Fill in around the central mast with concrete. (between drainage tube and central mast)
DT	Detail
EDF	turn the ground anchor in to foundation / don't press
F	Fall protection
FOU	Foundation
FR	foundation radius at least 100 mm
G	Drainage layer
HK.entf.!!	Remove wooden wedges after concrete work
K	Chain position of chimney net
KELA	Chains should be shortened during installation if necessary.
KNR	Drainage tube / concrete or PVC
lg.	Length
MA!!!	The foundation numbers have to suit with the glulam pole numbers
MEb	Pay careful attention to mark when mounting the post.
MKe	Insert the mast into the drainage tube
MSE	After mounting the steel post and the glue-laminated beams, the ropes must first be hooked in
O.K	Top edge play level
O.K.F.	Top edge foundation
OAZ	The opening must be show outwards / not in tensile direction
PNU	Lay the net-part packet with the underside around the mast.
PS	Minimum safety area 114,2 m ²
SSch	After putting on the post-cap, grease the hexagon-screw and tight up.
TvEM!	Install the cross beam before installing the posts.
UEA!	Smooth out any unevenness in the foundation that occurs when screwing in the ground anchor. Otherwise a water accumulation develops
VO	Pre-assembled
	<p><u>Foundation edges must be rounded off (min.R = 100 mm)</u> <u>Sizes of foundations are designed for soils class“4-5” (natural ground).</u></p> <p><u>Soil class 3:</u> Non-cohesive to low-cohesive plasticity, sand, gravel and sand-gravel-mixtures, with very low portion of stones portion of stones (portion > 30% with bigger diameter of 63 mm grain size)</p> <p><u>Soil class 4:</u> soft to medium plasticity, interleave bound, with minor portion of stone (portion < 30% with bigger diameter of 63 mm grain size)</p> <p><u>Soil class 5:</u> <u>Soil class 5:</u> ground with soil class 3 and 4 with big portion of stones (portion > 30% with bigger diameter of 63 mm grain size)</p> <p><u>IN CASE OF SANDY AND SOFT SOILS, THE SURFACE DIMENSIONS OF FOUNDATIONS HAVE TO BE ENLARGED FOR ABOUT 50%!.</u></p>

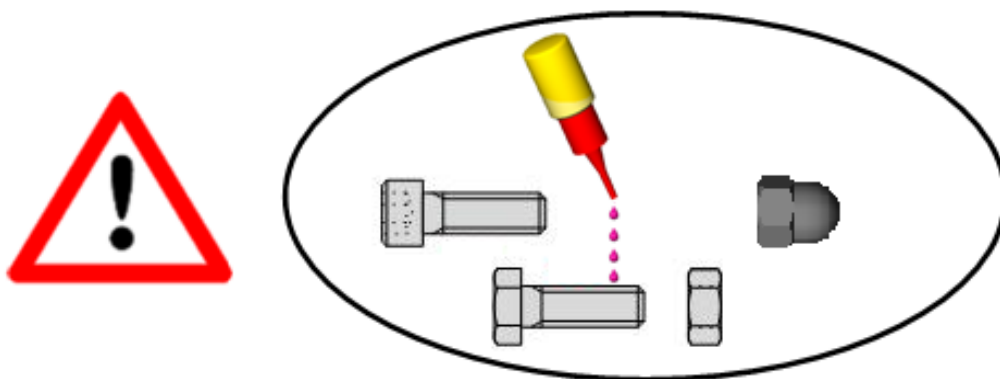
The natural properties of wood can lead to different cross-sections in heat and humidity.

e.g. Post Ø 180 mm (tolerance 173mm - 183mm)

Possible lengths of the eye bolts or bearings are then to cut!

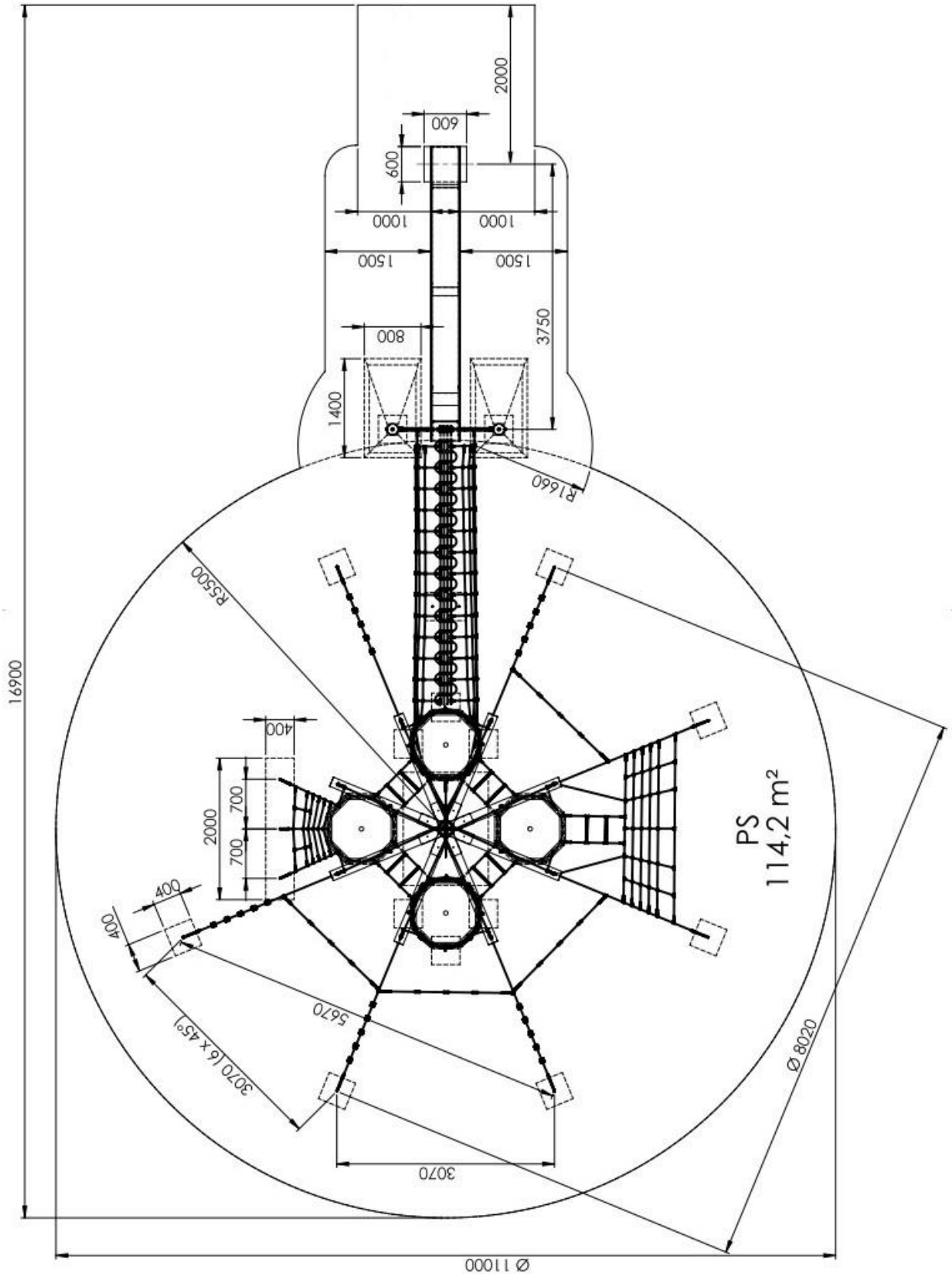


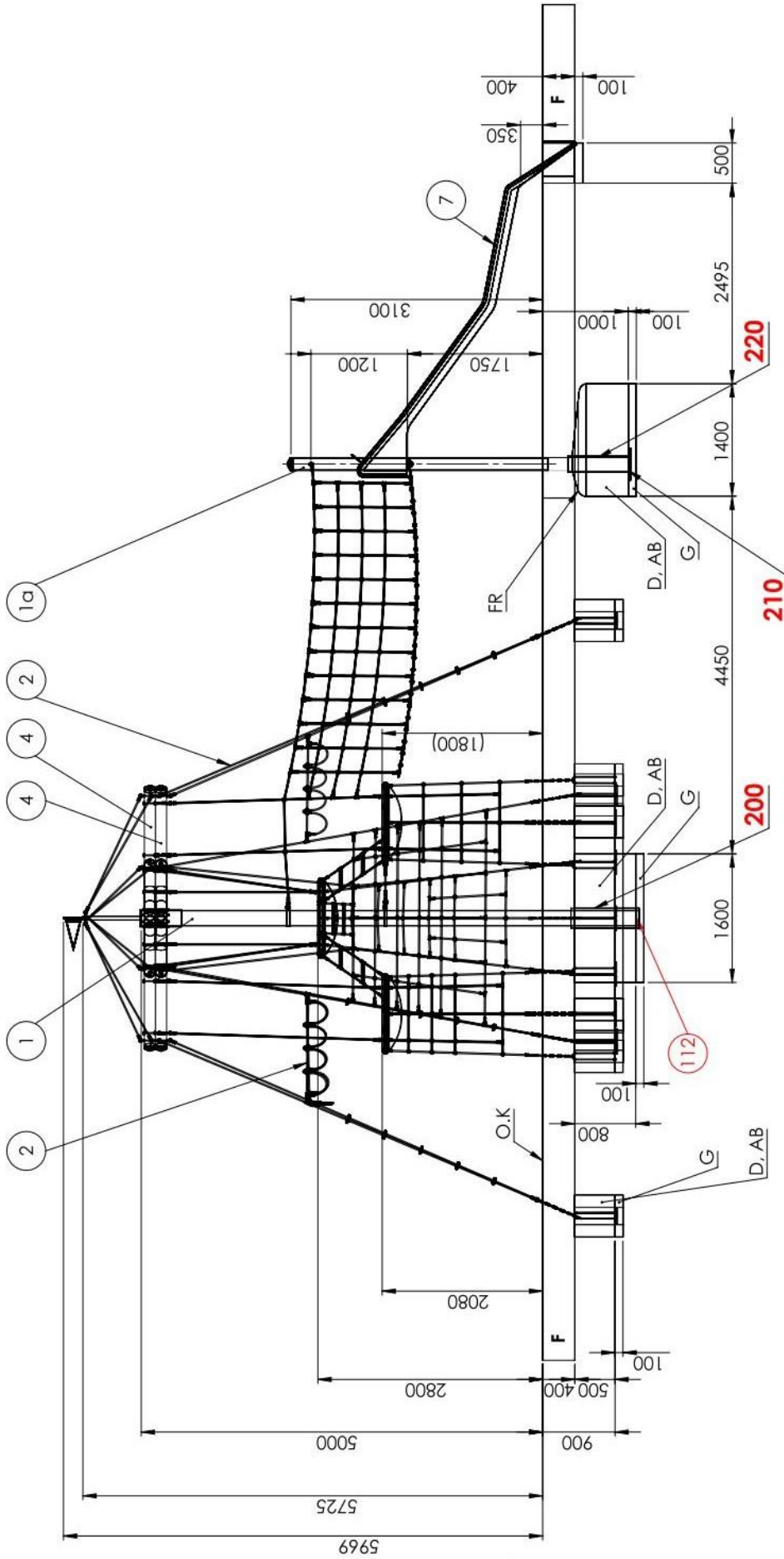
Screw locking device!

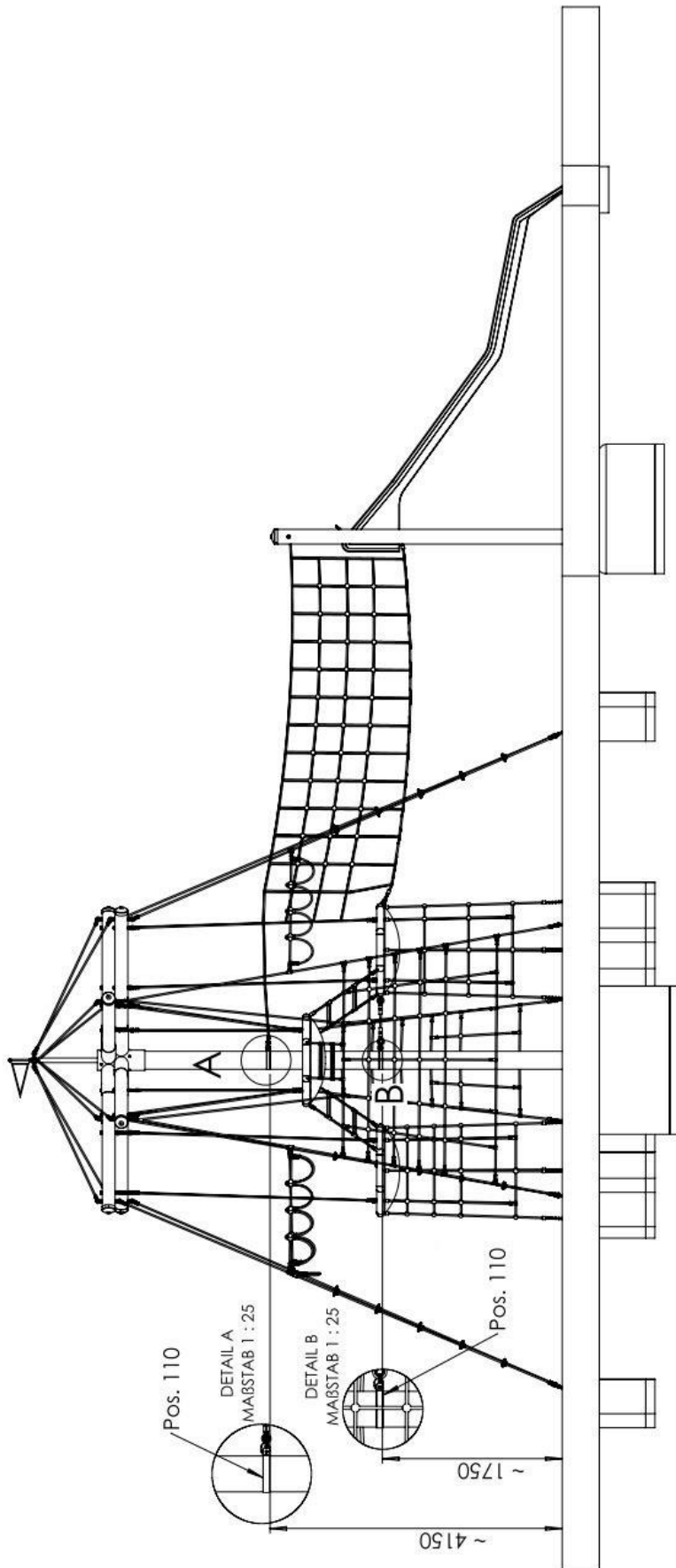


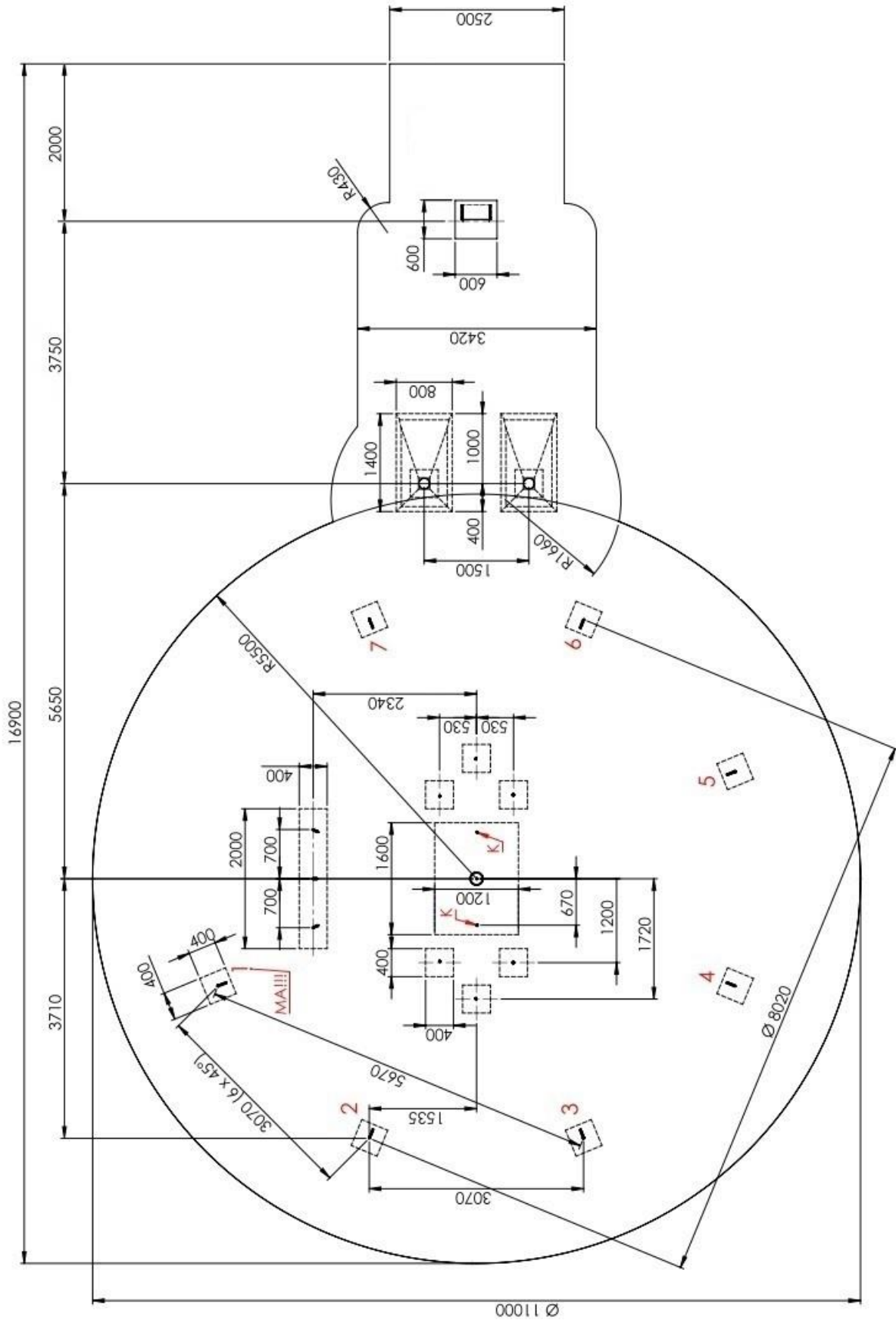
**glue all screws, nuts and sleeves with loctite.
(not less than 5 drops !)
(except for lock nut)**

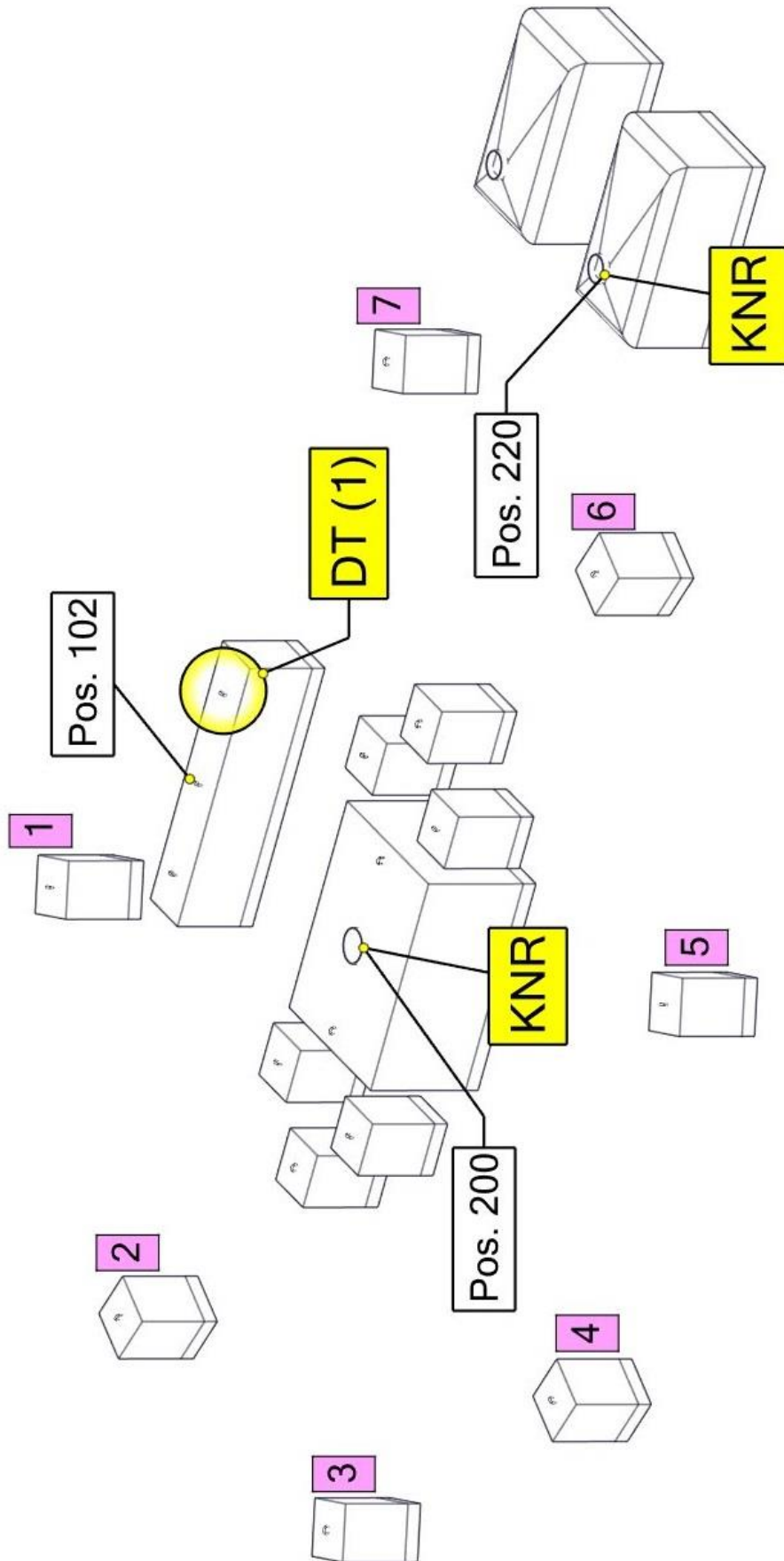
5 Assembly instructions

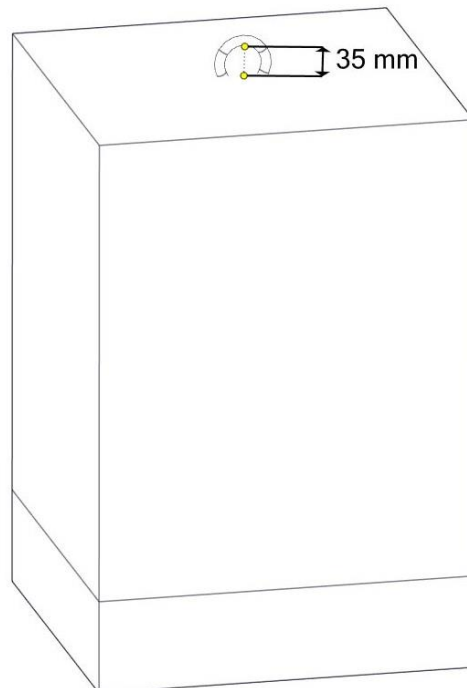
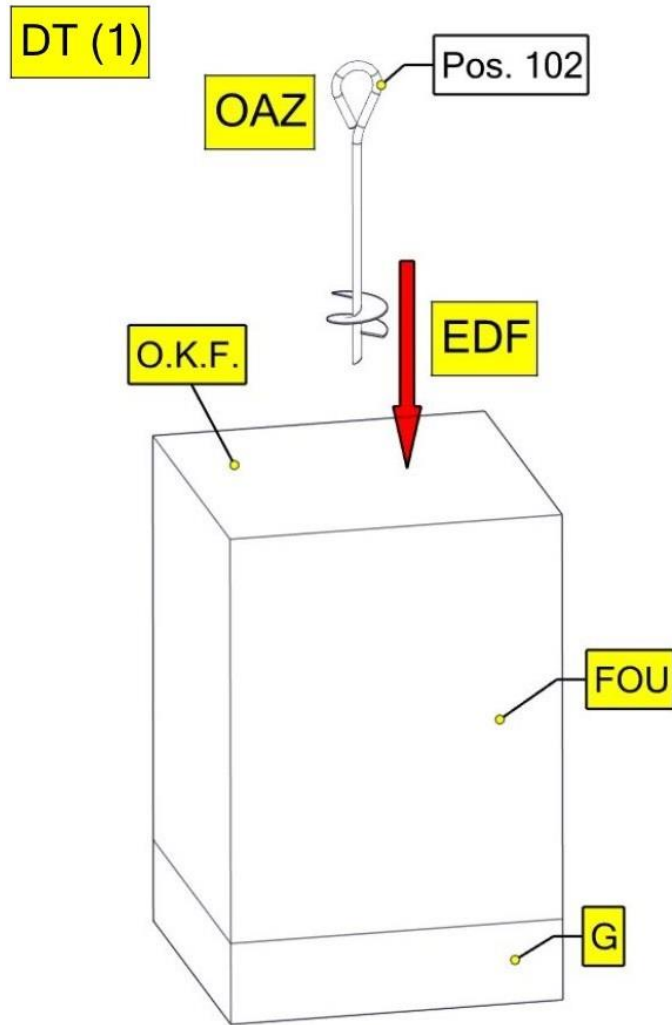


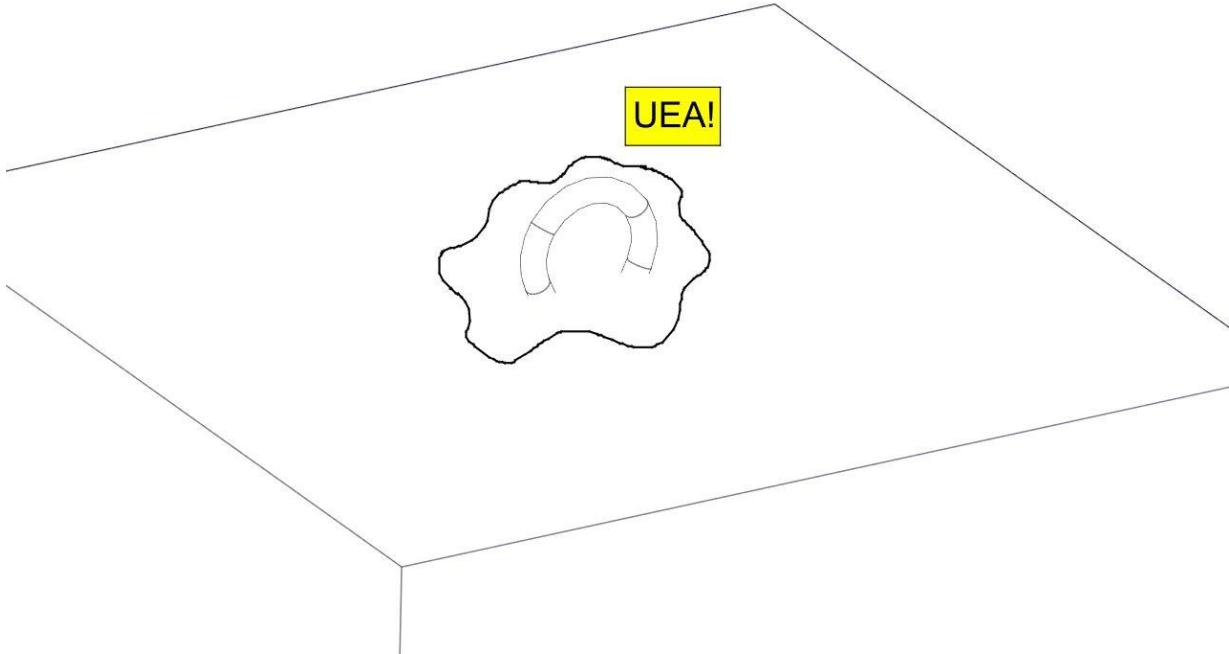


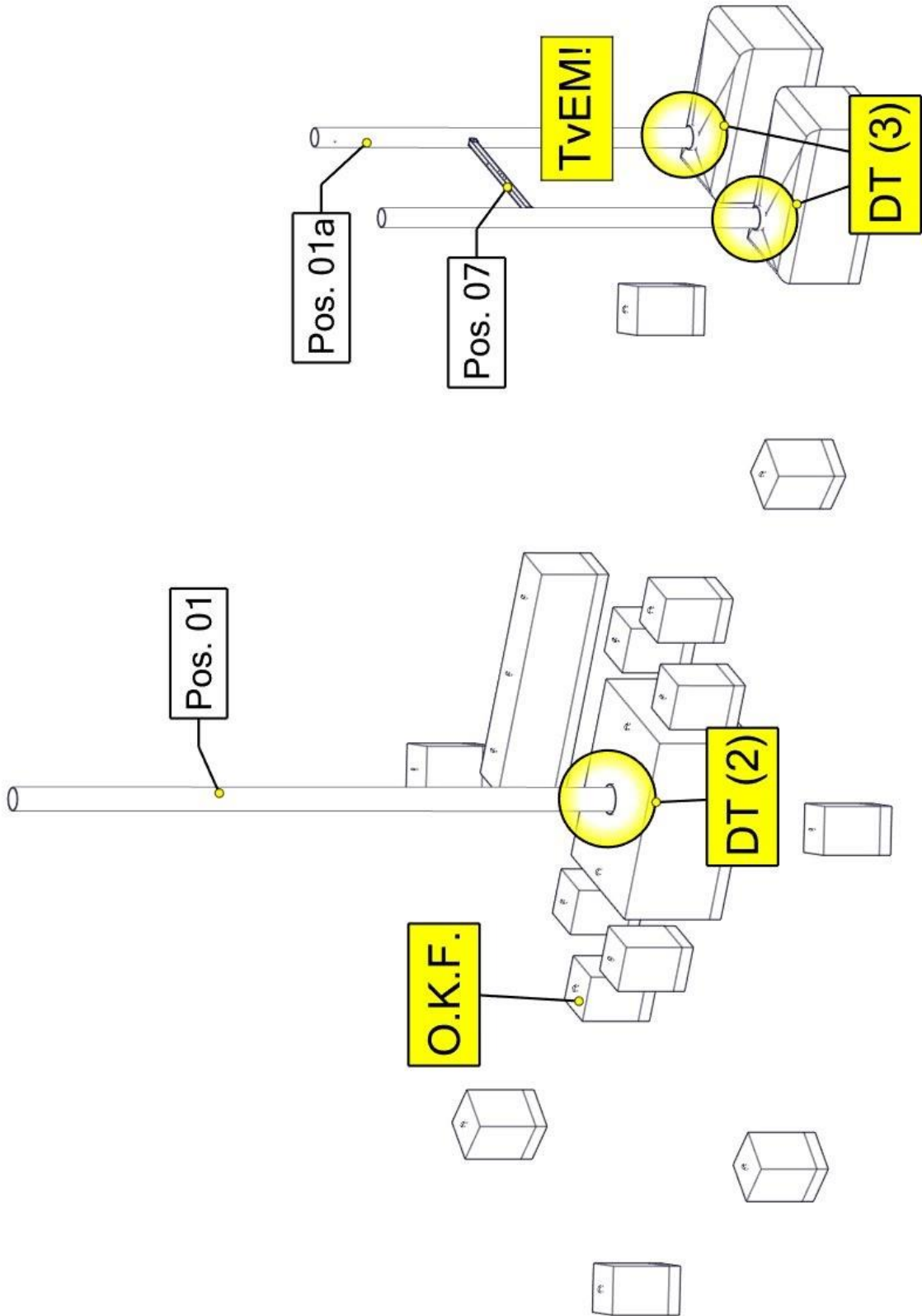


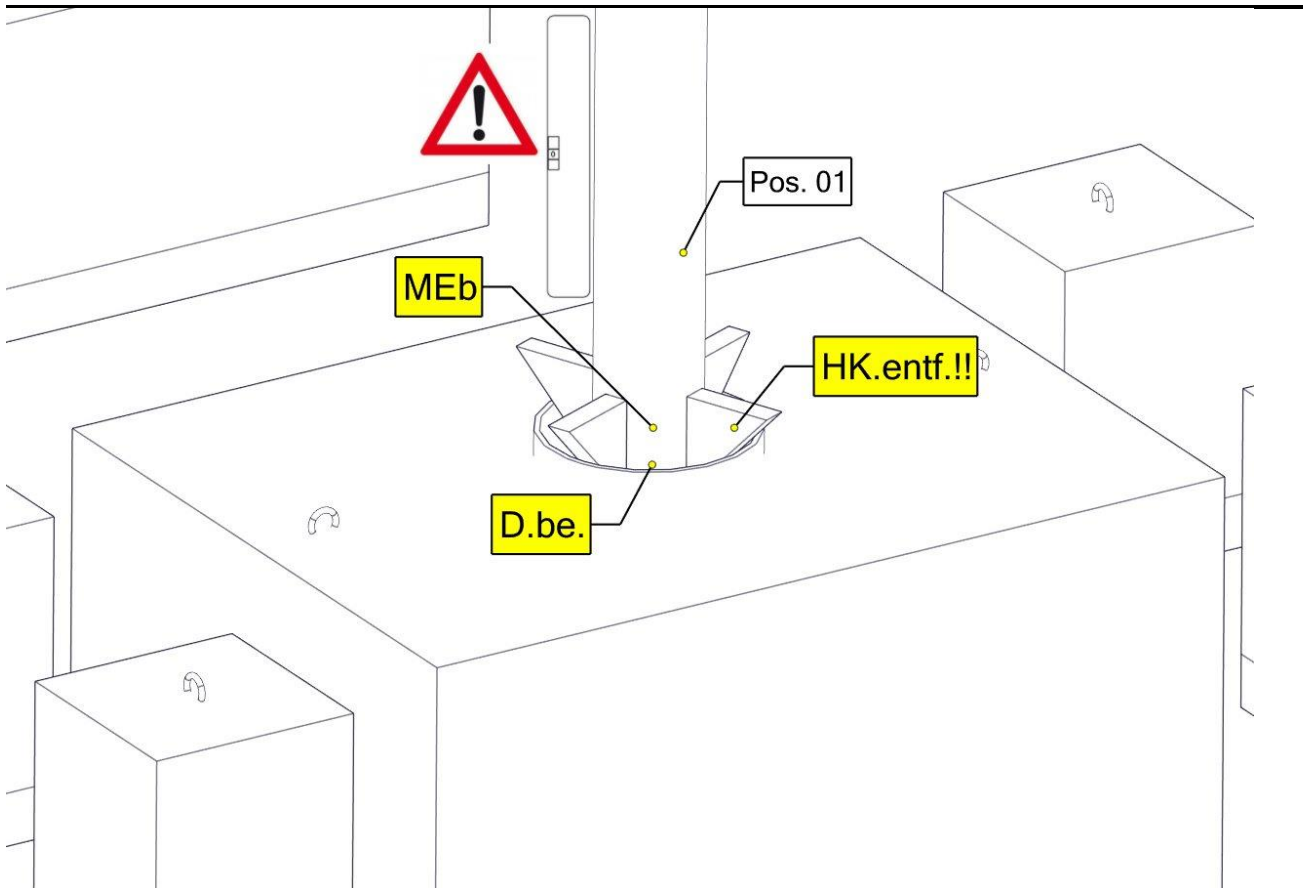
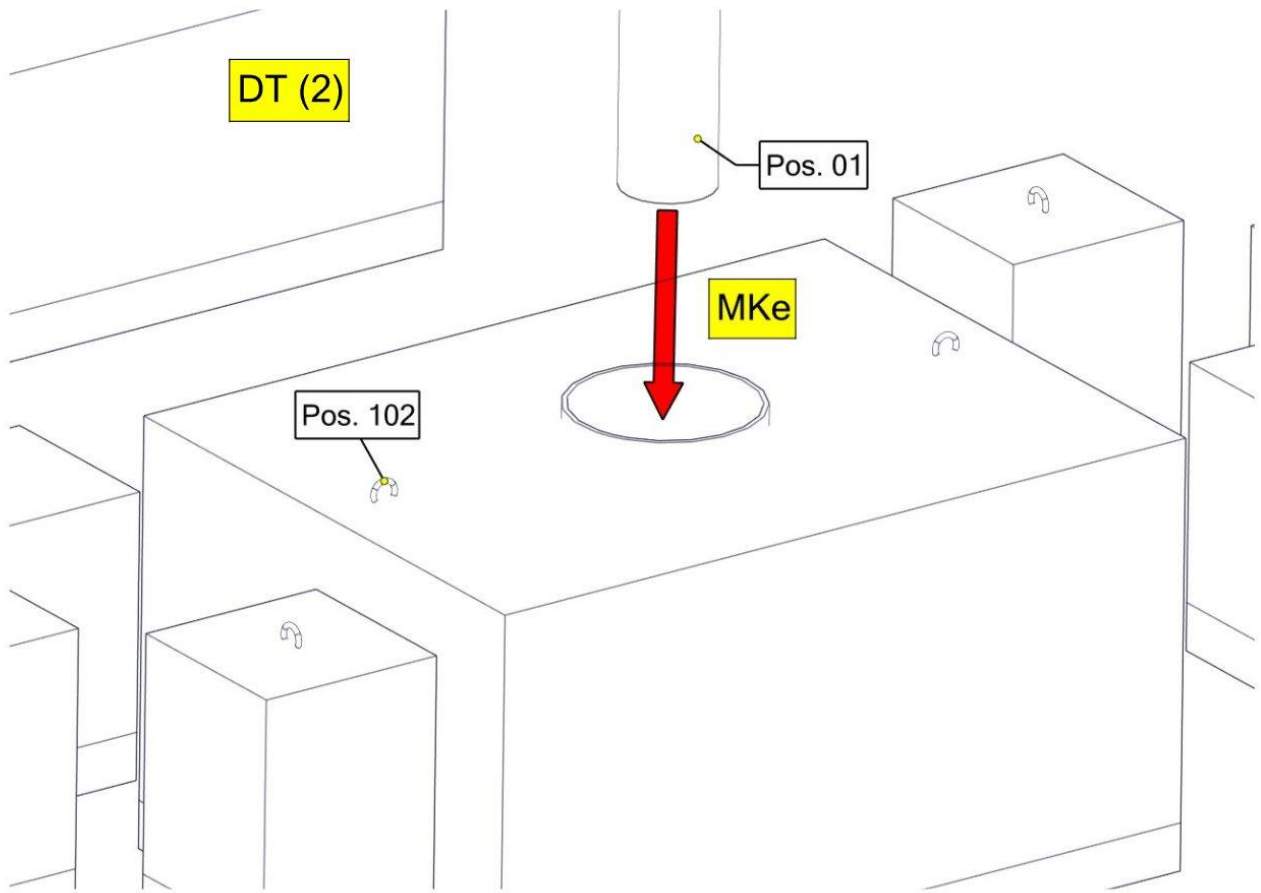


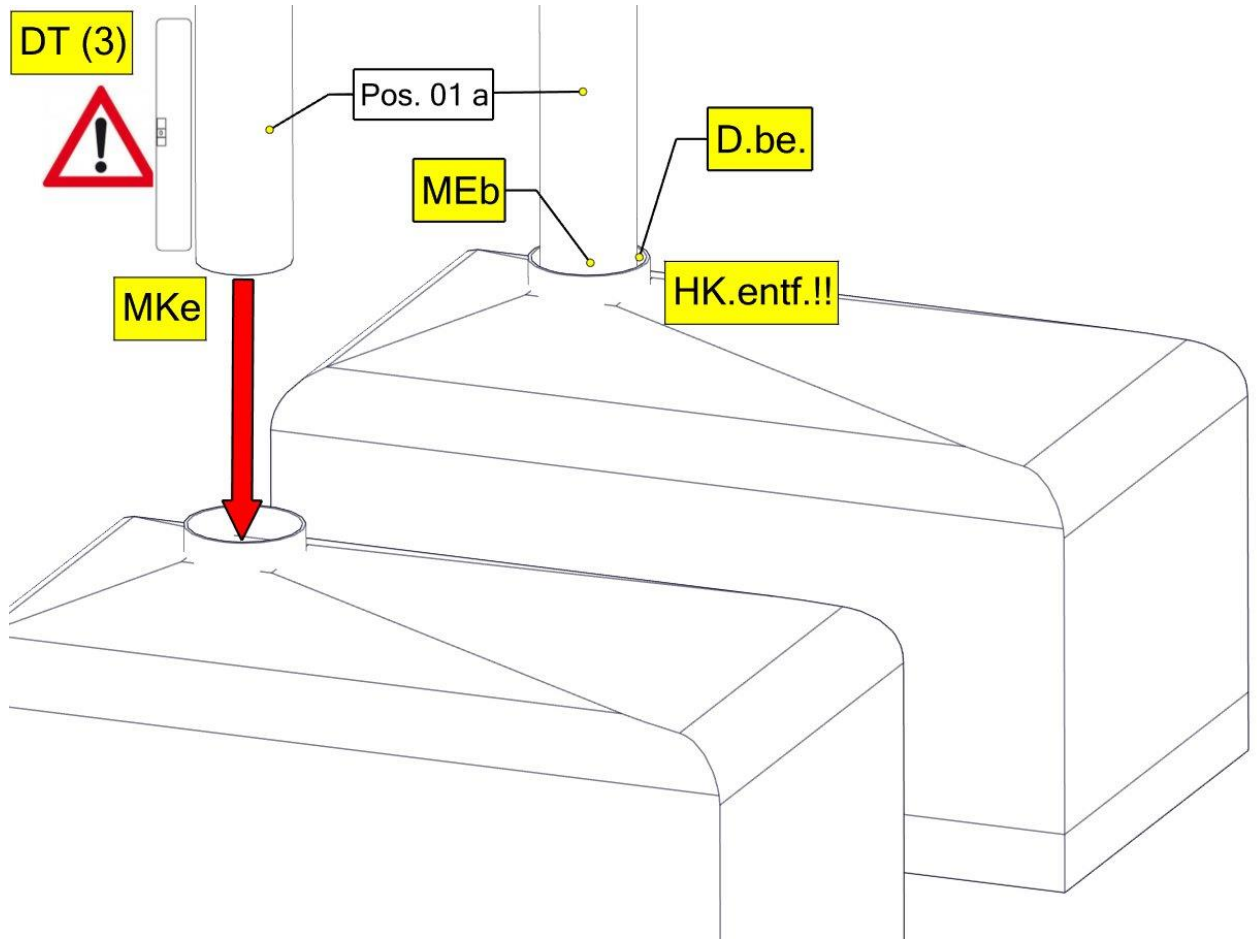


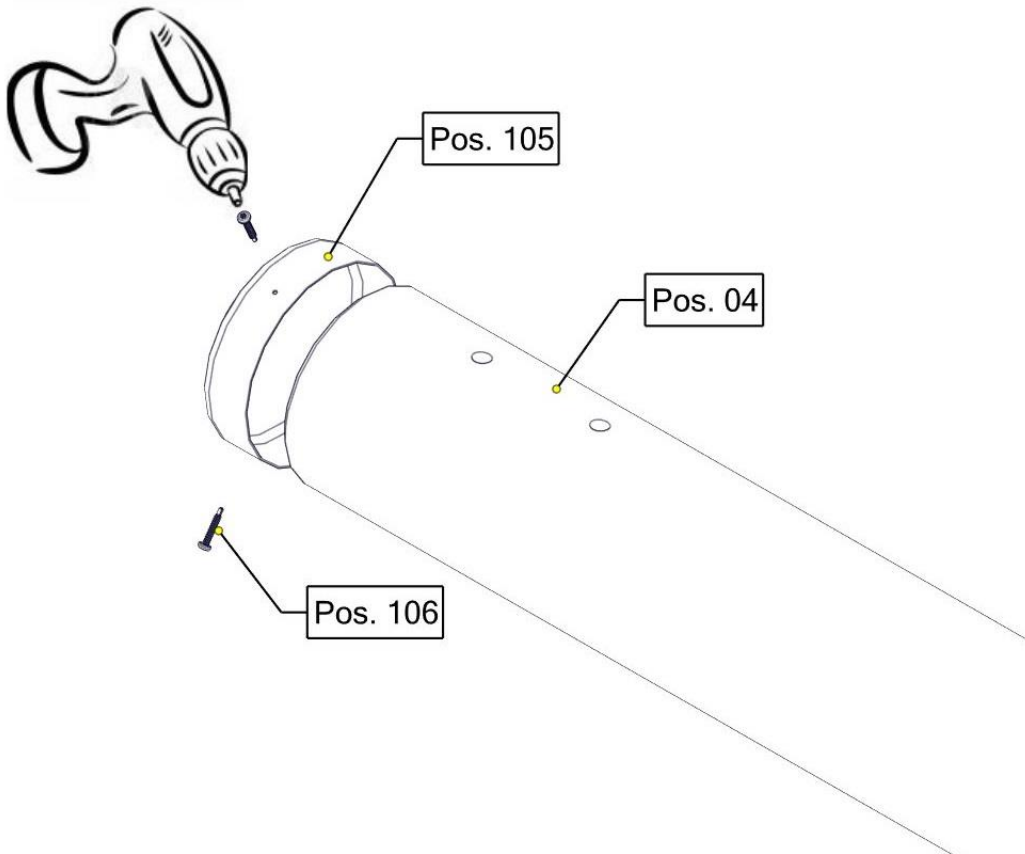
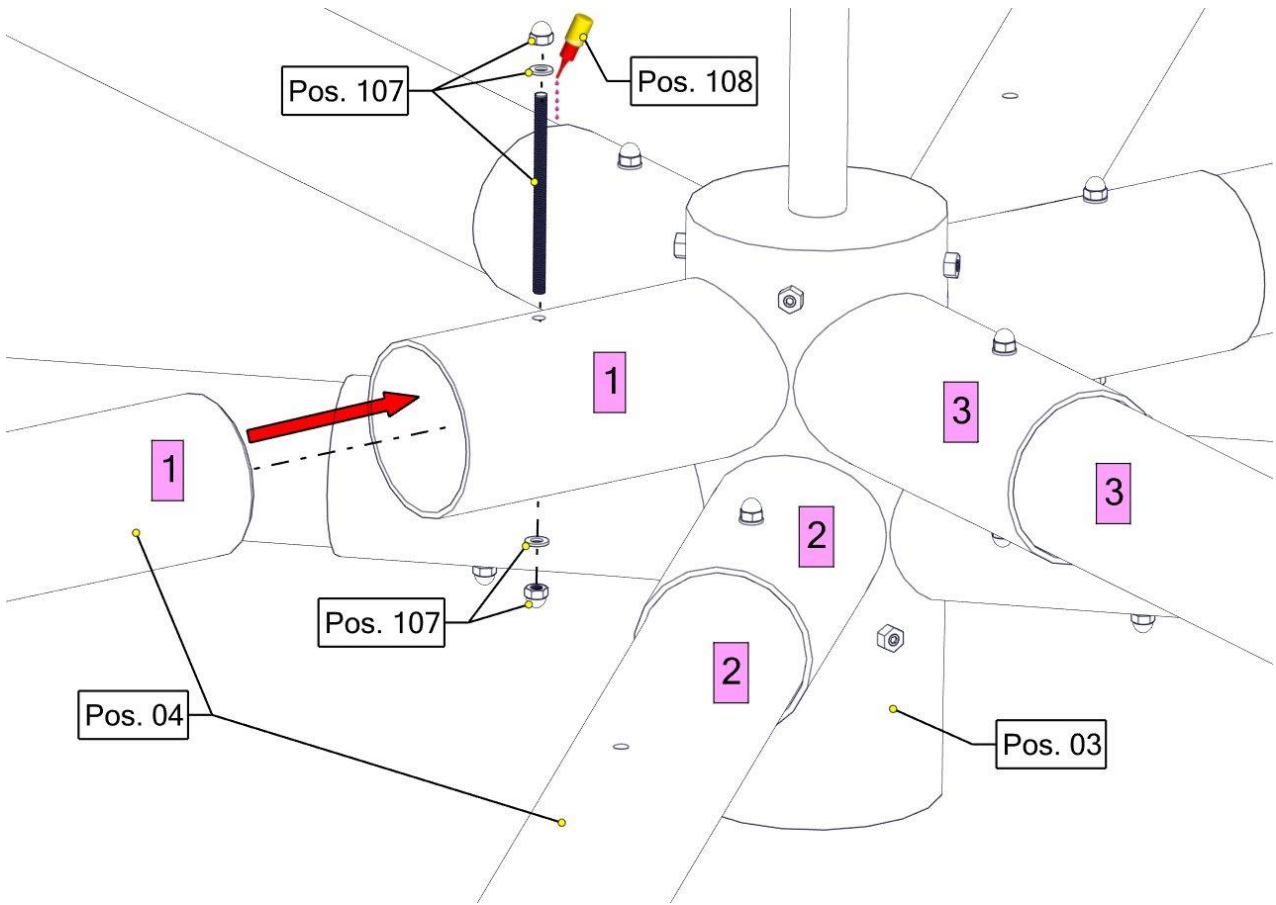


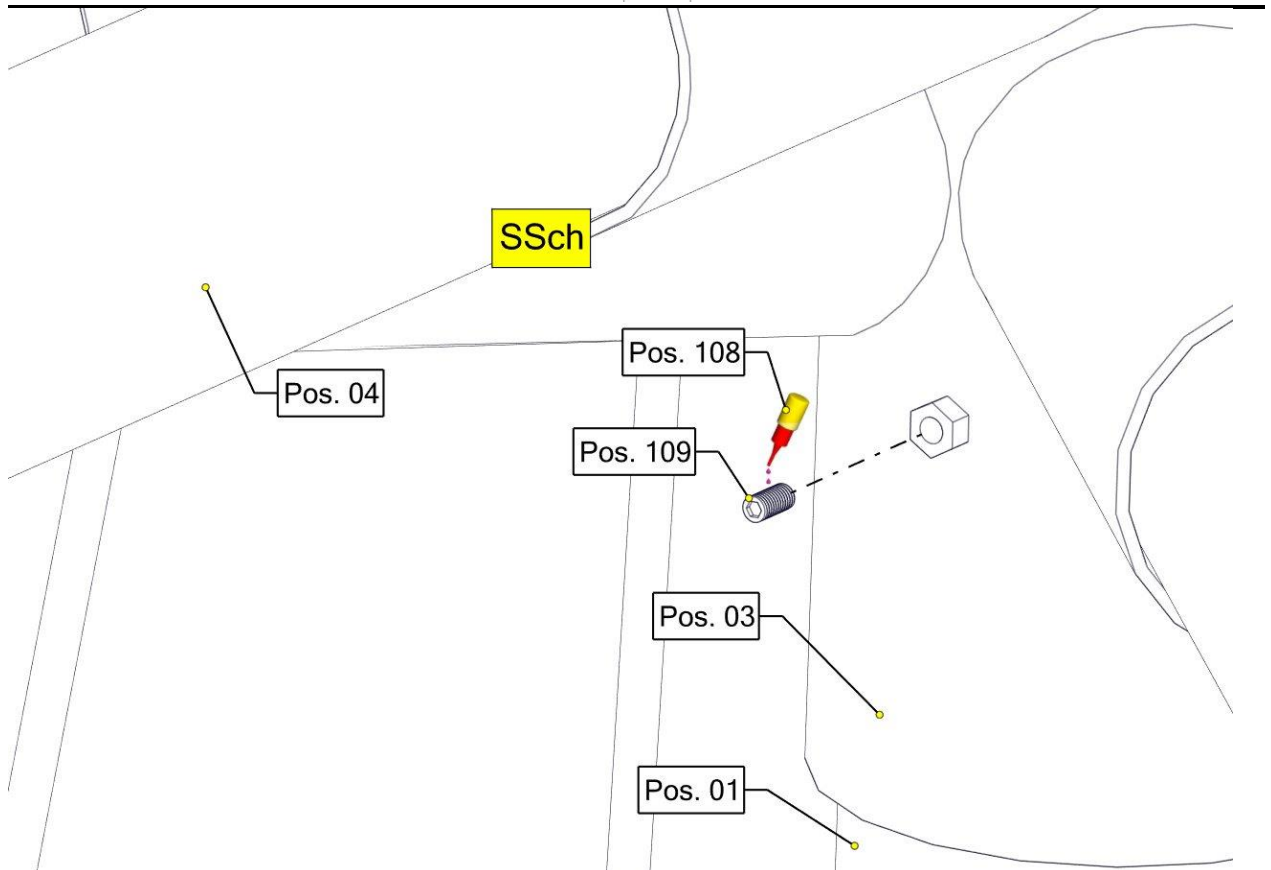
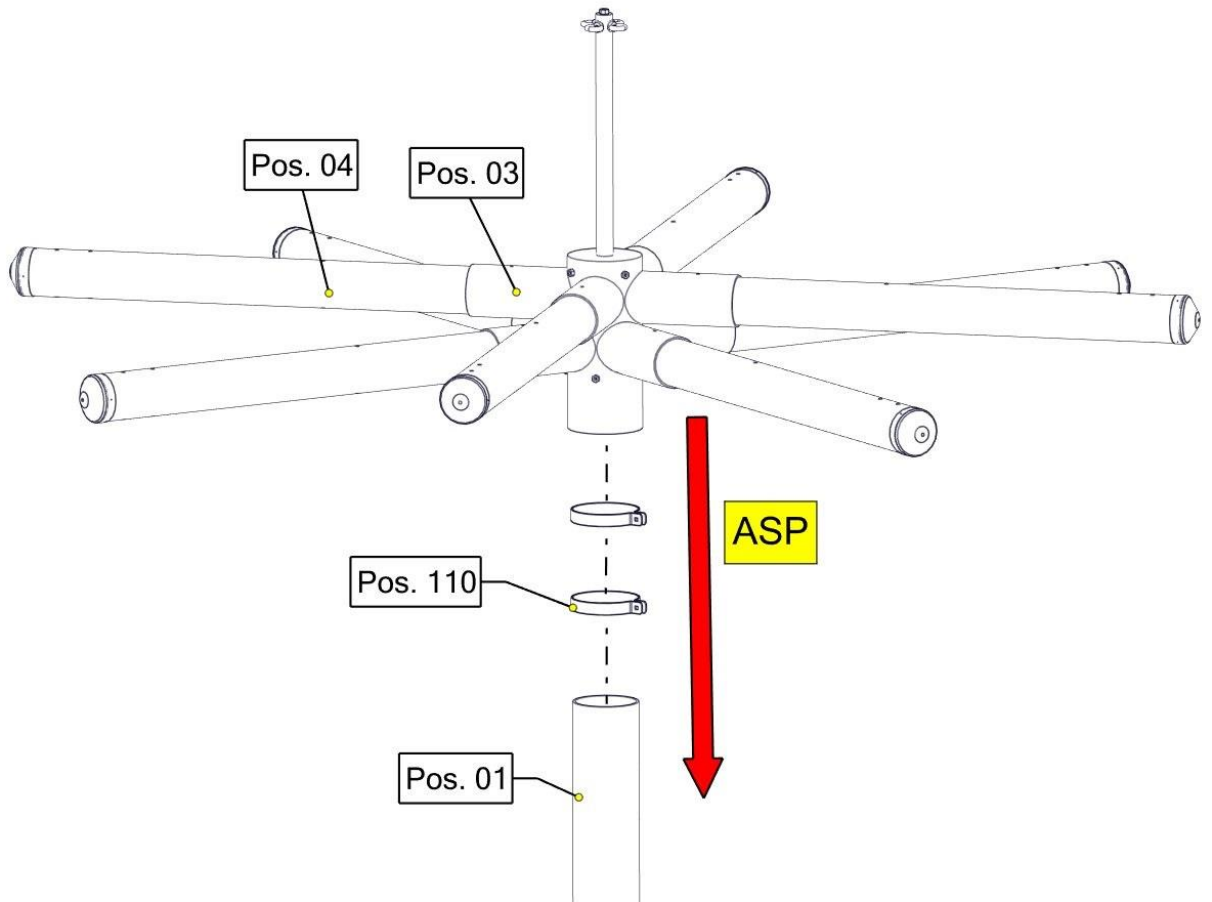


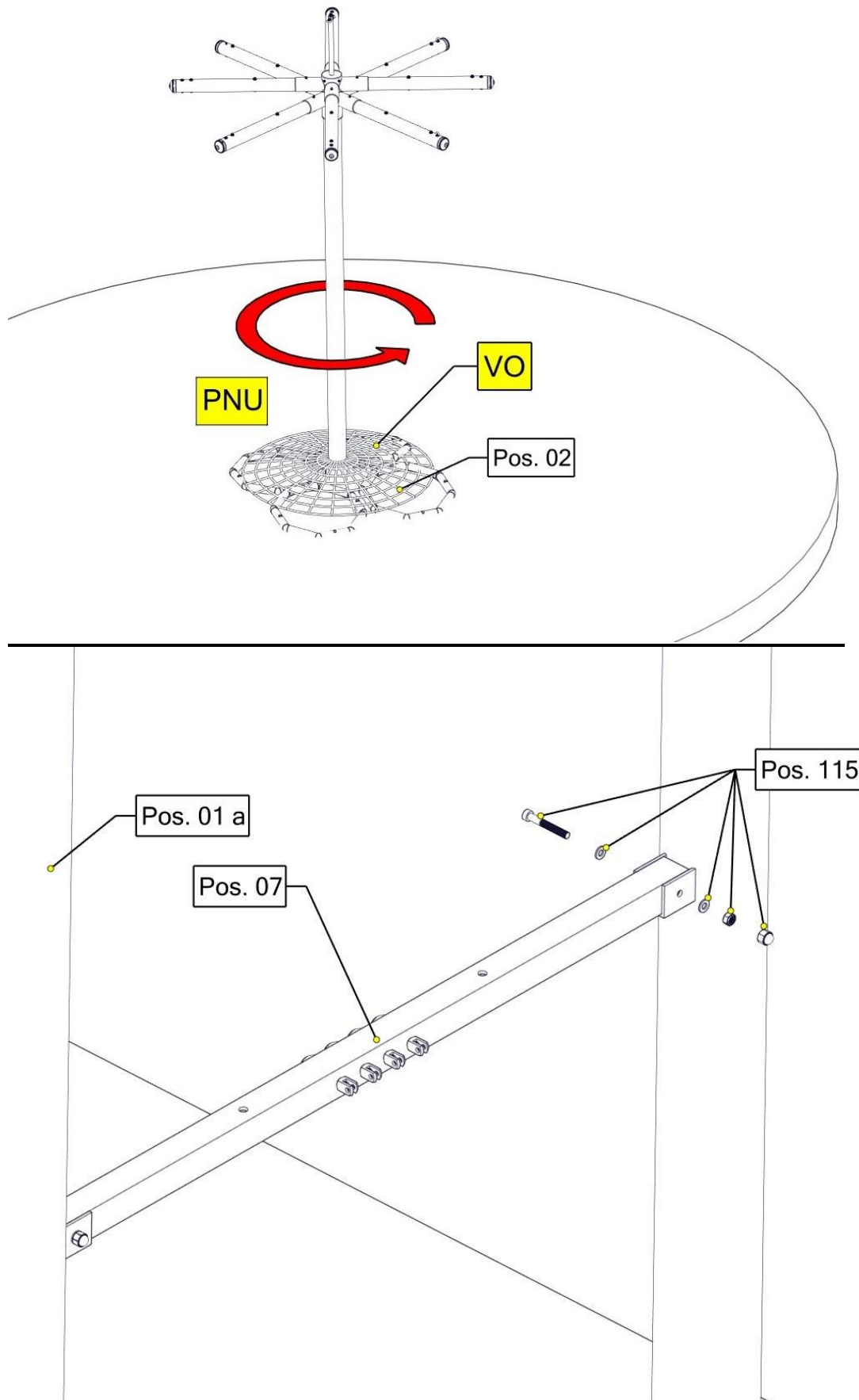


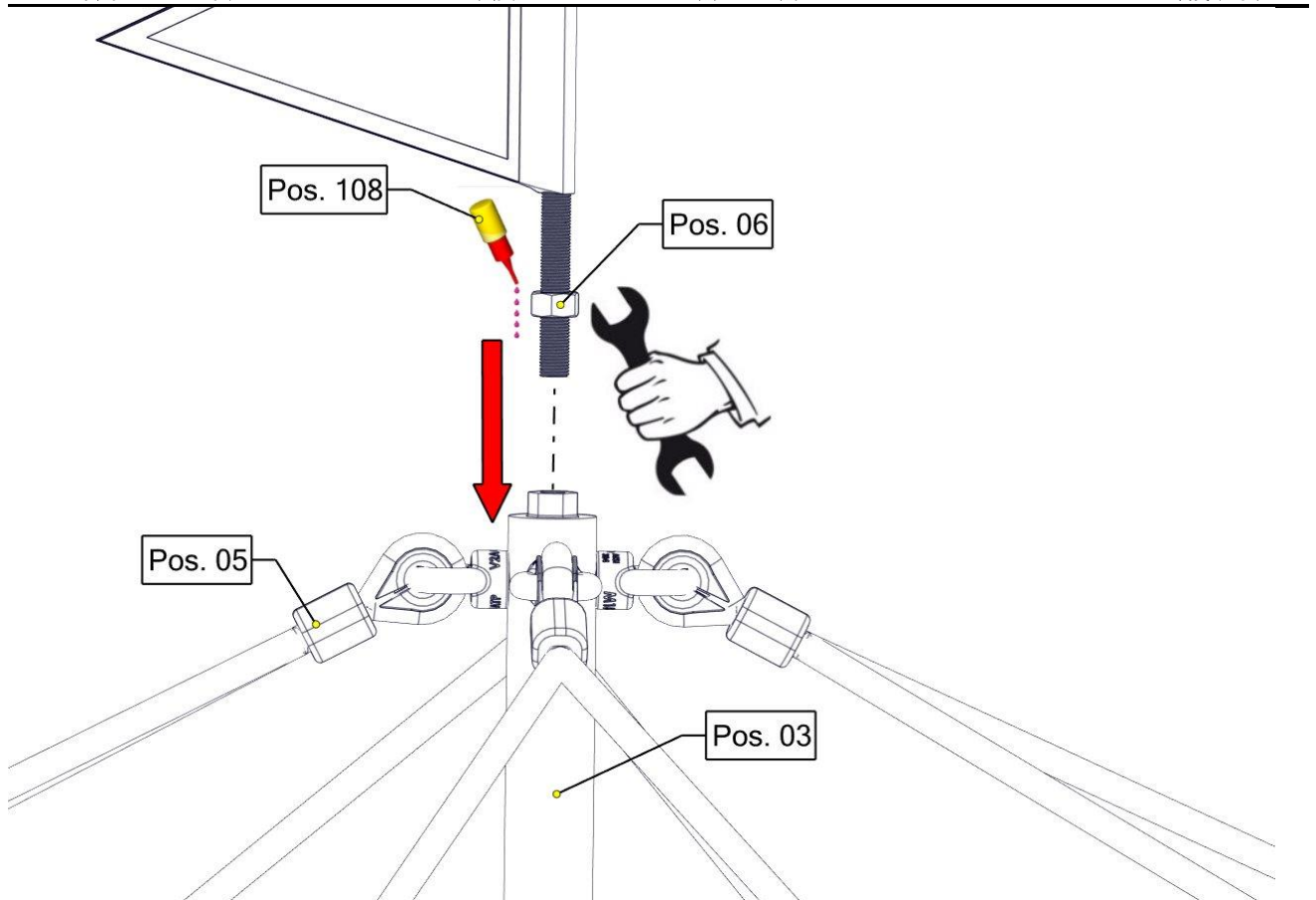
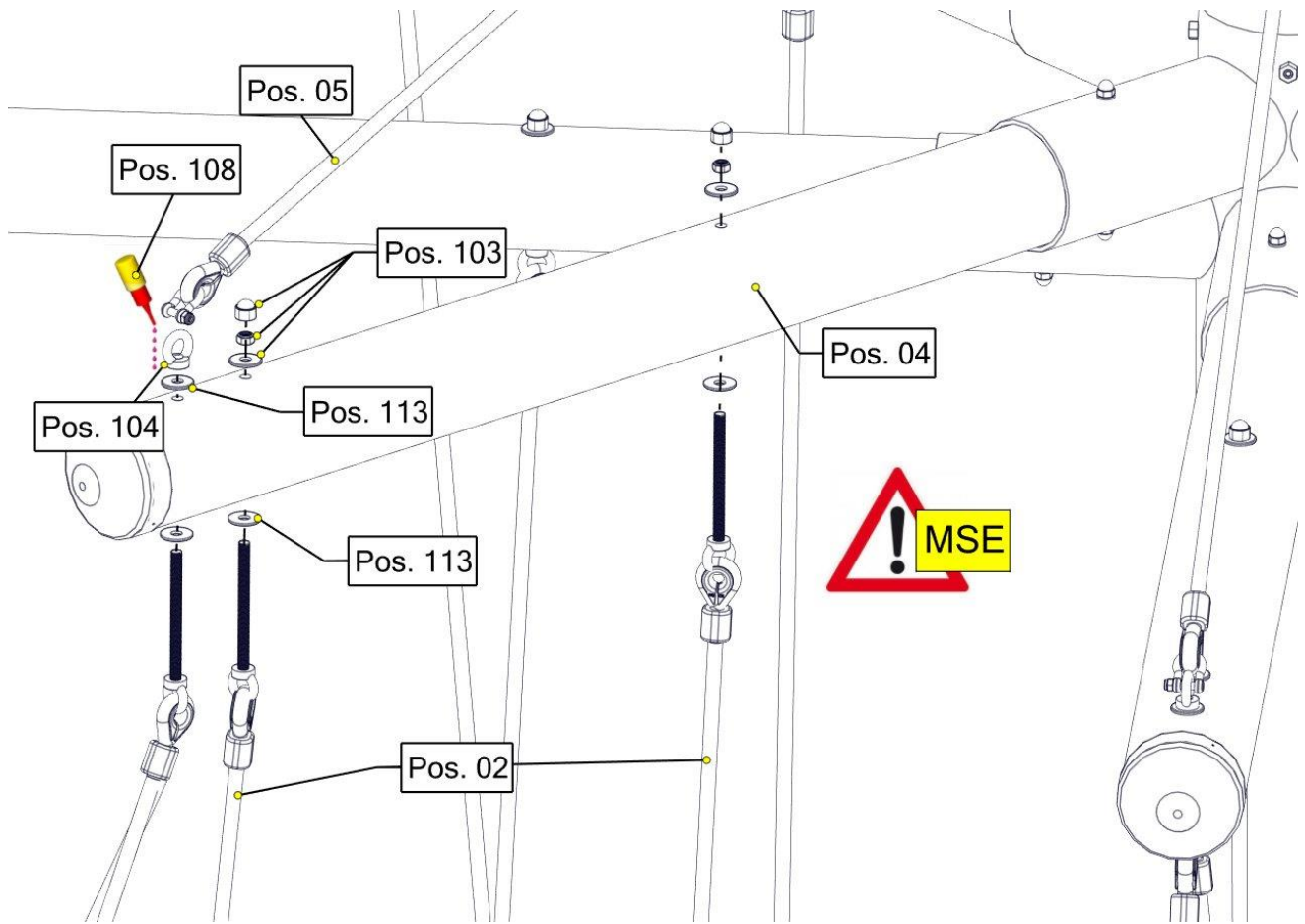


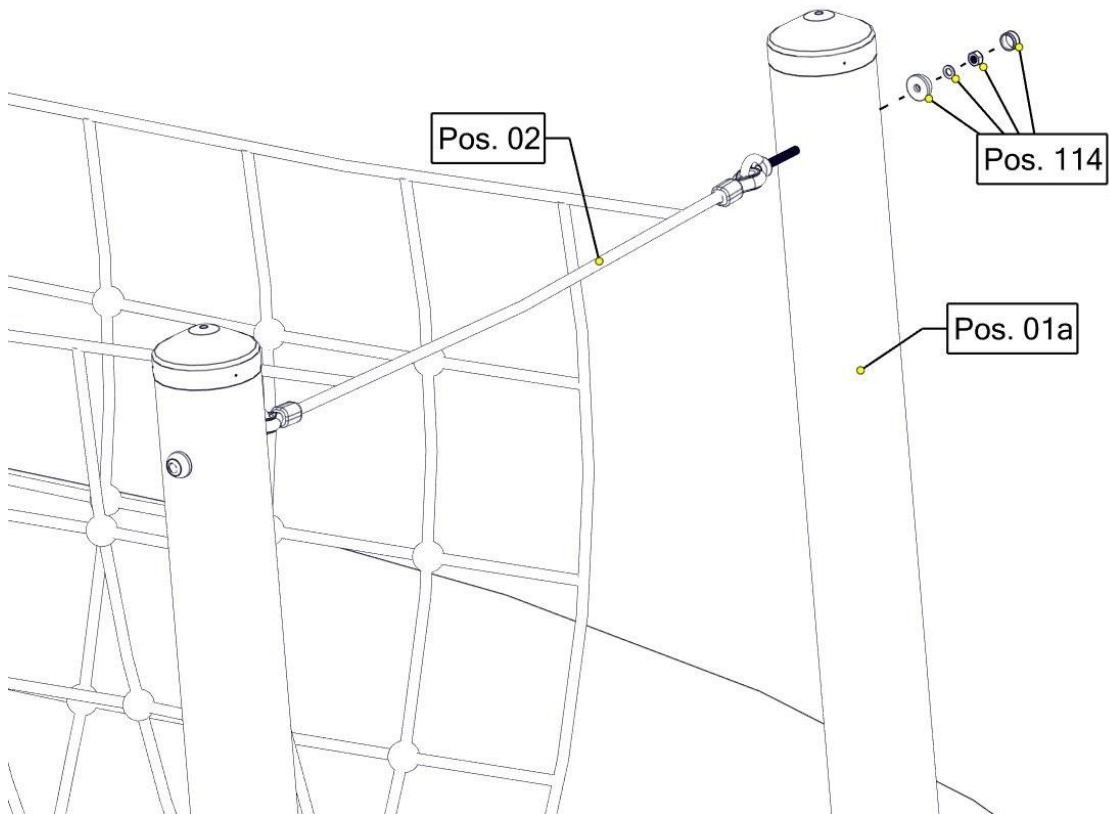
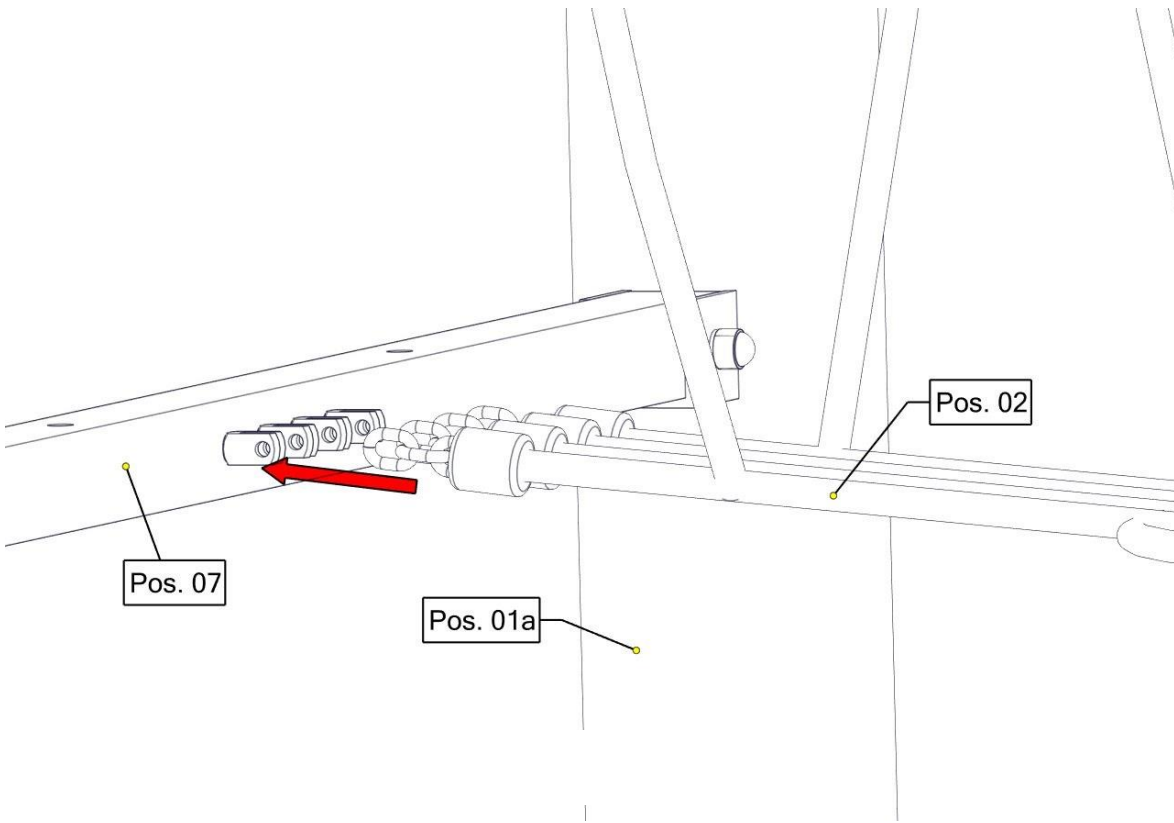


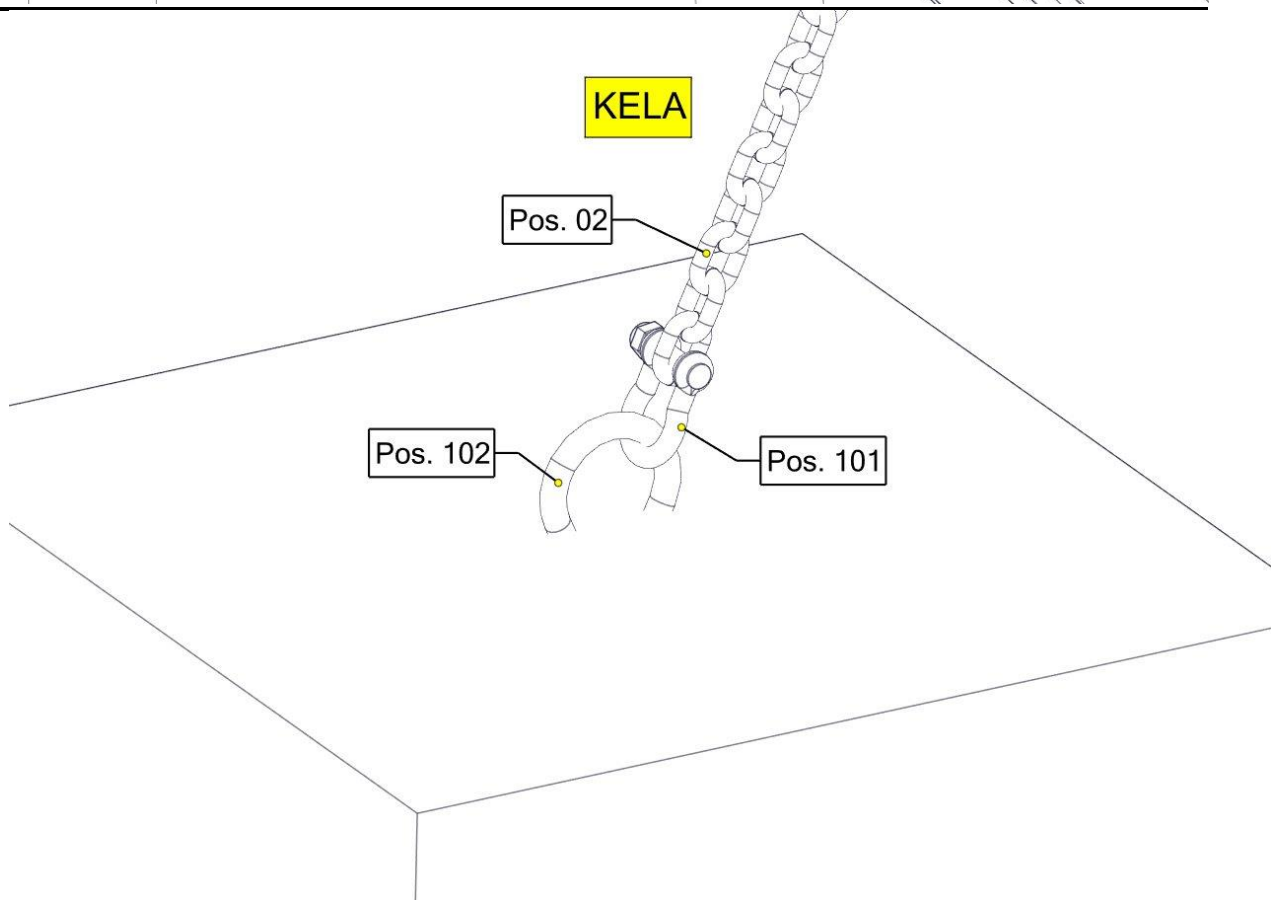
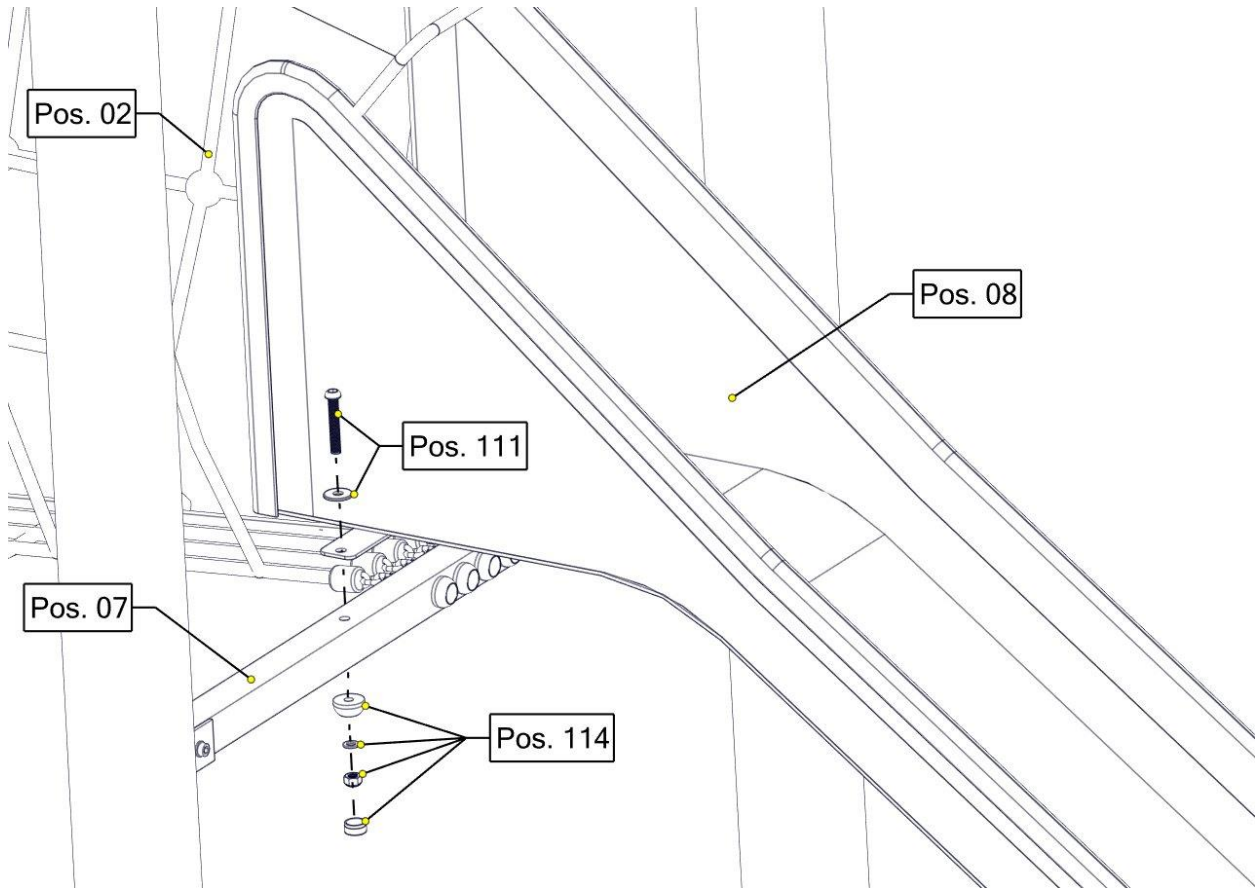


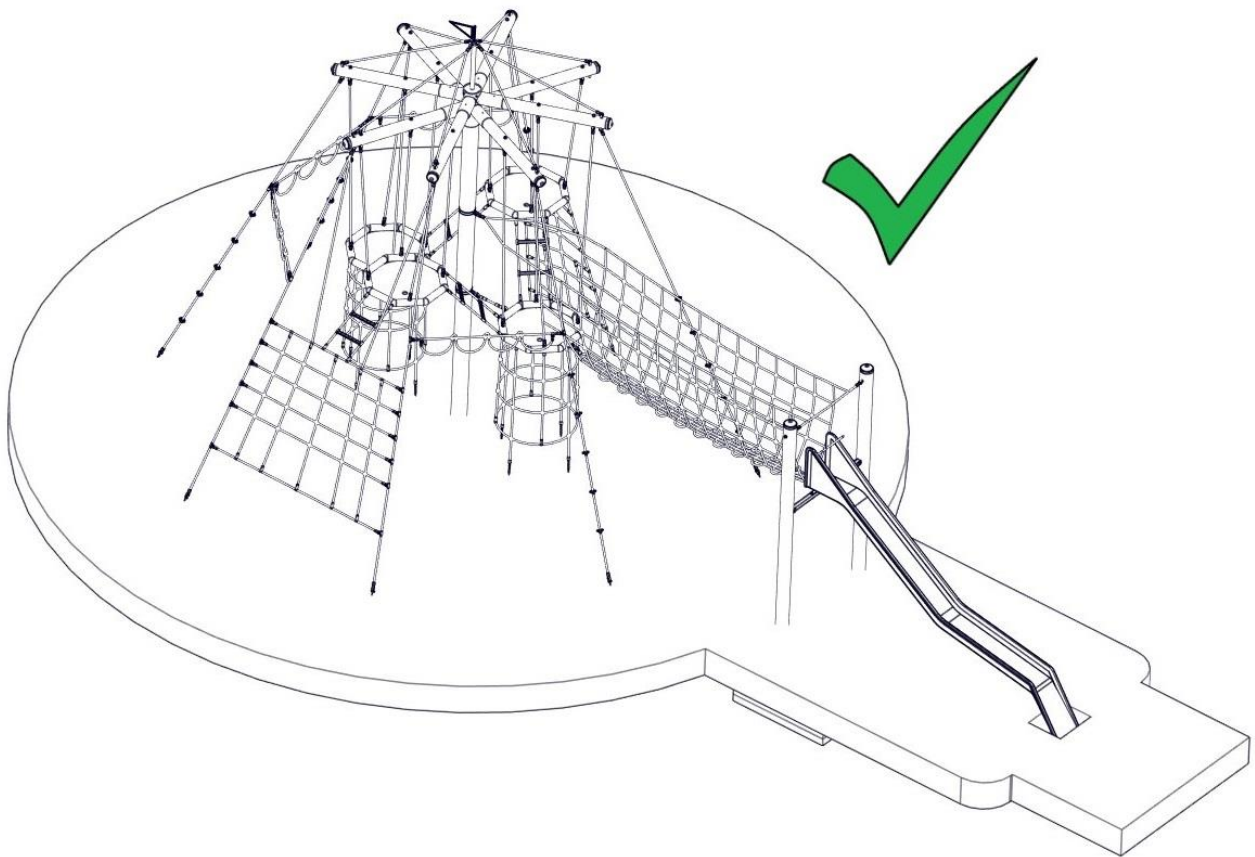












6 Post installation checks



Notice

If the equipment has not been installed safely, you must ensure that the public is prevented from using it.

6.1 Marking filler depth

Labelling the posts to show the depth of material provided as fall protection (i.e. loose filler).

6.2 The equipment has not been installed safely in the following cases:

- Safe equipment installation is not complete.
- The protective surface has not been installed yet.
- Appropriate maintenance work cannot guarantee operational safety.

6.3 Removal of all assembly aids

Please make sure that all assembly aids have been removed from the playing area. The equipment must not be approved for use until this check has been made.

6.4 Information about inspection of the equipment before it is used for the first time

There are no special inspection requirements to be met before the equipment is used for the first time.

6.5 Retighten bolts

After one week of play, please retighten all bolts again. Later upon respective maintenance.

.

B Maintenance instructions **Bird's nest tree with bridge and slide** **Art.-Nr. 4652-2**



Revision history

Revision 0 – 2015-03-04

The first allowed version

Maintenance instruction FH

Revision 3 -2019-10-09

Erdeinschraubanker statt Fundamenteisen PM

All rights reserved

© Copyright 2015 Huck Seiltechnik GmbH

7 Introduction Maintenance

7.1 General informations

This equipment should be installed, inspected, maintained and operated in accordance with EN 1176-7 guidelines.



Notice

Please note: Providing any necessary repairs are carried out, a piece of play equipment that is inspected regularly cannot become so damaged that it is dangerous.

Any spare parts which may be required can be obtained directly from your supplier or from Fa. Huck Seiltechnik GmbH

Adress: Huck Seiltechnik GmbH
Dillerberg 3
D-35614 Asslar/Berghausen
Tel. +49 6443 83 11-0
Fax +49 6443 83 11-79



This equipment should only be assembled, maintained and repaired by **persons with the necessary expertise.**

A copy of the inspection record should be given to the operator, who must confirm receipt.

**This maintenance instruction is based on the standard
“EN 1176-1:2008”.**

8 General maintenance information

8.1 Maintenance intervals

Maintenance intervals are based on average use. Please note that more frequent inspections and/or maintenance are required if the play equipment is subject to intensive use.

8.2 Inspection frequency

The frequency of inspections must be based on actual use. Factors that affect frequency include vandalism, location (e.g. coastal proximity), air pollution and the age of the equipment.

8.3 Maintenance products and procedures

All nuts and bolts are hot-dip galvanised or stainless steel. One of the characteristics of stainless steel is that uncontrolled cold welding may occur when the nuts are tightened. To prevent this, it is necessary to spray the nuts and bolts with Teflon spray or another similar lubricant.

8.4 Spare parts

All spare parts must conform to the manufacturer's specifications.

8.5 Identifying spare parts

All spare parts are listed in the parts list. The parts list follows the installation requirements.

8.6 Special instructions for the disposal of individual equipment components

No special instructions are necessary for the disposal of individual equipment components.

8.7 Special measures during the break-in period

No later than 2 weeks after assembly, all screwed connections should be checked and tightened if necessary.

8.8 Maintenance of protective surfaces

Surfaces providing fall protection must also be maintained regularly. It is particularly important to maintain the correct level of loose surface material and add more if necessary.

8.9 Faults



Faults must be repaired as soon as they are detected. If serious defects that compromise safety cannot be repaired straight away, the public must be prevented from using the equipment with immediate effect.

8.10 Loose screws



Loose screws always cause quality problems and put safety at risk. Therefore, loose screws should always be tightened and checks carried out to ensure that there are no missing screws (e.g. look out for holes you can see through).

8.11 Preventing equipment use

Use of the equipment should be prevented in the event of incomplete installation, disassembly, maintenance, repairs and faults.

8.12 Claims/liability for faults

Steel posts and footings are guaranteed if regular maintenance is carried out and recorded in writing. Our general terms and conditions apply. Maintenance first takes place after 3 years. The steel posts must be excavated as far as the concrete foundations and checked for corrosion.

Zinc paint should be applied to any corroded areas and scratches. Check ropes for abrasion. Retreat any that are very worn.

9 Maintenance timetable

9.1 Special advices

9.1.1 Maintenance interval

We strongly advise you to carry out inspections and maintenance work within the specified periods as use of the equipment, the weather and malicious vandalism cause wear and tear that compromises the safety and function of the equipment.

9.1.2 Maintenance intervals in the event of intensive use

Please note that more frequent inspections and/or maintenance are required if the play equipment is subject to intensive use.

9.1.3 Faults that compromise safety

**Notice**

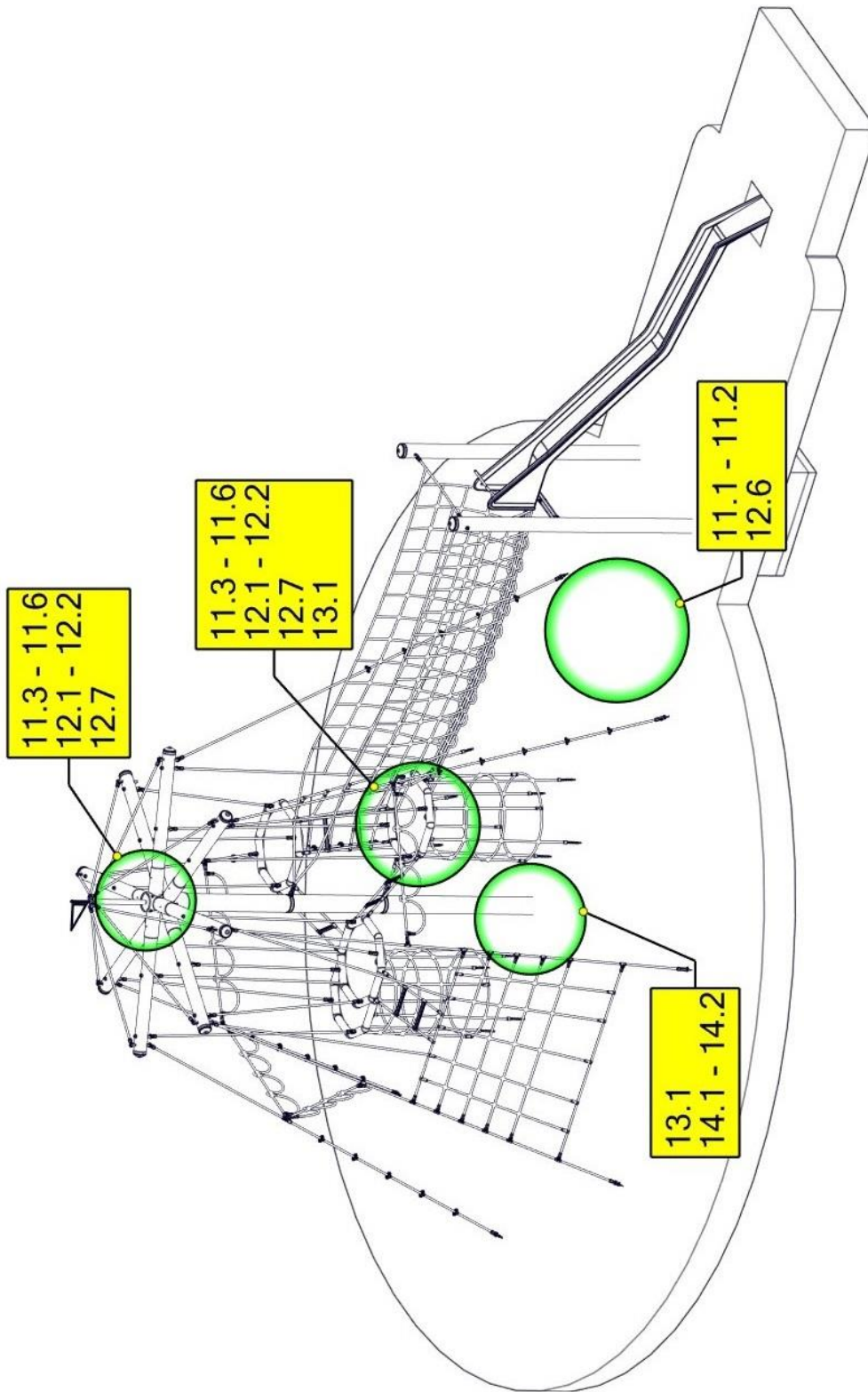
In the event of a fault that compromises safety, quick action must be taken. This may involve repairing it immediately or shutting down and dismantling the equipment.

9.1.4 Faults that compromise function

**Notice**

Faults that compromise function should also be repaired immediately. Such faults lower the value of the equipment to the user and encourage malicious vandalism, which may render the equipment less safe. Any damage should also be repaired immediately.

10 Regular maintenance



Regular maintenance

11 Monthly maintenance

- 11.1 Check the spaces between the equipment and the ground (clearance and height of fall).
- 11.2 Check the ground surface in the area with fall protection for hard objects and loose foundations.
- 11.3 Check all connecting elements and fittings for wear and tear and tighten if necessary. Replace damaged or missing parts.
- 11.4 Check that moving metal parts (joints, springs, etc.) move smoothly and are not worn. Replace if necessary. It is not necessary to lubricate joints as we only use maintenance-free metal roller bearings.
- 11.5 Check all attachments such as chains, ropes, nets, etc. for damage and replace if necessary.
- 11.6 Check rubber parts, sleeves, etc. for wear and tear or damage and replace if necessary.
- 11.7 If necessary, remove excess padding material from the post footings due to danger of rotting.
- 11.8 Check the surface of wooden parts for damage caused by the weather or external influences and mould. Repair or replace if necessary.
- 11.9 Check the surface of plastic and metal parts, e.g. slides, for damage and replace if necessary.

12 Quarterly maintenance

- 12.1 Detailed inspection of the operation and stability of the equipment paying particular attention to any wear and tear.
- 12.2 Tighten all forms of attachment.
- 12.3 Repaint and retreat surfaces.
- 12.4 Maintenance of fall protection surfaces.
- 12.5 Lubrication of joints.
- 12.6 Check the height of the fall and top up with loose filler if necessary. If the posts are labelled, top up as far as the mark.
- 12.7 Retighten all bolts


13 Half yearly maintenance

- 13.1 **Stability (check posts, bracing, foundations, etc.).** Ascertaining whether there are any changes in equipment safety as a result of repairs that have been carried out or components that have been added or replaced.

	<h1>Annual Maintenance</h1>
---	-----------------------------

14 Annual maintenance

- 14.1 **Ascertaining that the equipment, foundations and surfaces are safe for operation.**
- 14.2 **In particular, the equipment should be checked for decay and corrosion. It may be necessary to dig out or excavate certain components in order to do so. Zinc paint should be applied to corroded areas and scratches.**

	<p>The equipment must be inspected by someone with the necessary expertise in strict compliance with the instructions issued by Huck Seiltechnik GmbH.</p> <p>A copy of the inspection record should be given to the operator, who must confirm receipt.</p>
---	--

15 Maintenance printout

Name of item: Bird's nest tree with bridge and slide / Art.-Nr. 4652-2 _____

Location: _____

Customer or operator: _____

(Town, Town council, Kindergarten)

Date of inspection	Inspector	O.K.	Accessible	Barriered	Defects	Repaired by	Date

**Please copy and return once a year after main inspection has been carried out to the manufacturer by Telefax +49 6443 83 11-79
Place the confirmation form in your existing play equipment files.**

16 Hand over document



After the installation of the equipment pass the installation and maintenance documents to the operator. The operator has to receive the hand over documents. The complete filled and signed hand over document should be sent to the supplier Huck Seiltechnik GmbH per Telefax +49 6443 8311-79

Art.-No.: 4652-2

Type of item: Bird's nest tree with bridge and slide

Serial number: _____

Customer or operator (Town, Town council, Kindergarten, etc.):

Competent person in charge:

Installation company (address):

Responsible assistant (assembler):

Received the complete assembly instructions, maintenance instructions and maintenance printout,

(Signature of operator)
(Stamp)

(Signature of installation company)

Date: _____