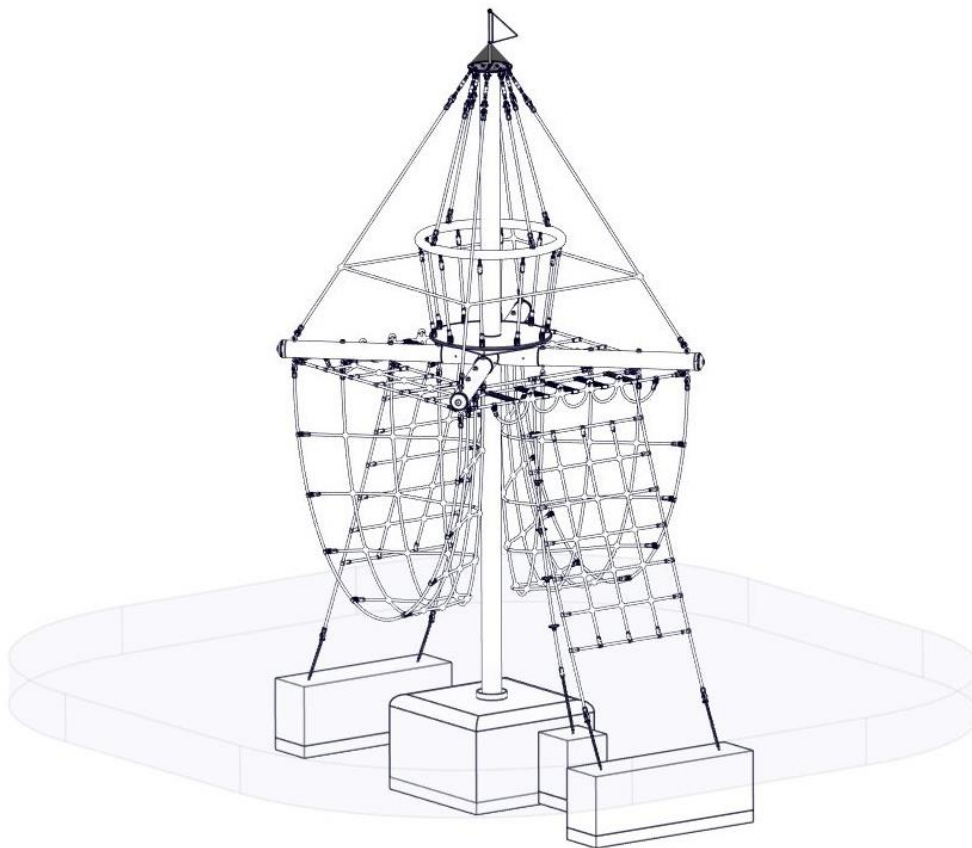


A Assembly Instructions **“Störtebeker” pirate tower Art.-No. 4687-20**

Attention! Only use the assembly instructions included in the scope of delivery for the assembly, installation and maintenance of the respective equipment!



Operator: _____

Location: _____

Revision 0– 2010-09-09

Erste freigegebene Version

Montageanleitung

Revision 04– 2021-01-16

neue Form der Anleitung FH

Leimbinder

Alle Rechte vorbehalten

© Copyright 2005 Huck Seiltechnik GmbH

**Please note the explanations and abbreviations and notes.
For any queries please contact the manufacturer**

Contents

A	Assembly Instructions “Störtebeker” pirate tower Art.-No. 4687-20.....	1
1	Introduction Assembling.....	4
2	Datasheet: “Störtebeker” pirate tower Art.-No. 4687-20	5
3	Delivery contents (parts list with part numbers)	7
4	Assembly instructions.....	16
5	Post installation checks	30
B	Maintenance instructions “Störtebeker” pirate tower Art.-No.4687-20.....	31
6	Introduction Maintenance.....	33
7	General maintenance information	34
8	Maintenance timetable.....	36
9	Regular maintenance.....	37
10	Monthly maintenance	38
11	Quarterly maintenance	38
12	Half yearly maintenance	39
13	Annual maintenance.....	39
14	Maintenance printout.....	41
15	Hand over document	43

List of Tables

Table 3-1: Delivery contents, in words	8
Table 3-2: Delivery contents, in symbols.....	10

1 Introduction Assembling

1.1 General information

This equipment should be installed, inspected, maintained and operated in accordance with EN1176-7 guidelines.

Before installation work commences, please check that you have all of the equipment and fixation components in the parts list provided (see Tables 3-1 and 3-2).

Please consider that the installation has to be carried out only on even terrain (max.slope up to 3%).

Any spare parts that may be required can be obtained directly from your supplier or from Fa. Huck Seiltechnik GmbH

Adress: Huck Seiltechnik GmbH
Dillerberg 3
D-35614 Asslar/Berghausen
Tel. +49 6443 83 11-0
Fax +49 6443 83 11-79

Please do not hesitate to call your supplier if you have any problems during installation or with any other questions. You can reach us at the following **Tel. +49 6443 83 11-99.**



Following installation, complete assembly instructions, maintenance instructions and a maintenance record must be sent to the operator who must confirm receipt in writing. See the last page of this document.



All nuts and bolts are hot-dip galvanised or stainless steel. One of the characteristics of stainless steel is that uncontrolled cold welding may occur when the nuts are tightened. To prevent this, it is necessary to spray the nuts and bolts with Teflon spray or another similar lubricant.

We hereby confirm that this play equipment has been tested and certified in accordance with the play equipment standard EN 1176-1.

2 Datasheet: “Störtebeker” pirate tower Art.-No. 4687-20

- Component zone: 3.75 m x 2.55 m
 Impact area: 7.00 m x 7.00 m
 height of fall: 5.50 m
 Free height of fall: 2.66
 Fall protection area: 44.4 m²

- Required safety surface:

Surface material	Description mm	Minimum thickness of layer mm	Maximum height of fall mm
Topsoil grass			<= 1000
Chipped bark	20 – 80 grain size	300 400	<= 2000 <= 3000
Wood chippings	5 – 30 grain size	300 400	<= 2000 <= 3000
Sand	0,2 – 2 grain size	300 400	<= 2000 <= 3000
Gravel	2 – 8 grain size	300 400	<= 2000 <= 3000
Other ground materials	As recommended by manufacturer		Critical fall height as checked

Name and overall dimension of the largest component:

steel post (1 piece) length 6000 mm, Ø 159 mm

Name and weight of the heaviest component:

steel post (1 piece) ~160 Kg

Intended age group: 6 years



Please note that this equipment is set in concrete.

Concrete: C30/37

Required concrete: 1,7 m³

Foundations/area to be excavated:

excavated (All foundations must be brought to equal level!)

Foundation size

1x 1200 x 1200 x 700 mm

1x 1500 x 400 x 500 mm

1x 1600 x 500 x 500 mm

1x 400 x 400 x 500 mm

Excavation size

1x 1200 x 1200 x 1100 mm (including 10 cm drainage)

1x 1500 x 400 x 1000 mm (including 10 cm drainage)

1x 1600 x 400 x 1000 mm (including 10 cm drainage)

1x 400 x 400 x 1000 mm (including 10 cm drainage)



Foundation edges must be rounded off (min.R = 100 mm)!

Sizes of foundations are designed for soils class "4-5" (natural ground).

Soil class 3: Non-cohesive to low-cohesive plasticity, sand, gravel and sand-gravel-mixtures, with very low portion of stones portion of stones (portion > 30% with bigger dia-meter of 63 mm grain size)

Soil class 4: soft to medium plasticity, interleave bound, with minor portion of stone (portion < 30% with bigger diameter of 63 mm grain size)

Soil class 5: **Soil class 5:** ground with soil class 3 and 4 with big portion of stones (portion > 30% with bigger diameter of 63 mm grain size)

IN CASE OF SANDY AND SOFT SOILS, THE SURFACE DIMENSIONS OF FOUNDATIONS HAVE TO BE ENLARGED FOR ABOUT 50%!.

Assembly time, once foundations complete:

After completion of concrete foundations approx. 7 hours

Required assistance: 3 persons.

Required tools: wheel excavator or similar with a lifting height of approx. 4 m height ladder approx. 4 m long, spirit level, various wrenches and screwdriver.

Any spare parts which may be required can be obtained directly from your supplier or from Fa.Huck Seiltechnik GmbH

Adress: Huck Seiltechnik GmbH
Dillerberg 3
D-35614 Asslar/Berghausen
Tel. +49 6443 8311-0
Fax +49 6443 8311-79

We hereby confirm that this item of play equipment has been tested and certified in accordance with the play equipment standard EN 1176.

Drawings / Views




All optical drawings are showing only the measurements/dimensions and are no mandatory technical views of the complete item.

We reserve the right to change technical details of our articles which are serving for the further development of our articles and are reasonable for the customer.

Measurement tolerances

Because of the properties and characteristics of the components, minor measurement tolerances compared to the indication on the sketches are possible.

This concerns all shown measurements except the foundation measurements resp. measurements below upper edge ground level/play area.

	<u>Explanations of the abbreviations and symbols:</u>
AB	The legally prescribed setting periods must be observed!
AR 	Note the alignment of the glue truss and the position of the screen printing plate
Bor	Note drilling direction
D	Concrete C30/37 (for foundations) Concrete requirement: approx. 1.7 m ³
Dt.	Detail display
F	Fall protection
FDA	Note the foundation plan
G	Drainage layer
H	∅ ... (drill diameter)
KNR	pipe on site - (to be provided by customer !!!)
LRB	Gap (between empty pipe and steel mast) mi Fill liquid concrete!
mo	assemble
MKe	Insert the steel mast into the sewer pipe and align it vertically.
M.Lot	It is essential to set up the post vertically!
O.K	Upper edge of the playing level
PS	Required space including security area ~ 44.4 m ²
Snsa 	Do not tighten the tension ropes too tight.
vb	Pre-drill
1.) vb H	First pre-drill with ∅ 3 mm
2.) vb H	Then drill with ∅ 8 mm
VO	pre-assembled
	<u>Concrete top edges rounded! Foundation dimensions apply to normal Soil classes 4-5 (natural soil). Soil class 4: Light to medium plasticity, interlinked, with a low proportion of stone (proportion <30% over a diameter of 63 mm grain size) Soil class 5: Soils of soil class 3 and 4 with a large proportion of stones (proportion > 30% over a diameter of 63 mm grain size). For safety in sandy, soft soils, the foundations should be at least 50% larger in the area.</u>

see drawings

3 Delivery contents (parts list with part numbers)

3.1. In words

Table 3-1: Delivery contents, in words

Pos.	Quantity	Element / Description	Size	O.K.	Missing
1	1	Steel mast with 4 pipe sockets and L-profile support	Ø 159 mm, 6.0 m lg		
2	4	wooden posts	Ø 140 mm - 1,65 m lg		
3	1	nets above (pre-assembled)			
4	1	nets below (pre-assembled)			
5	1	Tension ropes with circulating rope (pre-assembled)			
6	1	head plate	Ø 360 mm x 12 mm		
100	4	Threaded bolt with cap nut and washer	M10 x 175 mm galvanized		
101	8	Lock screw	M8 x 40 stainless steel		
102	8	washer	Ø 8,4 stainless steel DIN 9021		
103	8	Head nut	M8 stainless steel		
104	4	Hexagon screw	M12 x 30 stainless steel		
105	12	Tooth washer	f. M12 galvanized		
106	8	Hexagon screw	M12 x 25 stainless steel		
108	6	Bearing adapter 4 pieces (accessories), 2 pieces pre-assembled	M12 stainless steel		
110	16	washer	Ø 13,0 galv. DIN 9021		
111	12	Stop nut	M12 stainless steel		
112	12	washer u. black cover cap	f. M12		
113	9	Threaded rod	f. 10er VA Skackle		
114	2	Hexagon nut	M16 galvanized		
115	1	Threaded rod	M16 x 460 galv.		
116	1	Mast hood, red	Ø 375 mm x 140 high		
117	1	washer	Ø 17,0 galv. DIN 9021		
118	1	Banner, blue	260 mm high		

119	1	Stop nut	M16 stainless steel DIN 985		
120	1	Black cover cap	f. M16		
122	4	Cover cap, red	Ø 140 mm		
123	12	Pan head screw	5 x 30 stainless steel		
124	2	Loctite	3 ml		
125	2	Threaded rod	M12 x 250 lg. galvanized		
126	4	Hexagon nut	M12 DIN 934 galvanized		
127	5	Stainless steel adapter	for chain 6 mm		
128	5	Fix - anchor	M12		
200	1	pipe (by the customer)	~ Ø 300 x 750 lg		

3.2. In symbols

Table 3-2: Delivery contents, in symbols

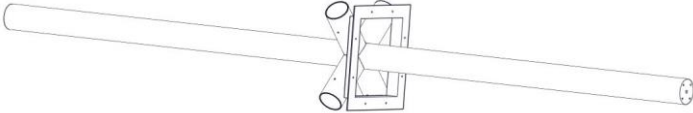
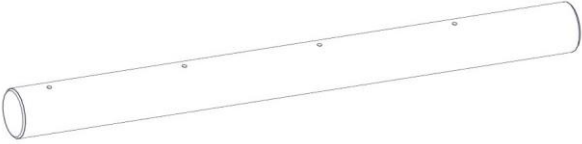
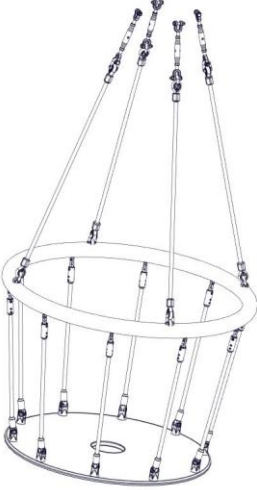
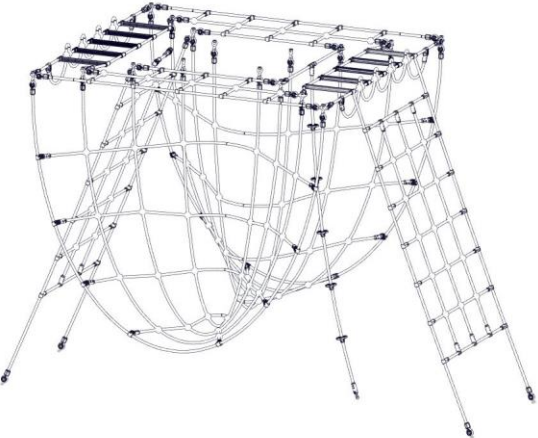
Pos.	Quantity	Symbol
1	1	 Ø 159 mm – 6000 mm lg.
2	4	 wooden posts Ø 140 mm – 1650 mm lg.
3	1	
4	1	

Table 3-2: Delivery contents, in symbols


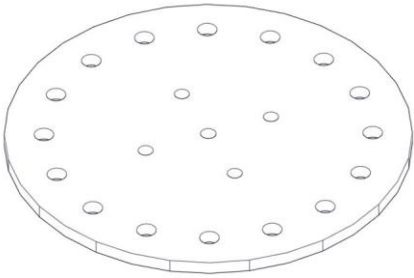

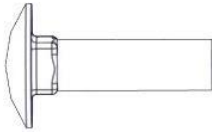

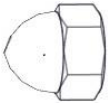
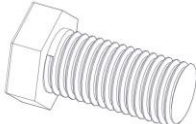
Pos.	Quantity	Symbol
5	1	
6	1	 Ø 360 mm
100	4	 M10 x 175 mm galvanized
101	8	 8 x 40 mm stainless steel
102	8	 Ø 8,4, DIN 9021
103	8	 M8, stainless steel
104	4	 M12 x 30 mm, stainless steel

Table 3-2: Delivery contents, in symbols

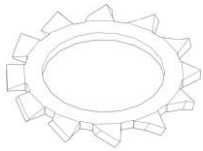
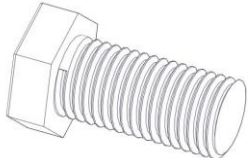
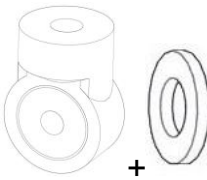


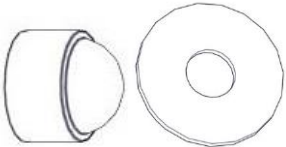

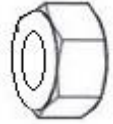
Pos.	Quantity	Symbol
105	12	 f. M12
106	8	 M12 x 25 m, galvanized
108	6	 + M12 stainless steel 4 pieces (accessories), 2 pieces pre-assembled
110	16	 f. M12, DIN 9021
111	12	 M12, stainless steel
112	12	 black cover cap & washer
113	9	 f. M10
114	2	 M16, galvanized

Table 3-2: Delivery contents, in symbols


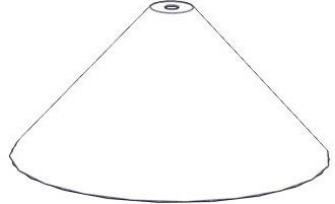

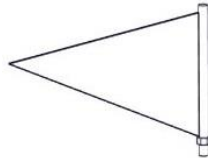

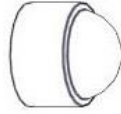


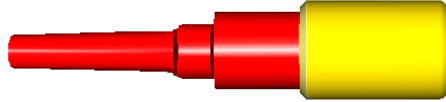


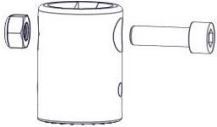
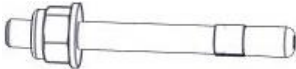
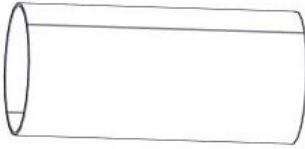
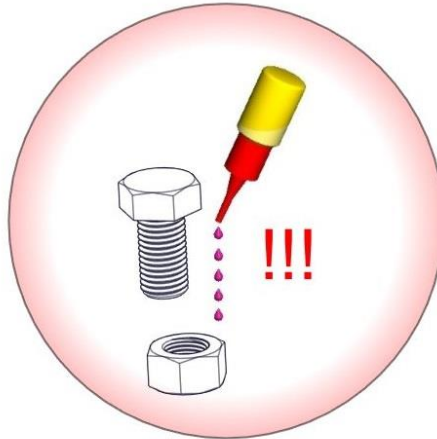
Pos.	Quantity	Symbol
115	1	 M16 x 460 mm, galvanized
116	1	 Ø 375 mm x 140 mm high
117	1	 f. M16 (Ø 17), DIN 9021
118	1	 banner
119	1	 M16, DIN 985, stainless steel
120	1	 f. M16
122	4	 Ø 140 mm
123	12	 5 x 30 mm
124	2	

Table 3-2: Delivery contents, in symbols

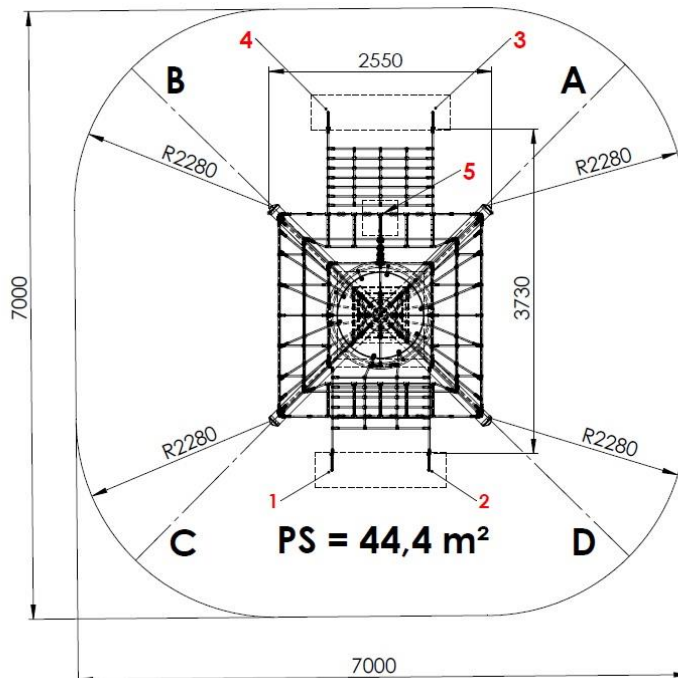
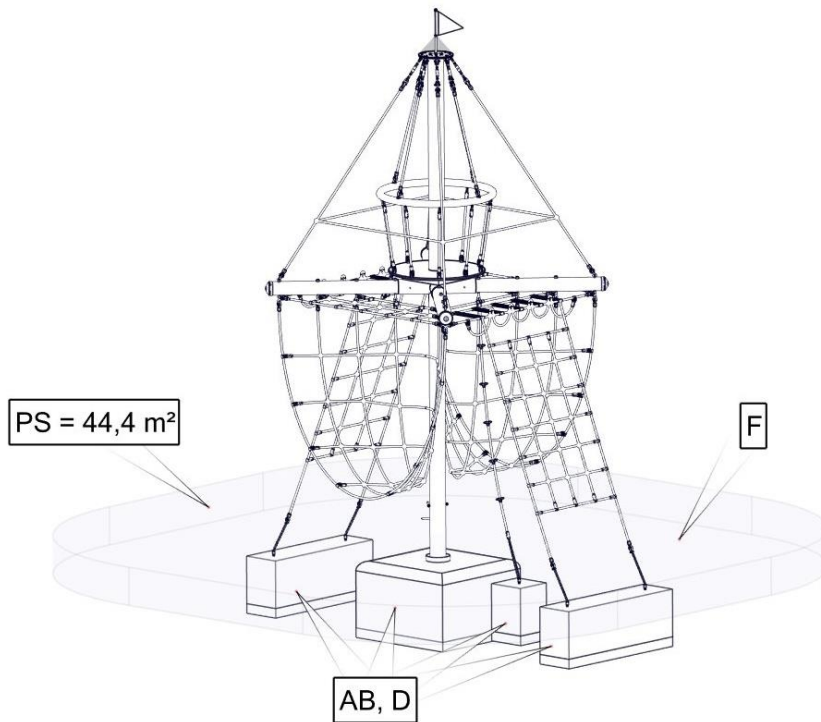
Pos.	Quantity	Symbol
		Loctite (screw locking)
125	2	 M12 x 250 mm, galvanized
126	4	 M12, DIN 985, stainless steel
127	5	 M12, stainless steel
128	5	 M12
200	1	 ~ Ø 300 x 750 lg (by the customer)

Screw locking device!



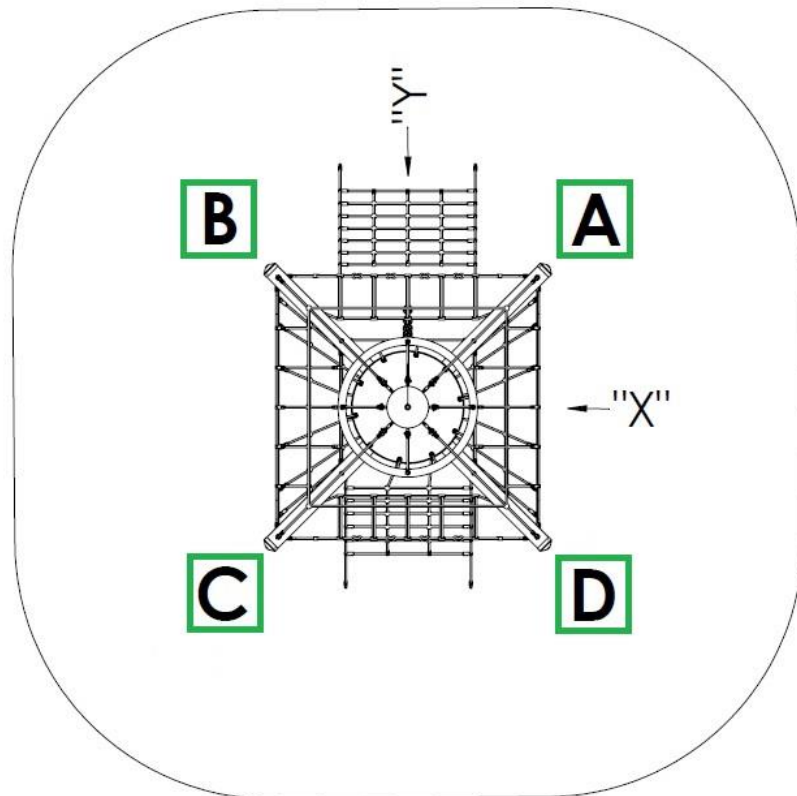
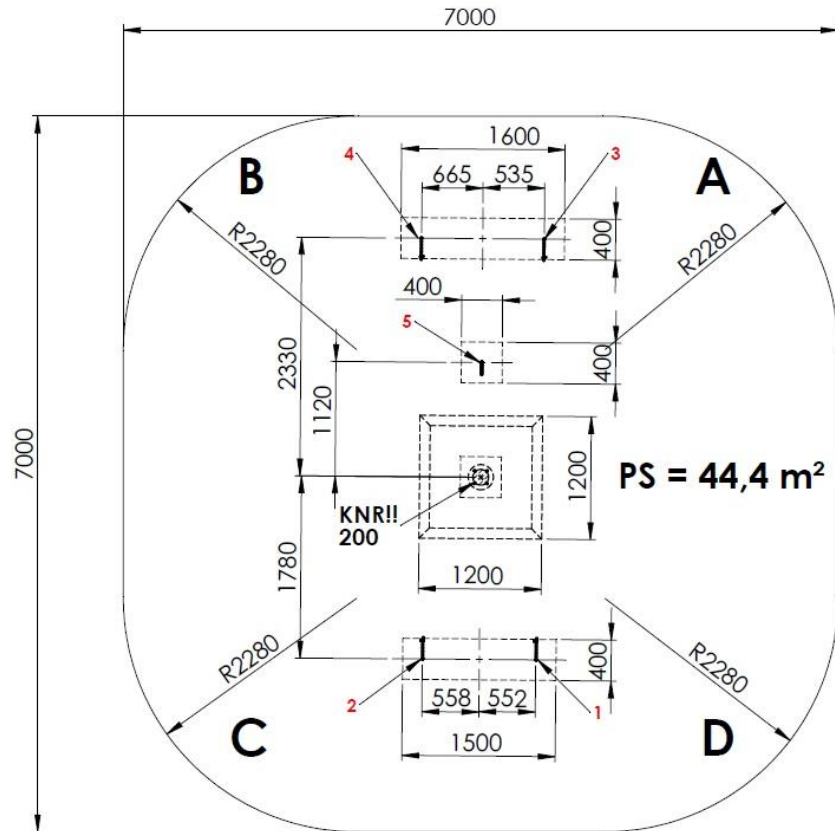
**Glue all screws, nuts and sleeves with loctite.
(not less than 5 drops!)
(except for lock nut)**

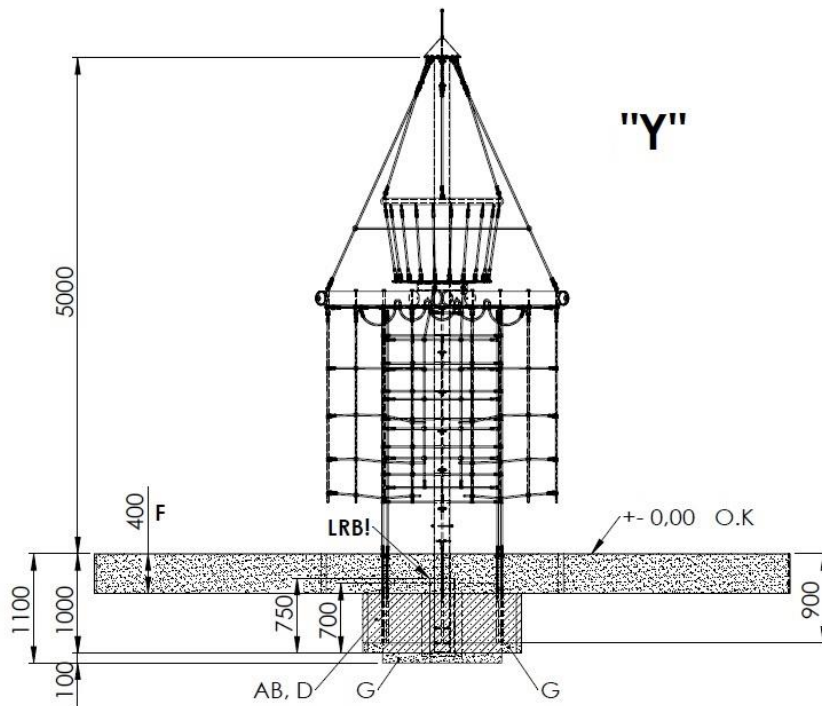
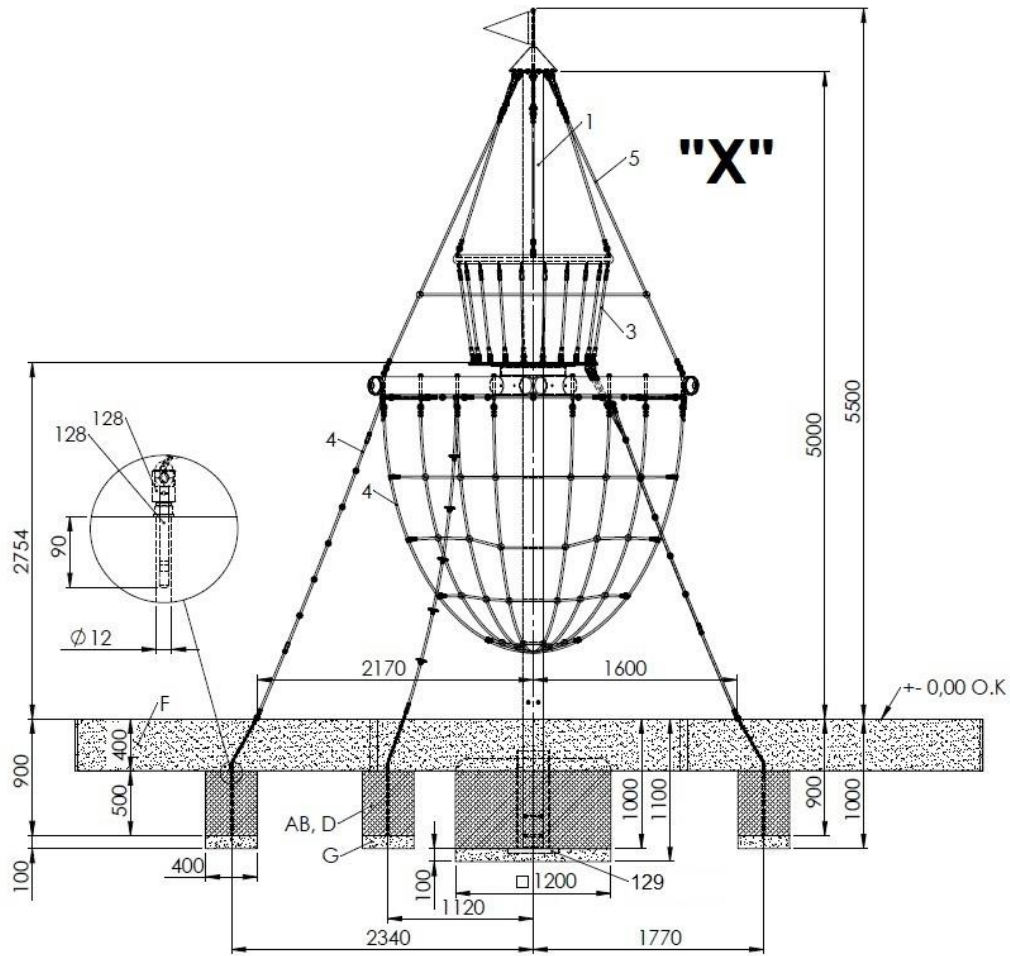
4 Assembly instruction

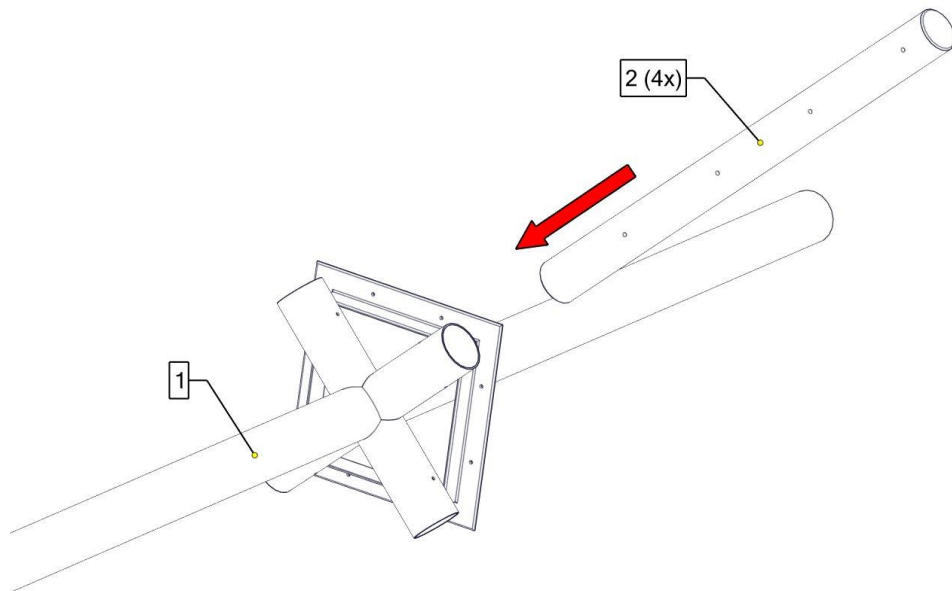
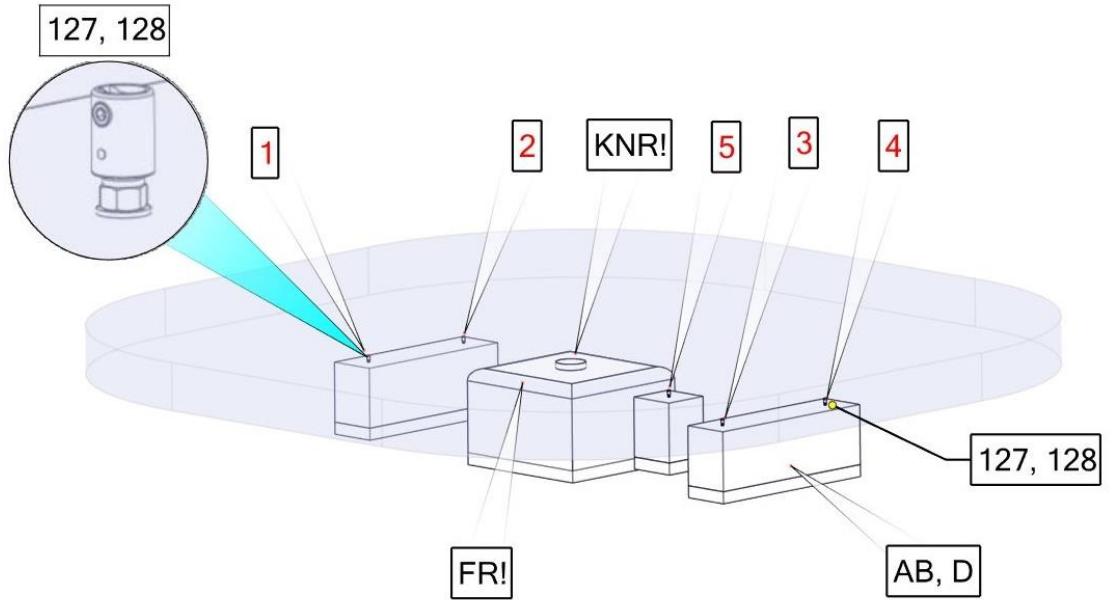


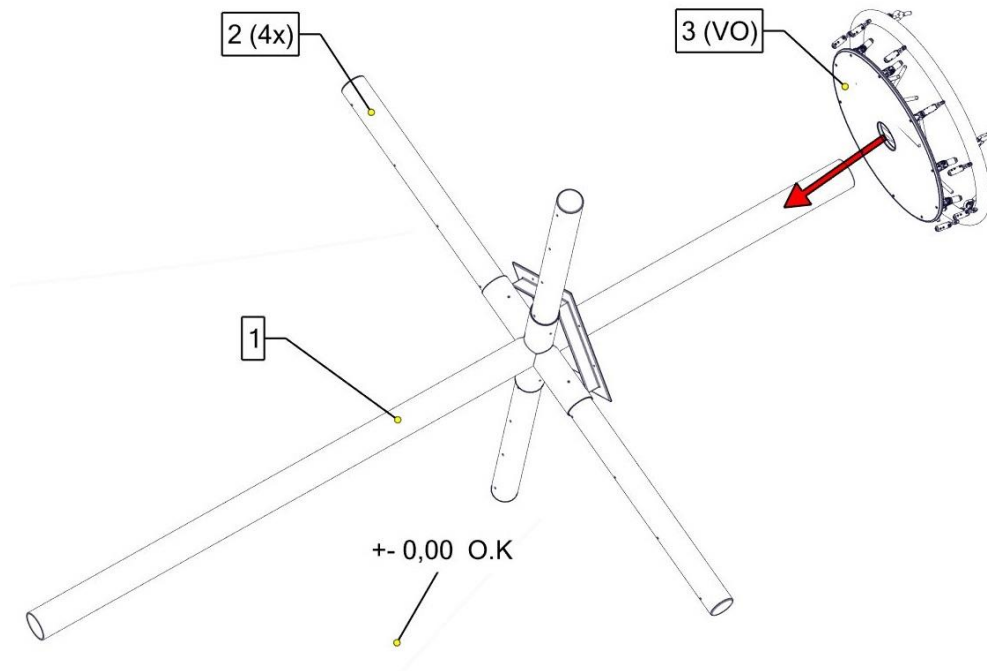
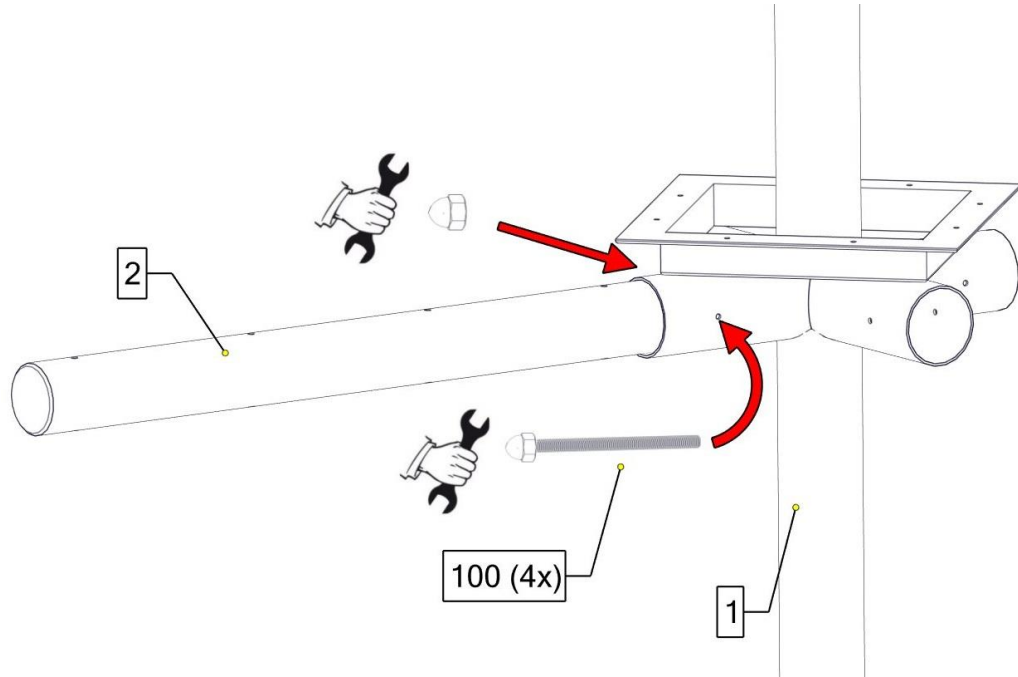
A to D mark the alignment of the glue beams.

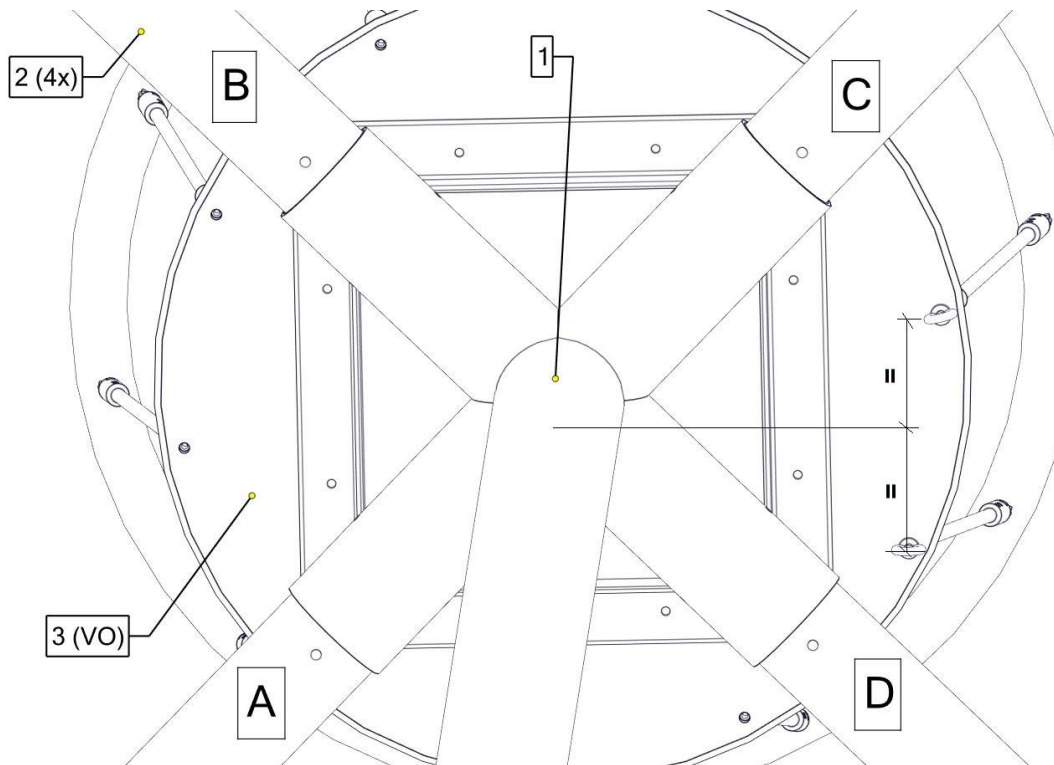
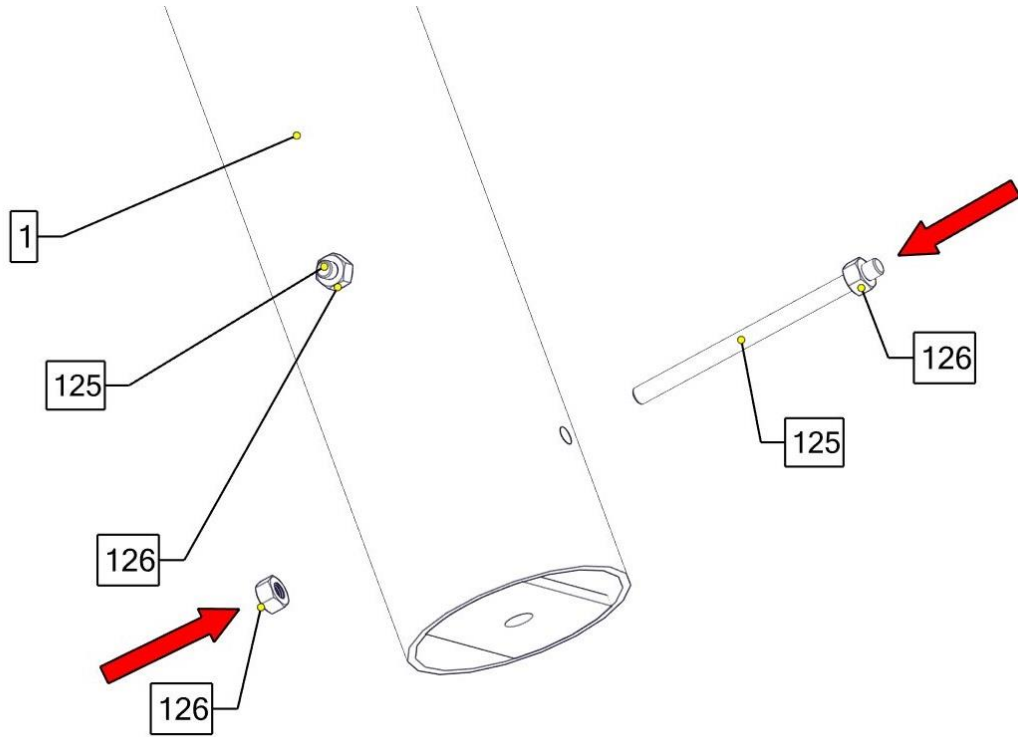
Because of the orientation of the foundations, the order is to be observed.

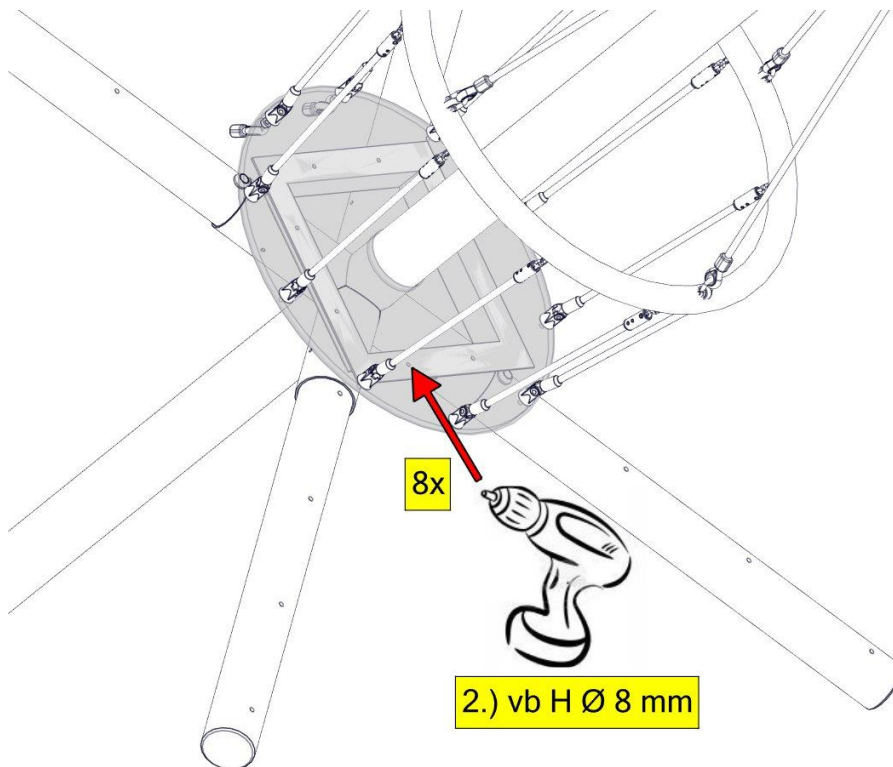
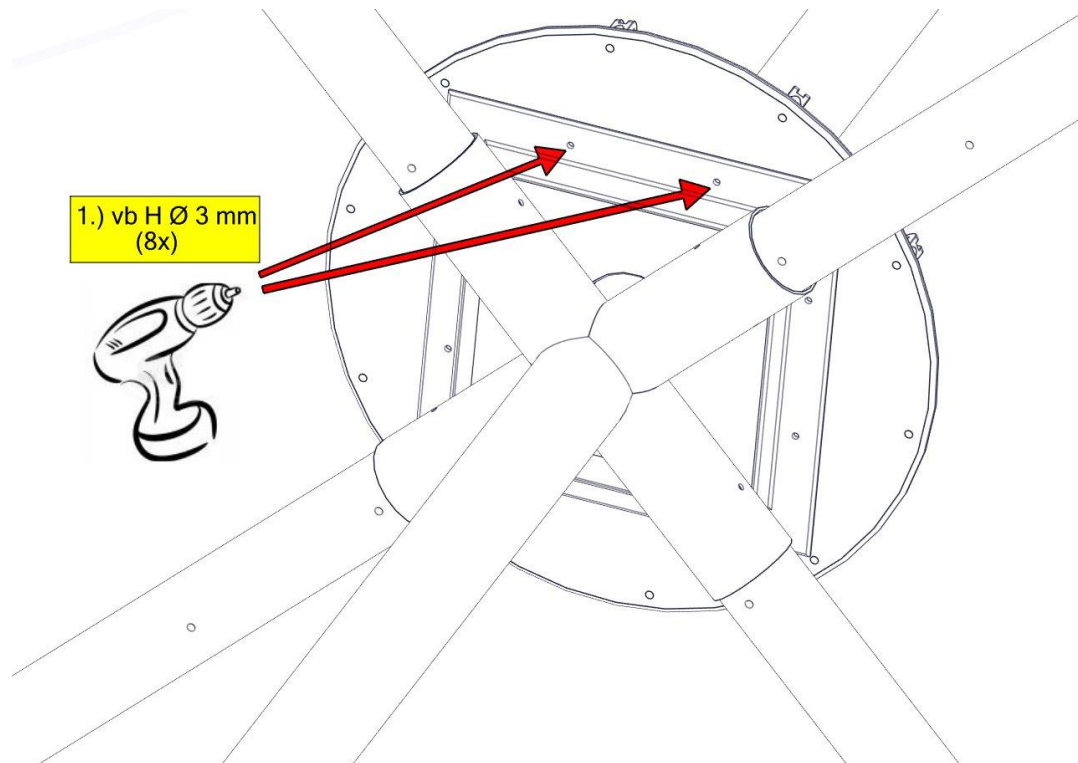


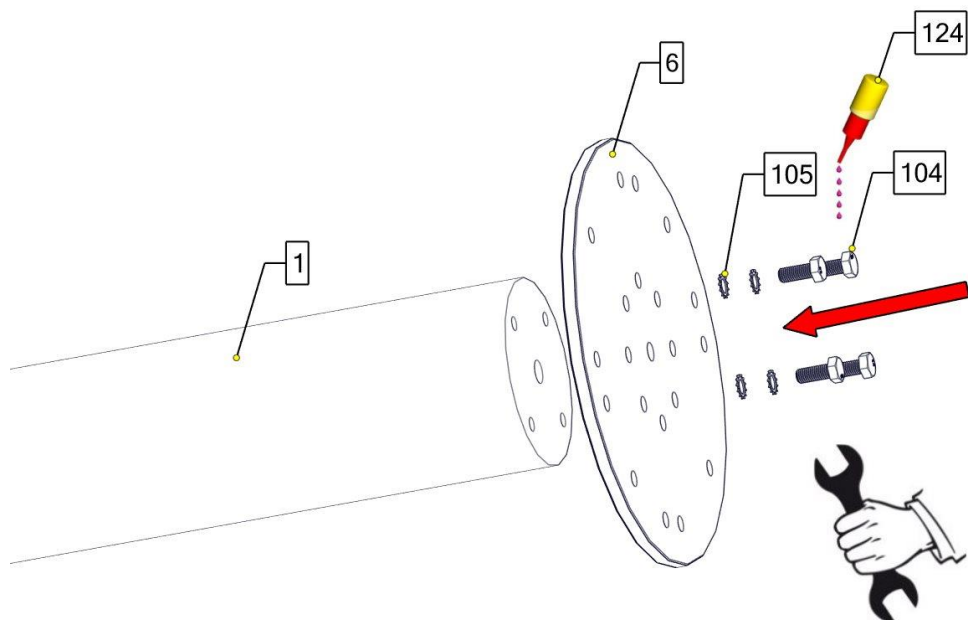
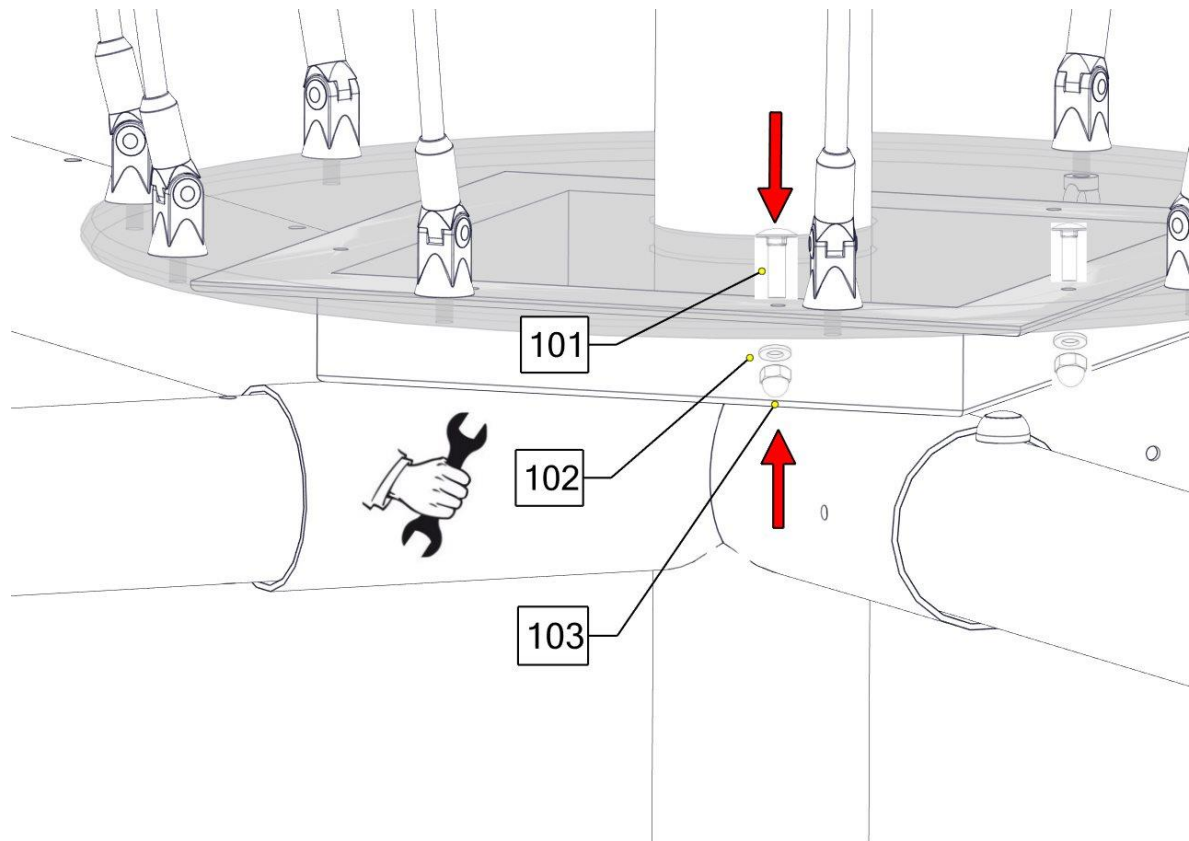


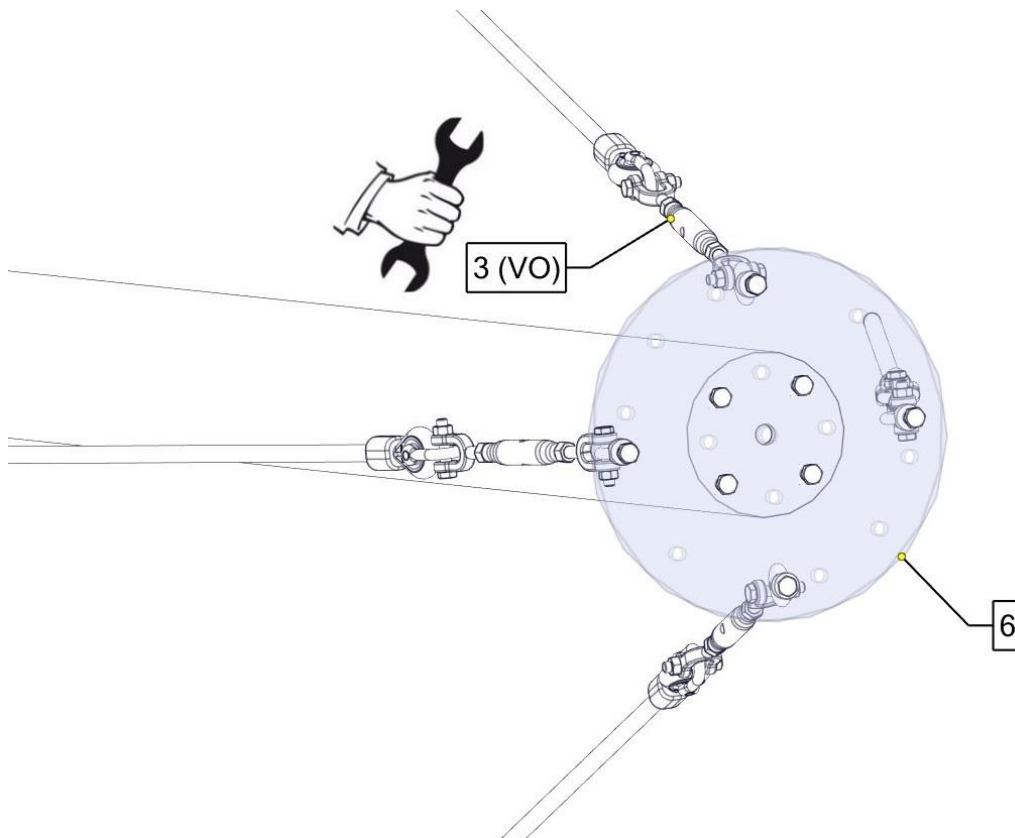
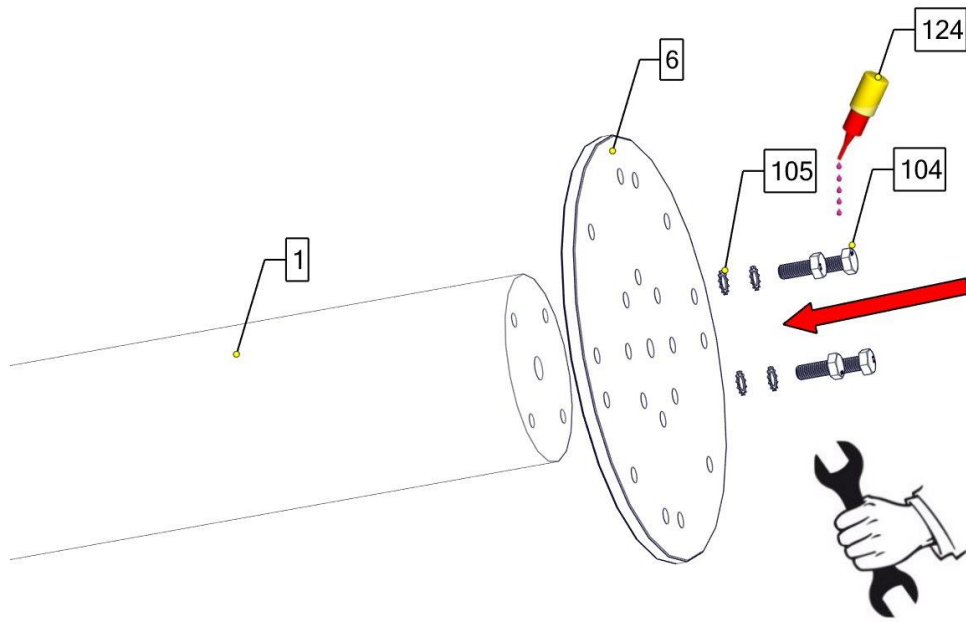


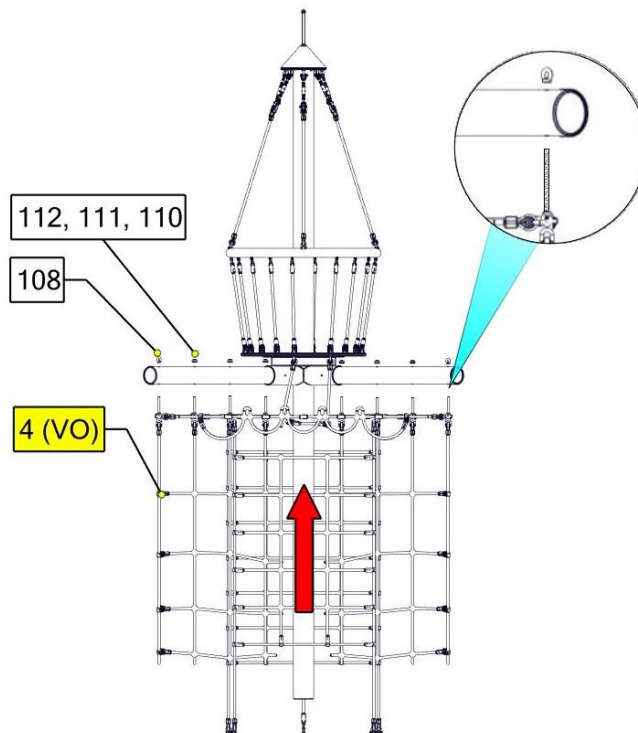
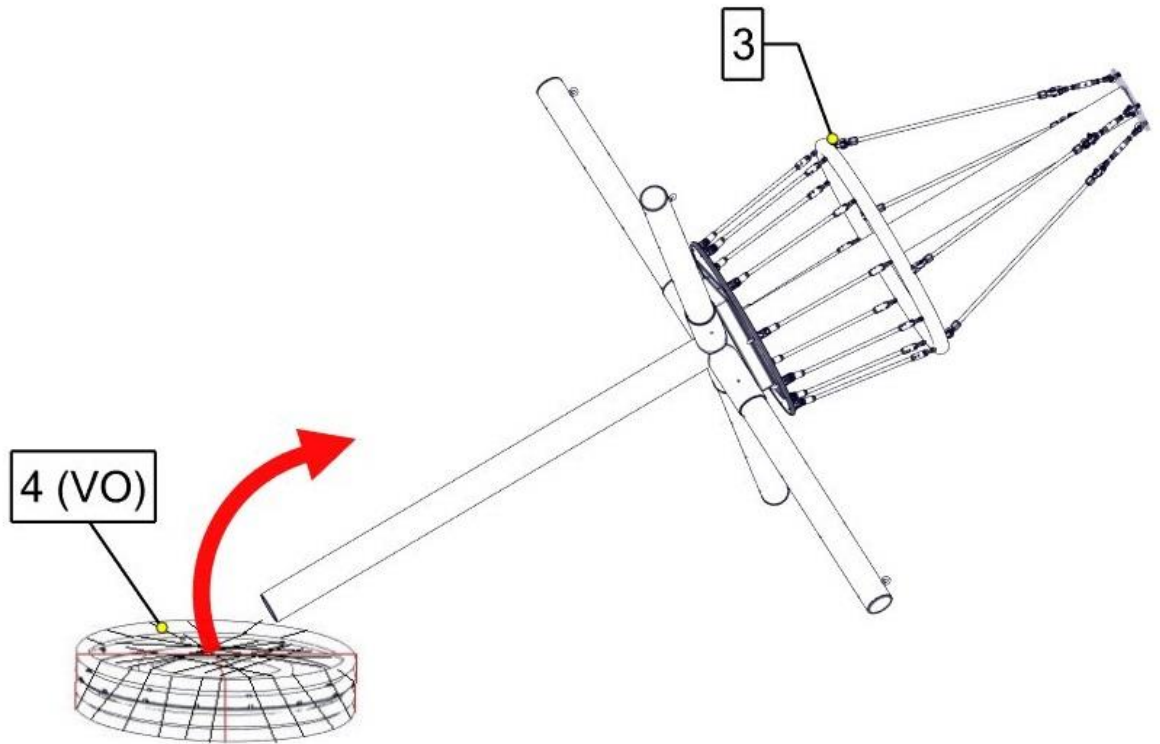


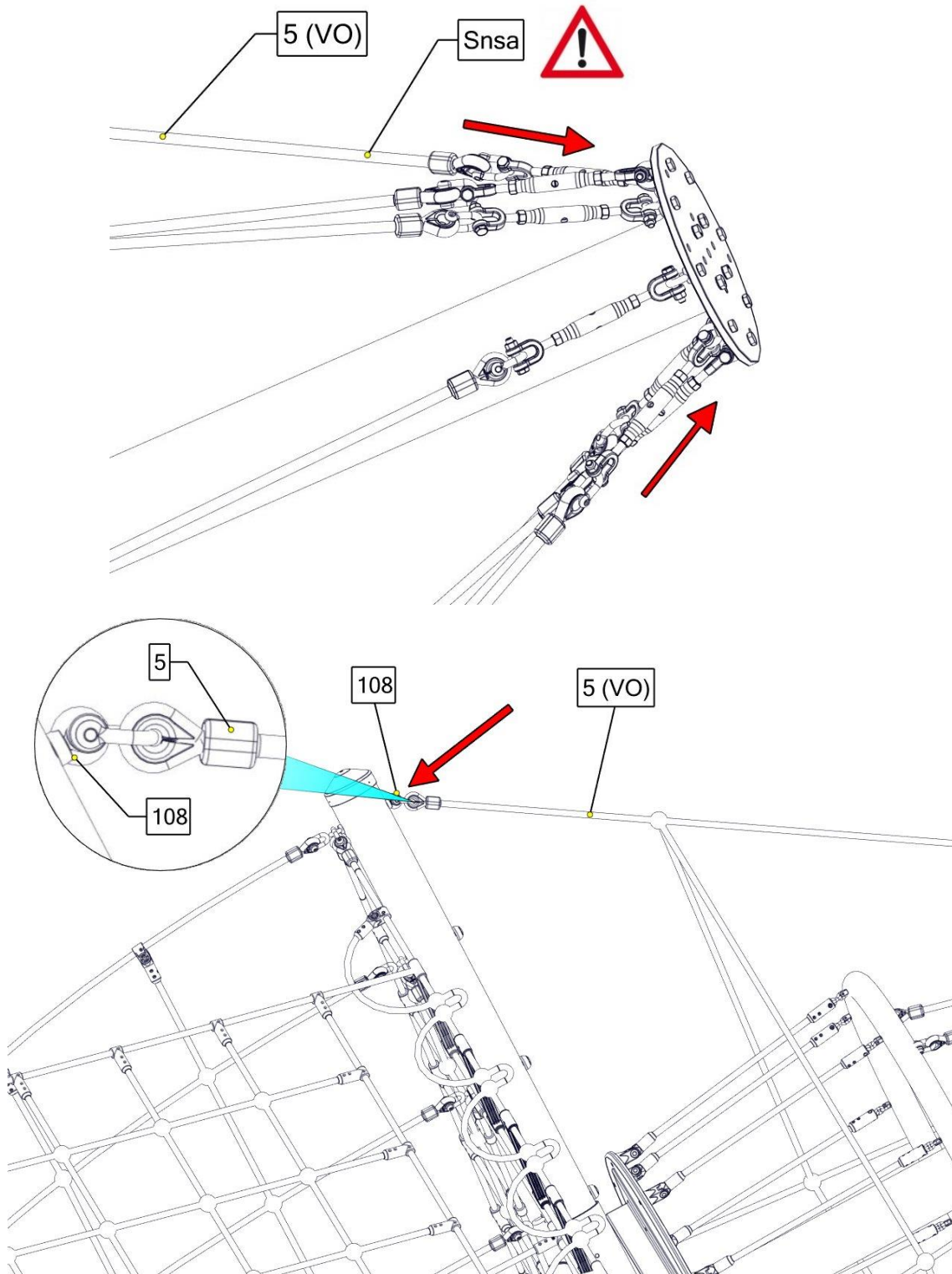


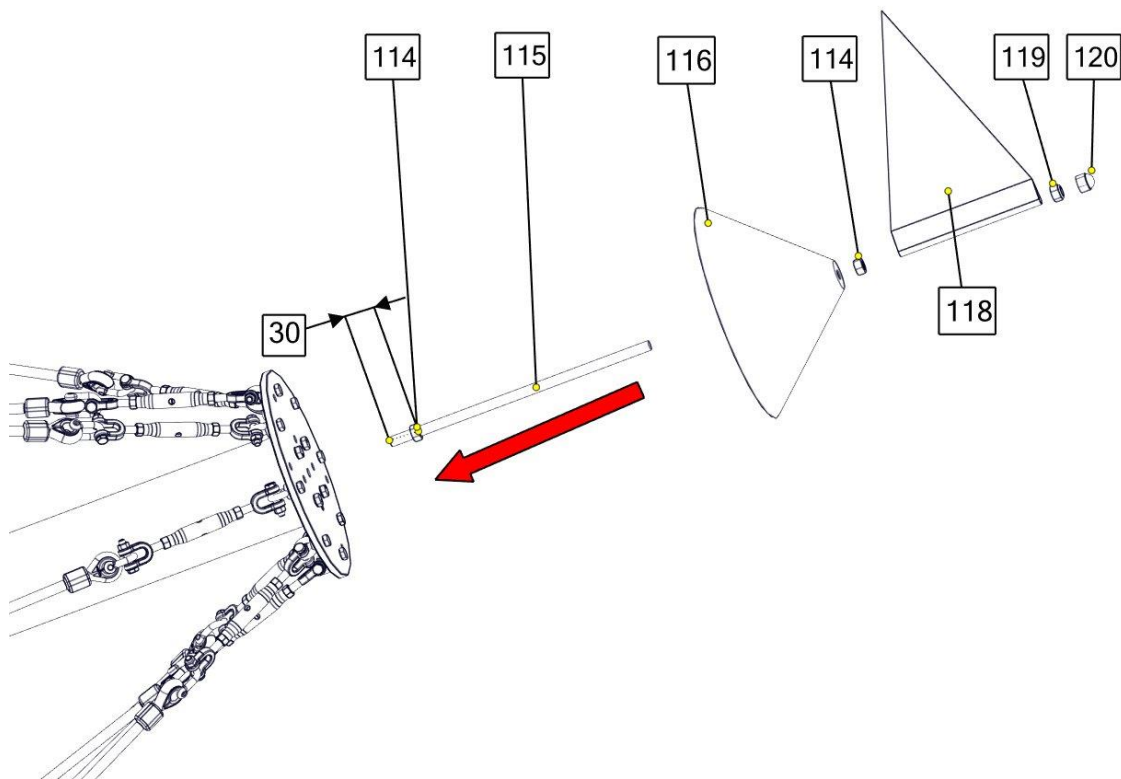
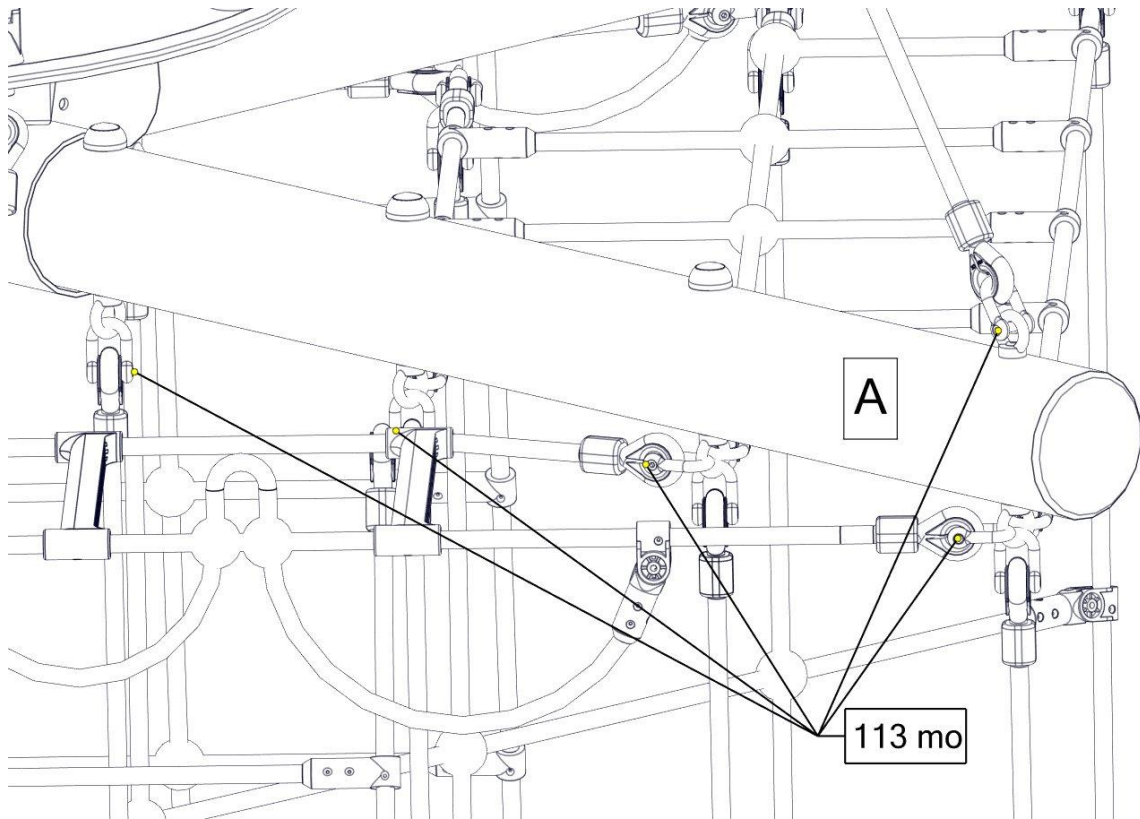


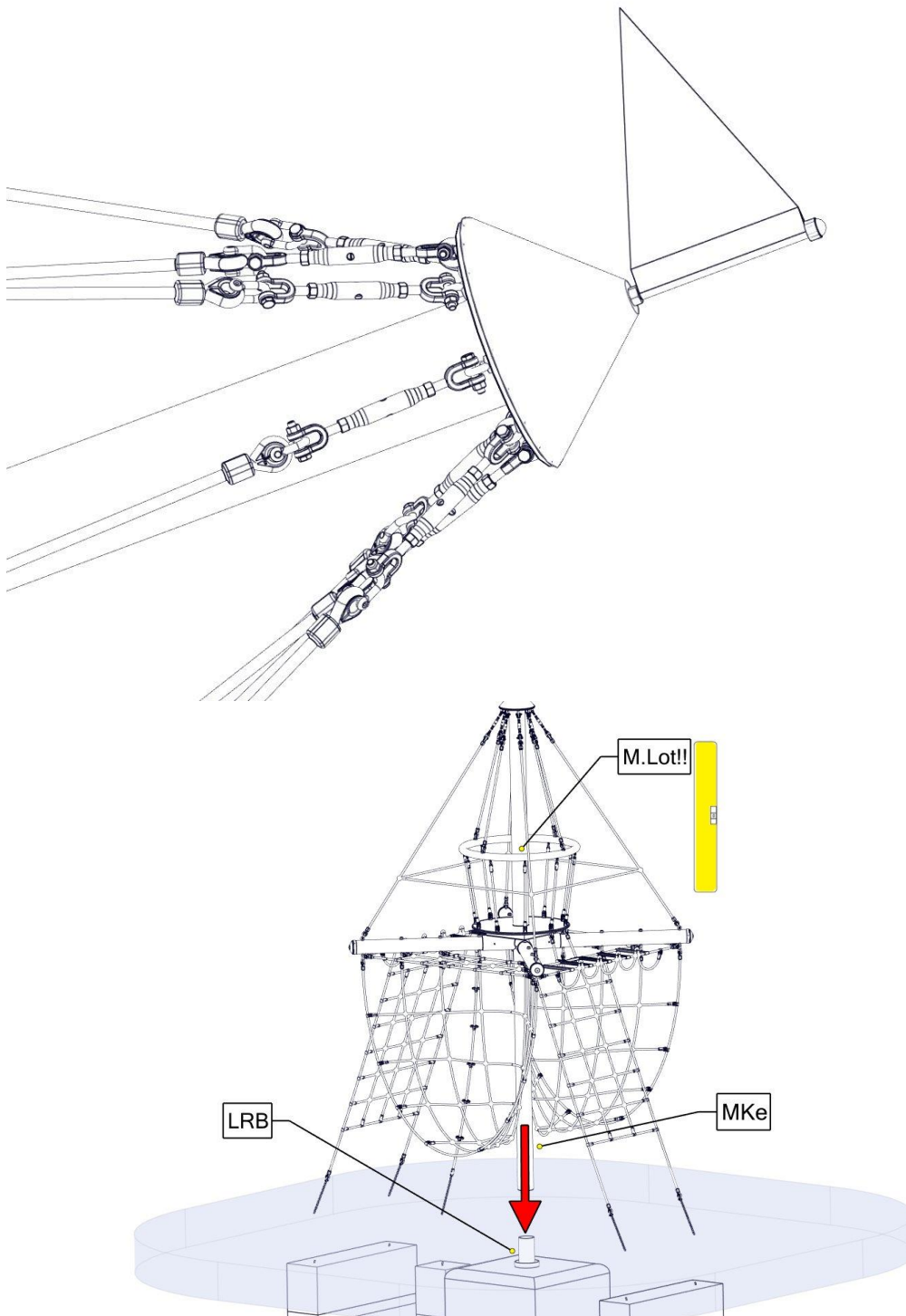


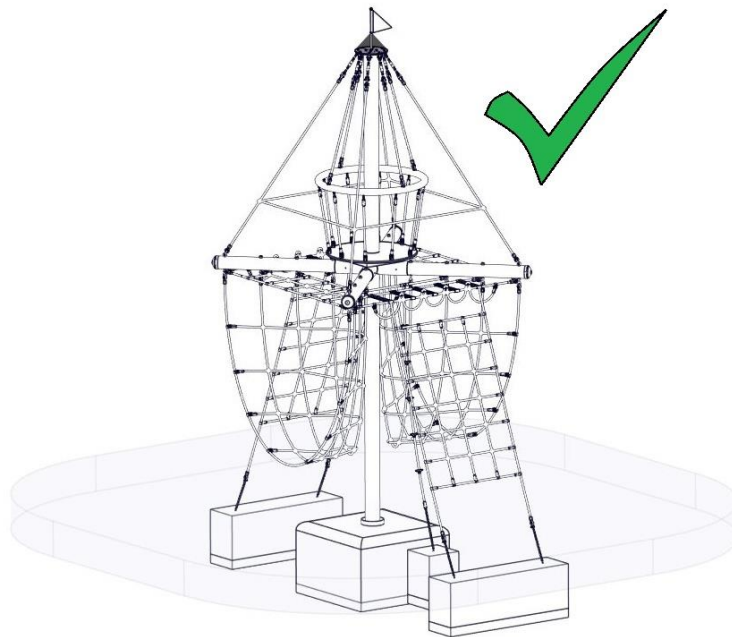
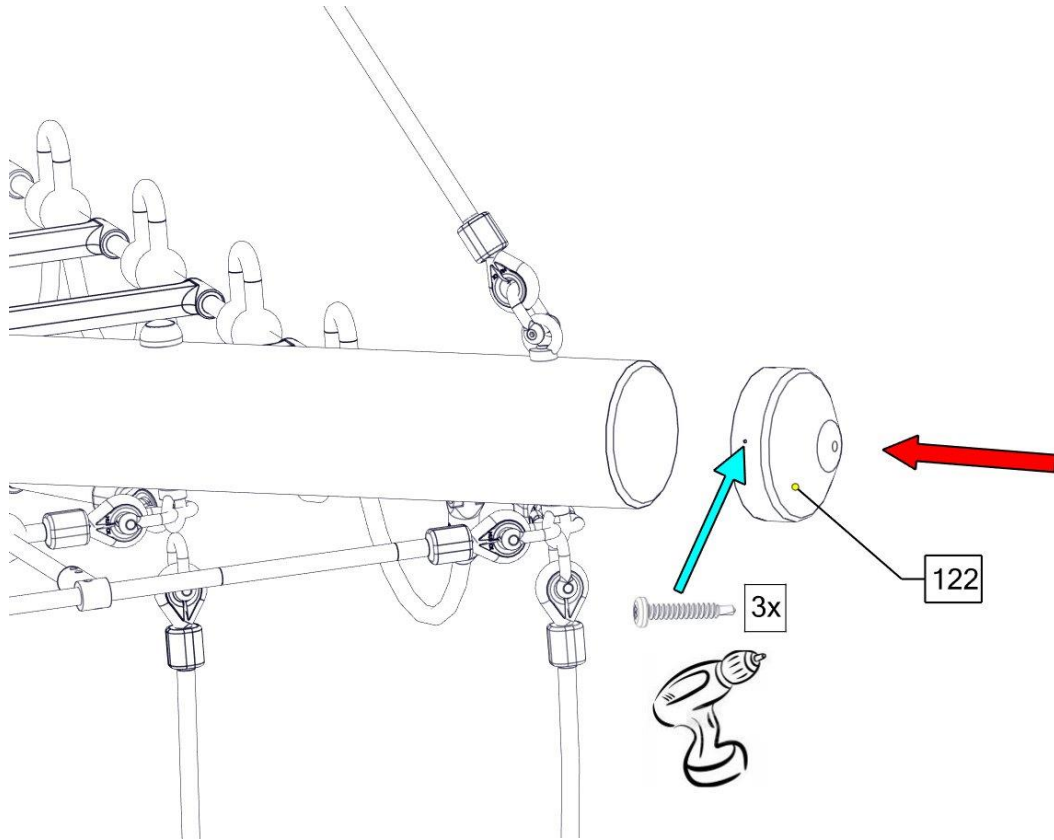












5 Post installation checks



Notice

If the equipment has not been installed safely, you must ensure that the public is prevented from using it.

5.1 Marking filler depth

Labelling the posts to show the depth of material provided as fall protection (i.e. loose filler).

5.2 The equipment has not been installed safely in the following cases:

- Safe equipment installation is not complete.
- The protective surface has not been installed yet.
- Appropriate maintenance work cannot guarantee operational safety.

5.3 Removal of all assembly aids

Please make sure that all assembly aids have been removed from the playing area. The equipment must not be approved for use until this check has been made.

5.4 Information about inspection of the equipment before it is used for the first time

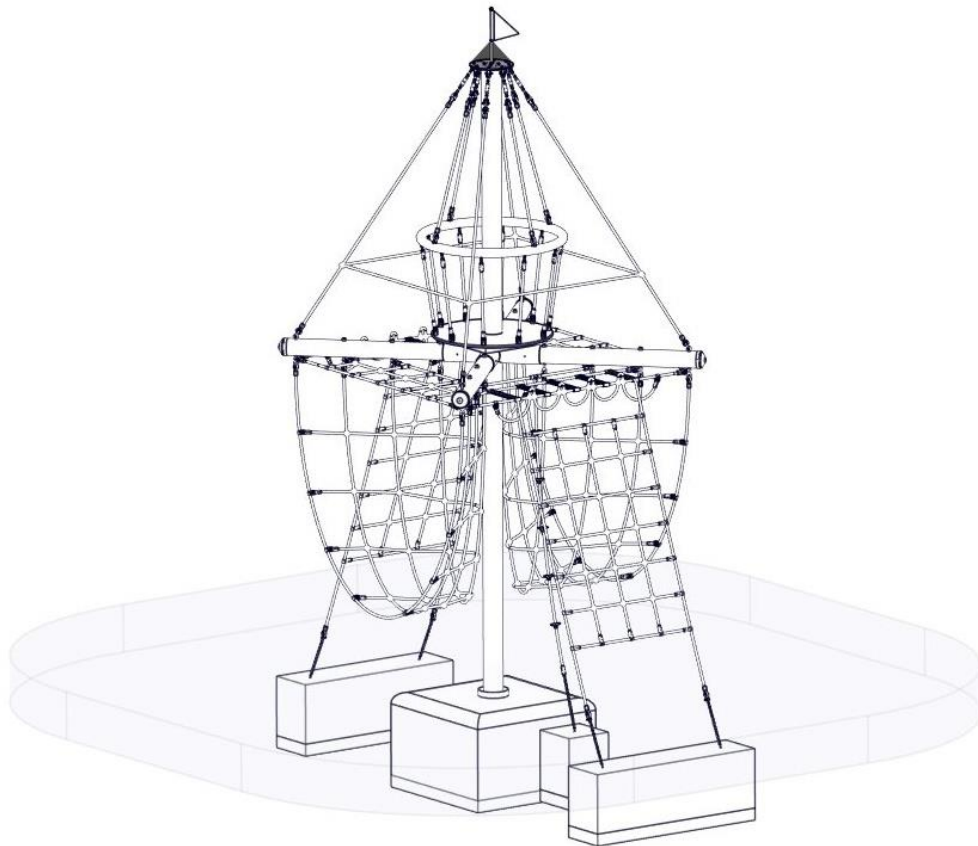
There are no special inspection requirements to be met before the equipment is used for the first time.

5.5 Retighten bolts

After one week of play, please retighten all bolts again. Later upon respective maintenance.

.

B Maintenance instructions **“Störtebeker” pirate tower Art.-No.4687-20**



Revisionshistorie

Revision 0 – 2010-09-01

Erste freigegebene Version

Montageanleitung

Revision 04– 2021-04-16

neue Form der Anleitung FH

Alle Rechte vorbehalten

© Copyright 2005 Huck Seiltechnik GmbH

6 Introduction Maintenance

6.1 General informations

This equipment should be installed, inspected, maintained and operated in accordance with EN 1176-7 guidelines.



Notice

Please note: Providing any necessary repairs are carried out, a piece of play equipment that is inspected regularly cannot become so damaged that it is dangerous.

Any spare parts which may be required can be obtained directly from your supplier or from Fa. Huck Seiltechnik GmbH

Adress: Huck Seiltechnik GmbH
Dillerberg 3
D-35614 Asslar/Berghausen
Tel. +49 6443 83 11-0
Fax +49 6443 83 11-79



This equipment should only be assembled, maintained and repaired by **persons with the necessary expertise.**

A copy of the inspection record should be given to the operator, who must confirm receipt.

**This maintenance instruction is based on the standard
“EN 1176-1:2017”.**

7 General maintenance information

7.1 Maintenance intervals

Maintenance intervals are based on average use. Please note that more frequent inspections and/or maintenance are required if the play equipment is subject to intensive use.

7.2 Inspection frequency

The frequency of inspections must be based on actual use. Factors that affect frequency include vandalism, location (e.g. coastal proximity), air pollution and the age of the equipment.

7.3 Maintenance products and procedures

All nuts and bolts are hot-dip galvanised or stainless steel. One of the characteristics of stainless steel is that uncontrolled cold welding may occur when the nuts are tightened. To prevent this, it is necessary to spray the nuts and bolts with Teflon spray or another similar lubricant.

7.4 Spare parts

All spare parts must conform to the manufacturer's specifications.

7.5 Identifying spare parts

All spare parts are listed in the parts list. The parts list follows the installation requirements.

7.6 Special instructions for the disposal of individual equipment components

No special instructions are necessary for the disposal of individual equipment components.

7.7 Special measures during the break-in period

No later than 2 weeks after assembly, all screwed connections should be checked and tightened if necessary.

7.8 Maintenance of protective surfaces

Surfaces providing fall protection must also be maintained regularly. It is particularly important to maintain the correct level of loose surface material and add more if necessary.

7.9 Faults



Faults must be repaired as soon as they are detected. If serious defects that compromise safety cannot be repaired straight away, the public must be prevented from using the equipment with immediate effect.

7.10 Loose screws



Loose screws always cause quality problems and put safety at risk. Therefore, loose screws should always be tightened and checks carried out to ensure that there are no missing screws (e.g. look out for holes you can see through).

7.11 Preventing equipment use

Use of the equipment should be prevented in the event of incomplete installation, disassembly, maintenance, repairs and faults.

7.12 Claims/liability for faults

Steel posts and footings are guaranteed if regular maintenance is carried out and recorded in writing. Our general terms and conditions apply. Maintenance first takes place after 3 years. The steel posts must be excavated as far as the concrete foundations and checked for corrosion.

Zinc paint should be applied to any corroded areas and scratches. Check ropes for abrasion. Retreat any that are very worn.

8 Maintenance timetable

8.1 Special advices

8.1.1 Maintenance interval

We strongly advise you to carry out inspections and maintenance work within the specified periods as use of the equipment, the weather and malicious vandalism cause wear and tear that compromises the safety and function of the equipment.

8.1.2 Maintenance intervals in the event of intensive use

Please note that more frequent inspections and/or maintenance are required if the play equipment is subject to intensive use.

8.1.3 Faults that compromise safety



Notice

In the event of a fault that compromises safety, quick action must be taken. This may involve repairing it immediately or shutting down and dismantling the equipment.

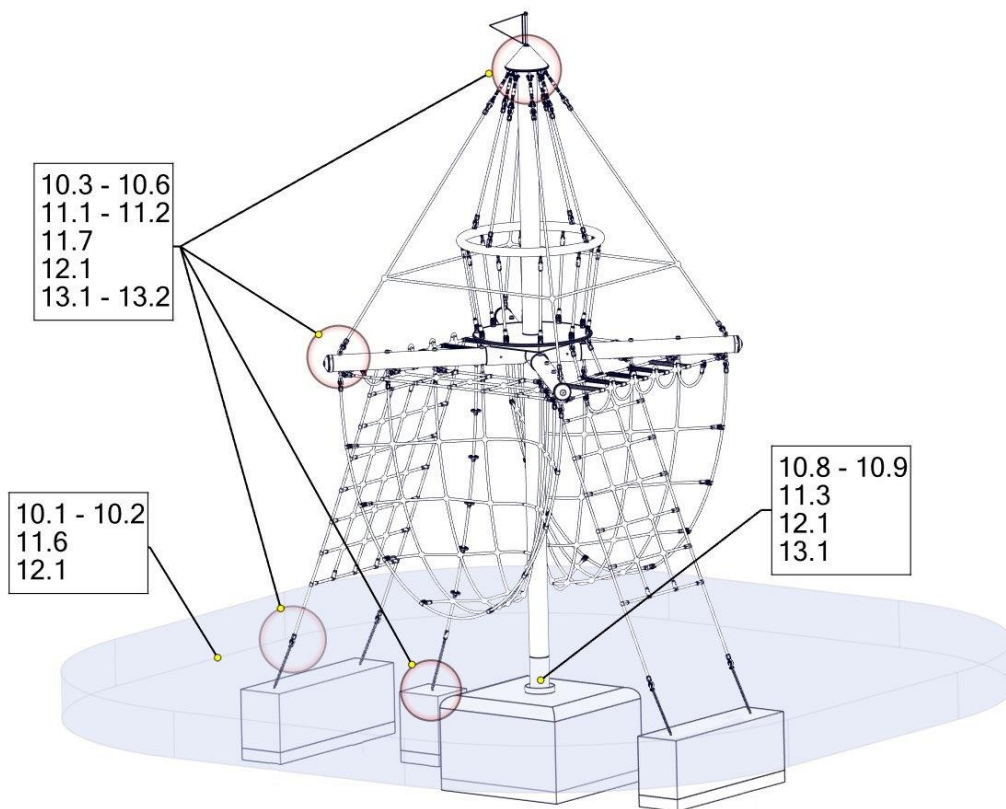
8.1.4 Faults that compromise function



Notice

Faults that compromise function should also be repaired immediately. Such faults lower the value of the equipment to the user and encourage malicious vandalism, which may render the equipment less safe. Any damage should also be repaired immediately.

9 Regular maintenance



Regular maintenance

10 Monthly maintenance

- 10.1 Check the spaces between the equipment and the ground (clearance and height of fall).**
- 10.2 Check the ground surface in the area with fall protection for hard objects and loose foundations.**
- 10.3 Check all connecting elements and fittings for wear and tear and tighten if necessary. Replace damaged or missing parts.**
- 10.4 Check that moving metal parts (joints, springs, etc.) move smoothly and are not worn. Replace if necessary. It is not necessary to lubricate joints as we only use maintenance-free metal roller bearings.**
- 10.5 Check all attachments such as chains, ropes, nets, etc. for damage and replace if necessary.**
- 10.6 Check rubber parts, sleeves, etc. for wear and tear or damage and replace if necessary.**
- 10.7 If necessary, remove excess padding material from the post footings due to danger of rotting.**
- 10.8 Check the surface of wooden parts for damage caused by the weather or external influences and mould. Repair or replace if necessary.**
- 10.9 Check the surface of plastic and metal parts, e.g. slides, for damage and replace if necessary.**

11 Quarterly maintenance

- 11.1 Detailed inspection of the operation and stability of the equipment paying particular attention to any wear and tear.**
- 11.2 Tighten all forms of attachment.**
- 11.3 Repaint and retreat surfaces.**
- 11.4 Maintenance of fall protection surfaces.**
- 11.5 Lubrication of joints.**
- 11.6 Check the height of the fall and top up with loose filler if necessary. If the posts are labelled, top up as far as the mark.**
- 11.7 Retighten all bolts**

12 Half yearly maintenance

- 12.1 **Stability (check posts, bracing, foundations, etc.).** Ascertaining whether there are any changes in equipment safety as a result of repairs that have been carried out or components that have been added or replaced.

 Attention	<h1>Annual Maintenance</h1>
--	-----------------------------

13 Annual maintenance

- 13.1 **Ascertaining that the equipment, foundations and surfaces are safe for operation.**
- 13.2 **In particular, the equipment should be checked for decay and corrosion. It may be necessary to dig out or excavate certain components in order to do so. Zinc paint should be applied to corroded areas and scratches.**



The equipment must be inspected by someone **with the necessary expertise** in strict compliance with the instructions issued by Huck Seiltechnik GmbH.

A copy of the inspection record should be given to the operator, who must confirm receipt.

14 Maintenance printout

Name of item: "Störtebeker" pirate tower Art.-No. 4687-20

Location: _____

Customer or operator: _____
 (Town, Town council, Kindergarten)

Date of inspection	Inspector	O.K.	Accessible	Barriered	Defects	Repaired by	Date

**Please copy and return once a year after main inspection has been carried out to the manufacturer by Telefax +49 6443 83 11-79
 Place the confirmation form in your existing play equipment files.**

15 Hand over document



After the installation of the equipment pass the installation and maintenance documents to the operator. The operator has to receive the hand over documents. The complete filled and signed hand over document should be sent to the supplier Huck Seiltechnik GmbH per Telefax +49 6443 8311-79

Art.-No.: 4687-20
Type of item: "Störtebeker" pirate tower

Customer or operator (Town, Town council, Kindergarten, etc.):

Competent person in charge:

Installation company (address):

Responsible assistant (assembler):

Received the complete assembly instructions, maintenance instructions and maintenance printout,

(Signature of operator)
(Stamp)

(Signature of installation company)

Date: _____